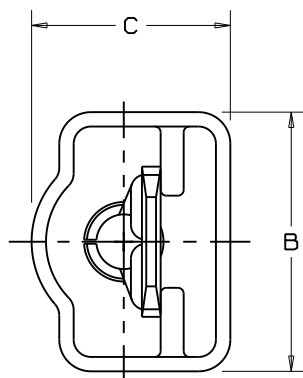
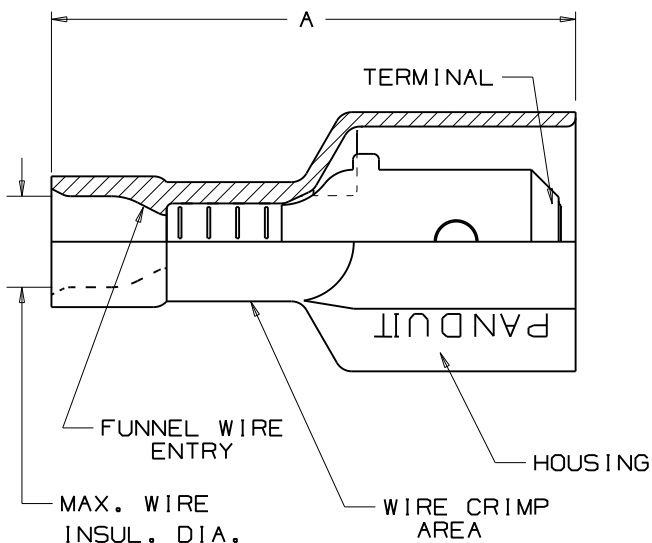


NOTES:

- UL LISTED AND CSA CERTIFIED FOR:
 - A. 600V MAX VOLTAGE RATING
 - B. 221° F (105 C) MAX TEMP. RATING (CSA)
 - C. 257° F (125°C) MAX TEMP. RATING (UL)
 - D. STRANDED COPPER WIRE ONLY.
- MATERIAL:
 - A. STAMPING- BRASS, NICKEL PLATED
 - COPPER, NICKEL PLATED (FOR DNF10-250F1MB)
 - B. HOUSING-TYPE 6/6 NYLON
- DIMENSIONS IN BRACKETS ARE IN mm OR mm²
- COLORS ARE TRANSLUCENT
- PACKAGE QTY. -L=50
-D=500
- WIRE STRIP LENGTH: $9/32^{+1/32}_{-0}$ (7.1^{+0.8}₋₀)
 $3/8^{+1/32}_{-0}$ (9.5^{+0.8}₋₀)
(FOR DNF10-250F1MB)



LISTED
20H3
E78522



CERTIFIED
LR31212

PART NUMBER	TAB SIZE	WIRE RANGE AWG (mm ²)	COLOR (note 4)	MAX. INSUL.	DIMENSIONS in			CRIMP TOOLS
					A ±.03	B ±.01	C ±.01	
DNF18-250F1MB	.250 X .032 (6,3 X 0,8)	22-18 (1,5-1,0)	RED	.136 (3,45)	.91 (23,1)	.45 (11,4)	.34 (8,6)	CT-520 CT-1525
DNF14-250F1MB	.250 X .032 (6,3 X 0,8)	16-14 (1,5-2,5)	BLUE	.160 (4,06)	.91 (23,1)	.45 (11,4)	.34 (8,6)	
DNF10-250F1MB	.250 X .032 (6,3 X 0,8)	12-10 (4,0-6,0)	YELLOW	.220 (5,59)	.96 (24,4)	.45 (11,4)	.36 (9,1)	CT-1550 CT-1551

REV	DATE	BY	DESCRIPTION
12	07/10	SRB	Corrected tab size for DNF10-250F1MB

PANDUIT CORP.

TINLEY PARK, ILLINOIS

LOOSE PC. FULLY INSULATED UNI-MALE DISCONNECT
.250 X .032

DRAWN BY JV	CHK'D	SCALE <i>[Signature]</i>	DRAWING NO. A41402
----------------	-------	-----------------------------	-----------------------