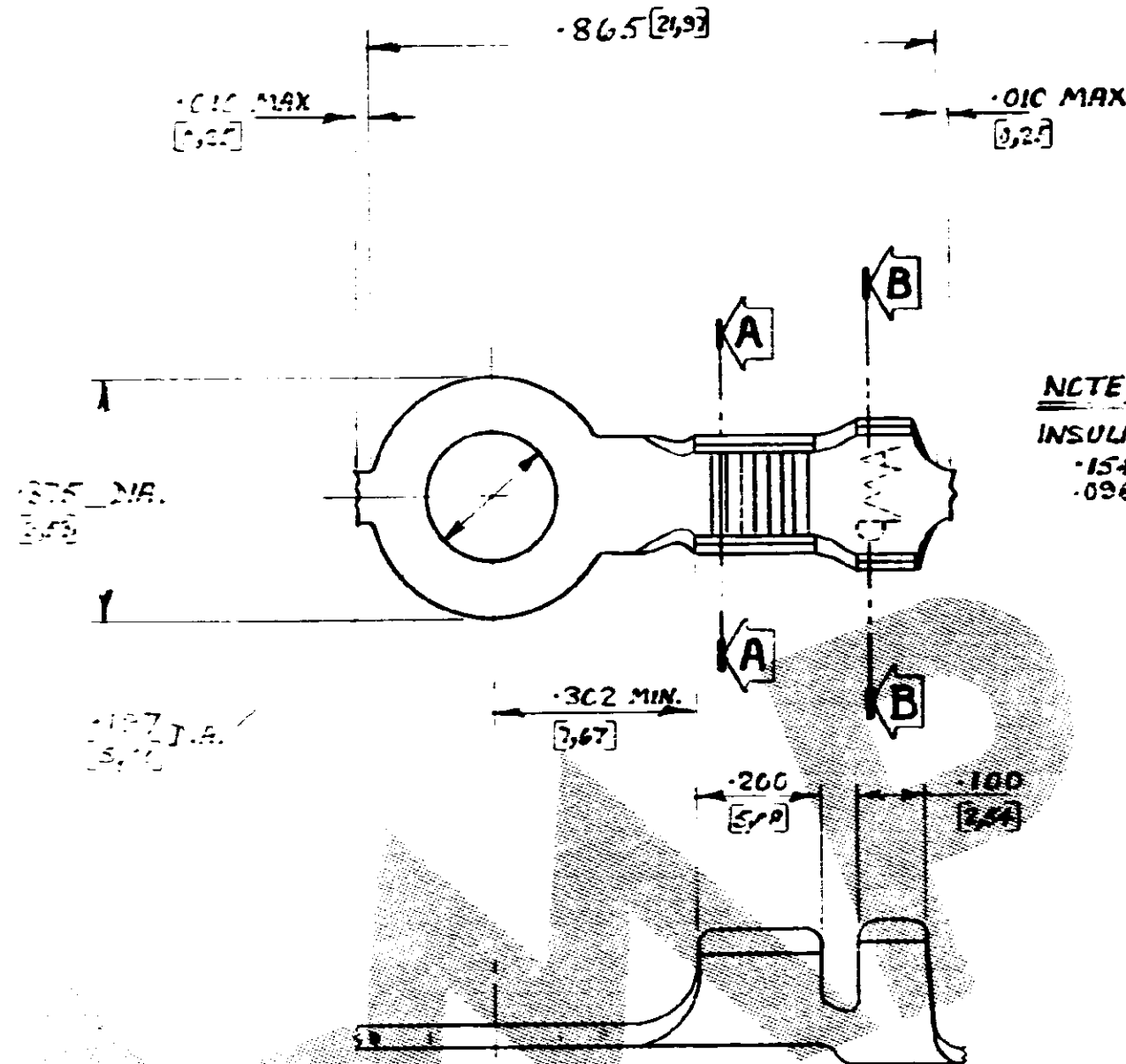
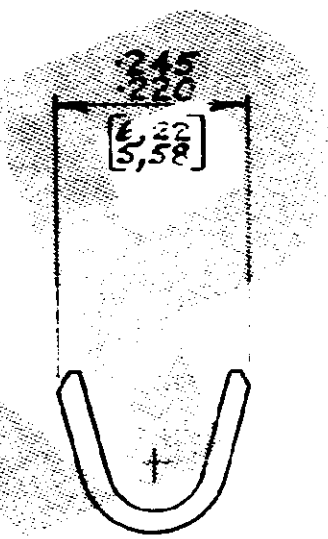


DUNBETH C. 341350



NOTE:
INSULATION RANGE
 $.154 [3.91]$
 $.098 [2.49]$



WAS CP 78-13179

341350-4	BRASS	TIN	.024 [0.61]			
341350-5	STEEL	NICKEL	.024 [0.61]			
341350-2	STEEL	TIN	.024 [0.61]			
341350-1	BRASS	NONE	.024 [0.61]			
PART NUMBER	MATERIAL	FINISH	MAT. THK.	REMARKS		
E	OBSOLETE			© AMP of GREAT BRITAIN LTD 1979 MATERIAL AND FINISH AMP of Great Britain Ltd TERMINAL HOUSE, STANMORE, MIDD.		
D	-3 OBSOLETE					
C	1975, 1976, 1977					
B	INSULATION .098-.154 WAS .120					
A	RE-DRAWN					
	REFERENCE PARTS.					
ISS REVISION RECORD				DR	CHK	DATE
DR J. CREW				DE		
CHK				APP		
WIRE - RANGE - INSULATION			SCALE	LOC	NO	
18-14 AS STATED			4:1	E	B	C.341350
TOLERANCE EXCEPT AS NOTED						
.015 [0.38] ± 1° 0'						
NAME						
RING TONGUE TERMINAL BODY						