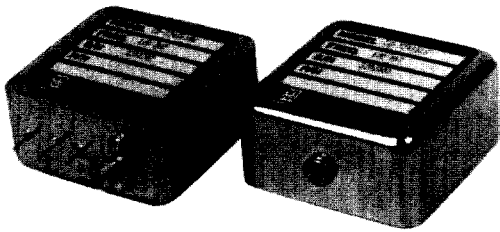


Size Reduced PC Board Mount VHF OCXOS

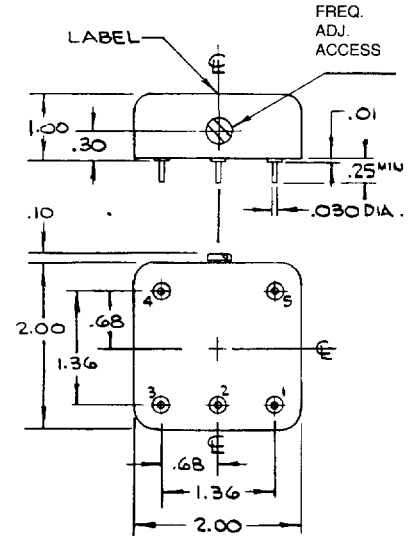
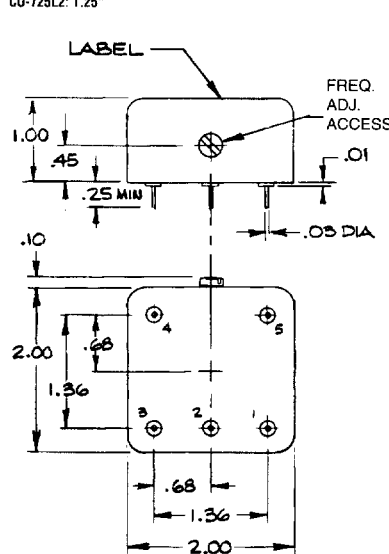
**CO-724/724S Series
CO-725/725S Series**

**CO-724, CO-724S,
CO-725, CO-725S,
CO-725L2, CO-725SL2**

**CO-724L2 (L2 only)
CO-724SL2 (SL2 only)
(to 200 MHz)**



CO-724: 1.00" to 150 MHz
1.25" >150 MHz
CO-725: 1.25"
CO-725L2: 1.25"



Note: Dimensions in inches

Features

- Frequencies from 25 MHz to 400 MHz
- Size Reduced, PC Board Mount Design
- Low Phase Noise Option
- AT and SC/IT Cut Crystal
- SMA connector available

SPECIFICATIONS

	Lowest Noise		Highest Stability			
	CO-724 SERIES (AT Cut Crystal)	CO-724S SERIES (SC/IT Cut Crystal)	CO-725 SERIES (AT Cut Crystal)	CO-725S SERIES (SC/IT Cut Crystal)		
Frequency	25-400 MHz range		25-200 MHz range			
Temperature Stability (Temp. Range A) +15°C to +35°C	CO-724A38: $\pm 3 \times 10^{-6}$ *CO-724A18: $\pm 1 \times 10^{-6}$	CO-724SA18: $\pm 1 \times 10^{-3}$ *CO-724SA39: $\pm 3 \times 10^{-9}$	CO-725A38: $\pm 3 \times 10^{-8}$ CO-725A29: $\pm 2 \times 10^{-9}$	CO-725SA18: $\pm 1 \times 10^{-8}$ CO-725SA19: $\pm 1 \times 10^{-9}$		
(Temp. Range B) 0°C to +50°C	CO-724B58: $\pm 5 \times 10^{-6}$ *CO-724B28: $\pm 2 \times 10^{-6}$	CO-724SB28: $\pm 2 \times 10^{-3}$ *CO-724SB59: $\pm 5 \times 10^{-9}$	CO-725B58: $\pm 5 \times 10^{-8}$ CO-725B59: $\pm 5 \times 10^{-9}$	CO-725SB28: $\pm 2 \times 10^{-8}$ CO-725SB29: $\pm 2 \times 10^{-9}$		
(Temp. Range D) -20°C to +70°C	CO-724D17: $\pm 1 \times 10^{-7}$ *CO-724D58: $\pm 5 \times 10^{-6}$	CO-724SD58: $\pm 5 \times 10^{-3}$ *CO-724SD18: $\pm 1 \times 10^{-9}$	CO-725D17: $\pm 1 \times 10^{-7}$ CO-725D28: $\pm 2 \times 10^{-8}$	CO-725SD58: $\pm 5 \times 10^{-8}$ CO-725SD59: $\pm 5 \times 10^{-9}$		
(Temp. Range G) -55°C to +75°C	CO-724G37: $\pm 3 \times 10^{-7}$ *CO-724G17: $\pm 1 \times 10^{-7}$	CO-724SG17: $\pm 1 \times 10^{-7}$ *CO-724SG38: $\pm 3 \times 10^{-6}$	CO-725G37: $\pm 3 \times 10^{-7}$ *CO-725G38: $\pm 3 \times 10^{-8}$	CO-725SG17: $\pm 1 \times 10^{-7}$ *CO-725SG28: $\pm 2 \times 10^{-8}$		
(Temp. Range F) -55°C to +85°C	*Not available with L2 option CO-724SF27: $\pm 2 \times 10^{-7}$ *CO-724SF58: $\pm 5 \times 10^{-8}$		*Not available with L2 option *CO-725SF27: $\pm 2 \times 10^{-7}$ *CO-725SF38: $\pm 3 \times 10^{-8}$			
Aging	Standard: 1×10^{-9} /day, (2×10^{-6})/year Optional: 5×10^{-9} /day, (1×10^{-6})/year	2×10^{-6} /day (5×10^{-7})/year	1×10^{-9} /day, (3×10^{-7})/year	** 5×10^{-10} /day (1×10^{-7})/year **Optional 1×10^{-10} /day to 150 MHz		
Output Level	Standard: >0.5 Vrms/50Ω (+7 dBm); +10 dBm optional Optional: HCMOS, TTL (to 70 MHz), ECL (to 400 MHz)		Standard: >0.5 Vrms/50Ω (+7 dBm) Optional: >1 Vrms/50Ω (+13 dBm) to 125 MHz, ECL (to 200MHz)			
Supply Voltage ($\pm 5\%$)	+15 Vdc standard. Operation from any specified voltage in 12-24 Vdc range optional.					
Input Power	<4.5 Watts at turn-on (-20°C to $+70^\circ\text{C}$); <2.5 Watts stabilized at 25°C . Higher power required beyond -20°C to $+70^\circ\text{C}$, lower power for 0°C to $+50^\circ\text{C}$					
Frequency Adjustment	Multi-turn screwdriver adjust. settable to $<1 \times 10^{-8}$ Electronic tuning option "V".					
Size	≤ 150 MHz: $2'' \times 2'' \times 1''$. > 150 MHz: $2'' \times 2'' \times 1.25''$		$2'' \times 2'' \times 1.25''$ (51 x 51 x 32 mm)			
Base	Pins for pcb mounting. Option "W" for SMA connector and terminals on side, studs on base.					
Phase noise (typical) sine output in 75-125 MHz range	Offset	Standard	Option (L2) **	Offset	Standard	Option (L2)
	100 Hz	-115 dBc/Hz	-130 dBc/Hz	100 Hz	-105 dBc/Hz	-120 dBc/Hz
	1 kHz	-130 dBc/Hz	-145 dBc/Hz	1 kHz	-115 dBc/Hz	-135 dBc/Hz
	50 kHz	-145 dBc/Hz	-157 dBc/Hz	50 kHz	-125 dBc/Hz	-140 dBc/Hz

Reduced height available (Contact Factory)