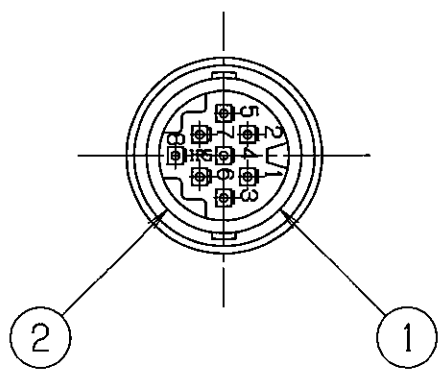
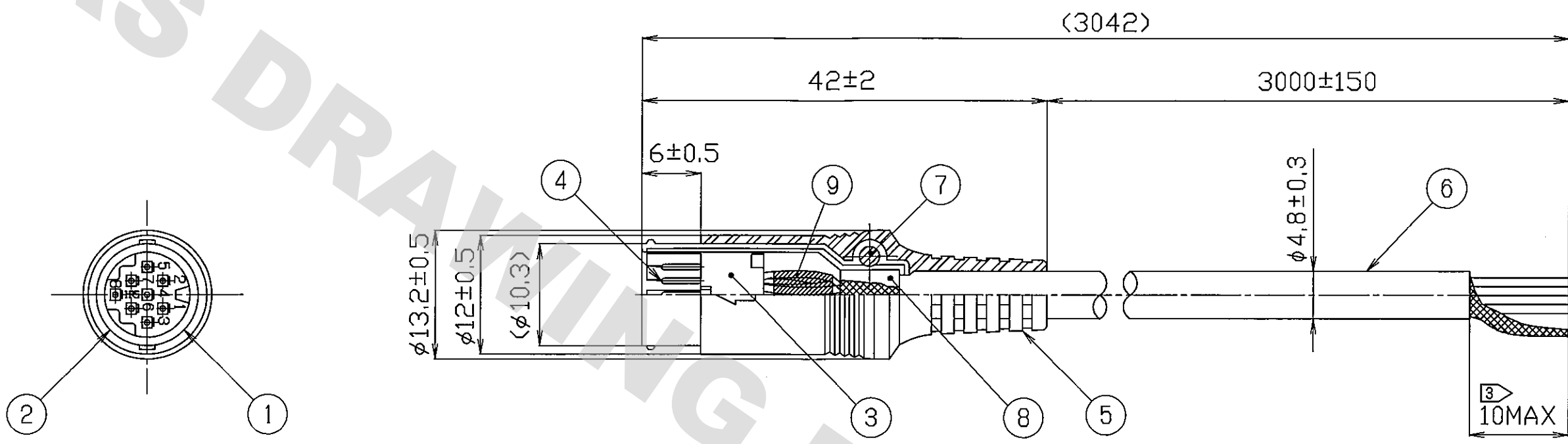


COUNT	DESCRIPTION OF REVISION	BY	CHKD	DATE	COUNT	DESCRIPTION OF REVISION	BY	CHKD	DATE
△					△				
△					△				
△					△				



① TABLE-1 WIRING

CONTACT NO.	READ WIRE COLOR
1	BROWN
2	RED
3	ORANGE
4	YELLOW
5	BLUE
6	GRAY
7	WHITE
8	BLACK
REF NO. ① ②	BRAIDED SHIELD

② TABLE-2 CABLE SPECIFICATIONS

COMPOSITION	
OUTER DIAMETER	φ4.8±0.3
CONDUCTOR	8 CONTACT BRAIDED SHIELD
COMPOSITION	φ0.127/7 (AWG#28)
FINISH	TIN PLATED

NO.	MATERIAL	FINISH , REMARKS	NO.	MATERIAL	FINISH , REMARKS
5	FLEXIBLE POLYVINYL CHLORIDE	(BLACK) UL94V-0			
4	PHOSPHOR BRONZE	TIN PLATED	9		(CLOTH ADHESIVE TAPE)
3	PBT	(BLACK) UL94V-0	8		(CONDUCTIVE TAPE)
2	ZINC ALLOY	NICKEL PLATED	7	STEEL	NICKEL PLATED
1	ZINC ALLOY	NICKEL PLATED	6	②	(BLACK) UL2990 SHIELD CABLE, 8 CONTACTS

CODE NO.(OLD)	DRAWN	DESIGNED	CHECKED	APPROVED	RELEASED
CL - -	MOGURA	N.KUDO	S.Hozaki	S.Hozaki	
	'07.07.12	'07.07.12	67.07.12	67.07.12	

SCALE	DRAWING NO.	PART NO.
FREE	EDG3-048055-01	HR212-10P8PSAT3042(71)
UNITS	DRAWING NO.	CODE NO.
mm	EDG3-048055-01	CL112-2221-9-71

NOTES ① WIRING IS SHOWN IN THE TABLE-1.  
 ② CABLE SPECIFICATIONS ARE SHOWN IN THE TABLE-2.  
 ③ 10MAX INDICATES THE DIMENSION FOR ELECTRIC INSPECTION.

DRAWING FOR REFERENCE: This is subject to change without notice 08/11/2012

TO
AMC