

NEW

P2F-17 (1.71 – 1.99 GHz) & P2F-23B (2.29 – 2.5 GHz) Antennas

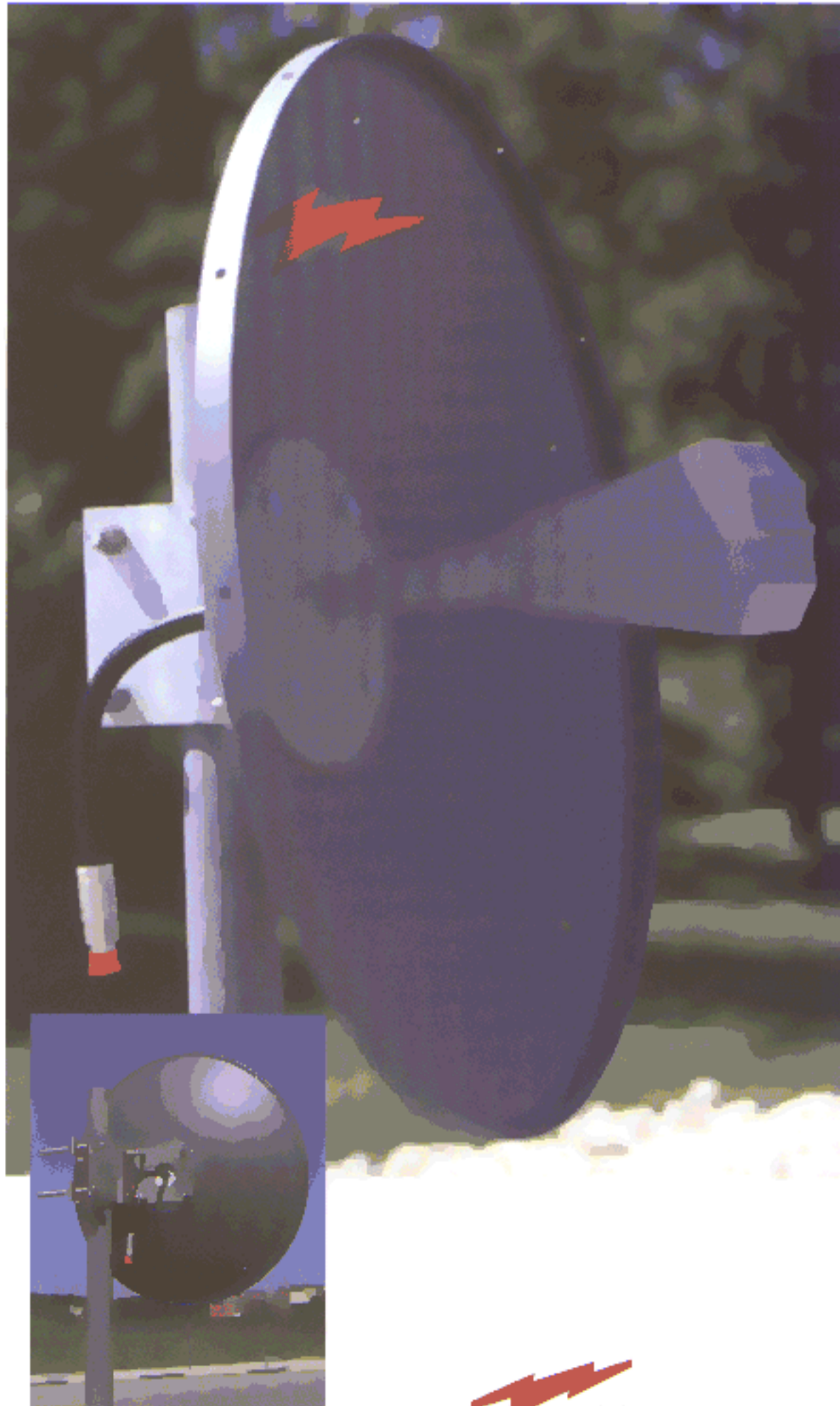
Wide-Beam, Low Windload Antennas for PCS, Spread Spectrum Applications

Now PCS and Spread Spectrum system designers and operators can take advantage of high gain performance and reliable, long term mechanical operation with the P2F-17 and P2F-23B antennas from Andrew Corporation.

The P2F-17 antenna is an excellent choice for coverage of "null fill" areas for PCS. Other applications include site interconnect, back haul, and temporary site testing. The P2F-23B is ideal for backhaul and site interconnect applications in unlicensed radio frequency bands or spread spectrum. These antenna's relatively low frequency provides a consistent, stable signal from fading conditions.

The relatively small size of these antennas allow placement on lighter support structures or on towers where larger diameter antennas would create loading concerns. Although lightweight at only 16 lb, these antennas are rugged enough to meet Andrew Corporation's standard 125 mph (200 km/h) wind survival specification. An optional molded radome allows users in harsh environments to further reduce windloading and provide added protection to the feed. The antennas also use a minimum number of parts to simplify assembly.

- *Type N Female Output*
- *Excellent for PCS, Null Fill, Backhaul, or Site interconnect*
- *Lightweight Feed and Antenna Mount*
- *Radome and Color Options*
- *Single Polarized (Horizontal or Vertical)*
- *Foam Feed & Integrated Jumper Eliminates Pressurization*
- *2.5" (65 mm) through 4.5" (115 mm) Vertical O.D. Pipe*



ANDREW

NEW

P2F-17 (1.71 - 1.99 GHz) & P2F-23B (2.29 - 2.5 GHz) Antennas

Electrical

	Gain (+/- .5 dBi)			3 dB Beamwidth (Degrees)	Cross Polar Discrim. (dB)	F/B Ratio (dB)	Maximum VSWR (RL)	RPE No.
	Bottom	Middle	Top					

P2F-17 Antenna (1.71 - 1.99 GHz)

18.2	19.7	19.9	H-16.9° V-15.3°	21	22	1.5:1 (-14.0 dB)	4344
------	------	------	-----------------	----	----	------------------	------

P2F-23B Antenna (2.29 - 2.5 GHz)

20.8	21.6	22.0	H-13.3° V-12.0°	21	24	1.5:1 (-14.0 dB)	3014
------	------	------	-----------------	----	----	------------------	------

Mechanical Specifications

Reflector: 2 ft aluminum reflector diameter (0.6 meter)

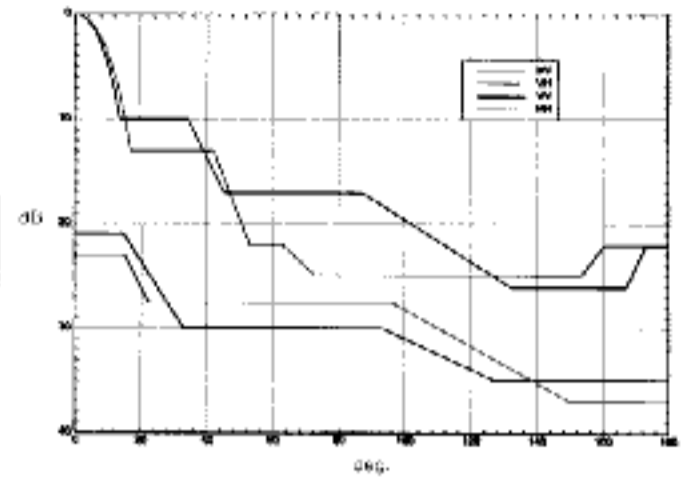
Mount: hot dip galvanized steel, mounts to pipe 2.5 inch (65 mm) through 4.5 inch (115 mm) O.D. pipe

Mount hardware: galvanized

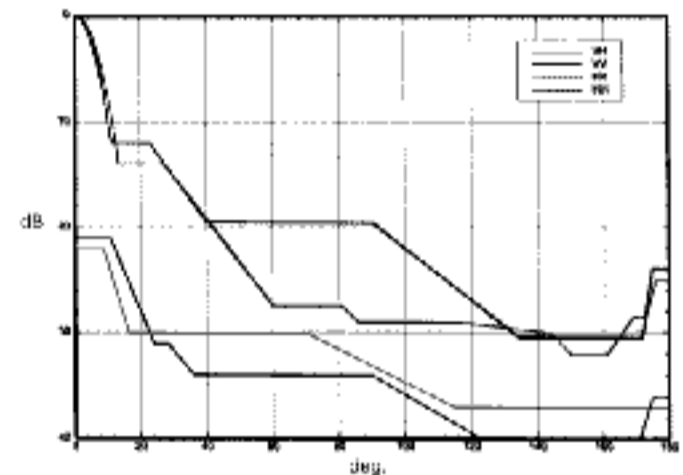
Azimuth: 360 degree continuous rotation

Elevation: +/- 5 degrees from 0 degrees

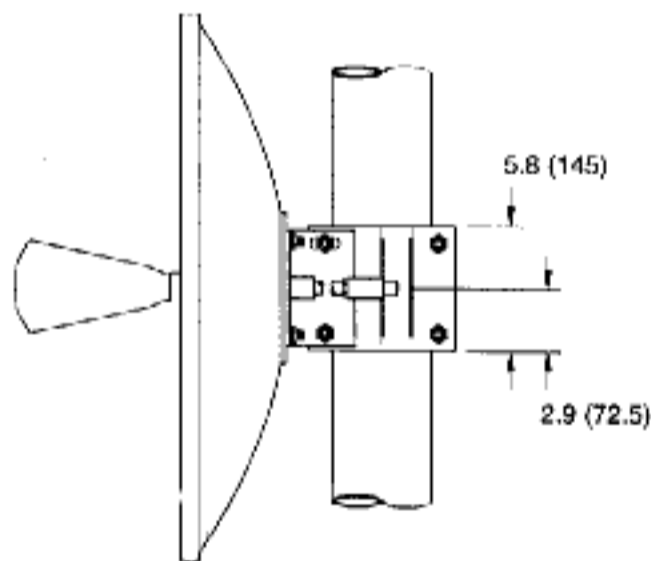
Weight: 16 lb (7.3 kg)



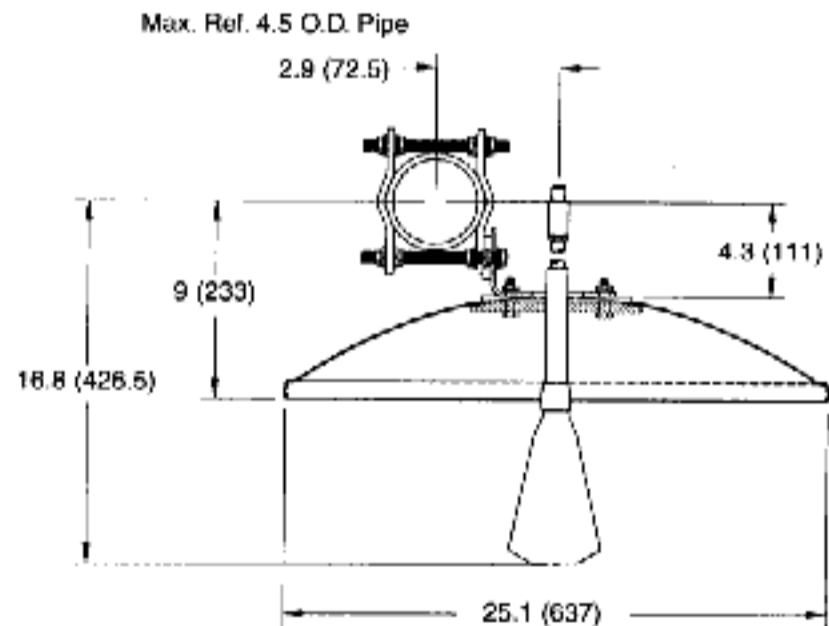
P2F-17



P2F-23B



Side View



Top View

Dimensions are in inches (mm)



Andrew Corporation

10500 W.153rd Street
Orland Park, IL 60462 USA

From North America:

Telephone: 1-800-255-1479

Fax: 1-800-349-5444

International:

Telephone: 1-708-349-3300

Fax: 1-708-349-5444

Fax-On-Demand

From North America: 1-800-861-1700

International: 1-708-873-3614

Internet: <http://www.andrew.com>

All designs, specifications and availabilities of products and services presented in this bulletin are subject to change without notice.