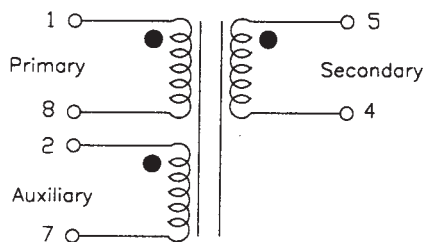
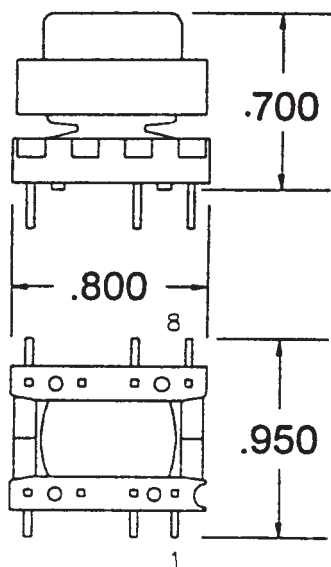




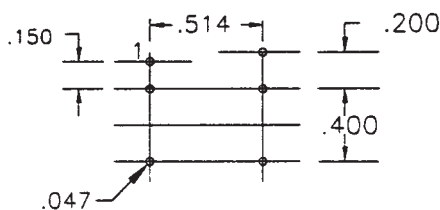
1102 Silver Lake Road, Cary, IL 60013-9919 800/322-COIL Fax 847/639-1469  
 email: info@coilcraft.com web: www.coilcraft.com

## CONVERTER TRANSFORMER: U6875-A FOR USE WITH MOTOROLA SEMICONDUCTOR MC33363A DC-DC CONVERTER

The Coilcraft U6875-A converter transformer has been specifically designed for use in high voltage off-line switching regulators, using Motorola Semiconductor MC33363A monolithic high voltage switching regulator. The transformer has been designed for low interwinding capacitance and a primary to secondary isolation voltage of 1500 Vrms.



SCHEMATIC



SUGGESTED P.C.B. LAYOUT

### Electrical Values:

Part Number	Inductance <sup>1</sup> (± 10%)	Pins	DCR (Max)	Output	Input
U6875-A	628 µH	1-8	.595Ω	5.0 VDC	92-276 Vac
		2-7	.135Ω	3.0 Amps	
		5-4	.010Ω		

Notes:

1. Inductance tested at 100 kHz, .8 Vrms on Pins 1-8.

PLEASE SEND ME:

- MORE SAMPLES U6875-A  
QTY. \_\_\_\_\_ (Maximum of 10)
- QUOTATION ON PRODUCTION QUANTITIES
- INFORMATION ON OTHER  
COILCRAFT PRODUCTS

COMPANY: \_\_\_\_\_  
 \_\_\_\_\_  
 \_\_\_\_\_

ATTN: \_\_\_\_\_  
 PHONE: \_\_\_\_\_  
 FAX: \_\_\_\_\_  
 EMAIL: \_\_\_\_\_



1102 Silver Lake Road, Cary, IL 60013-9919 800/322-COIL Fax 847/639-1469  
 email: info@coilcraft.com web: www.coilcraft.com