

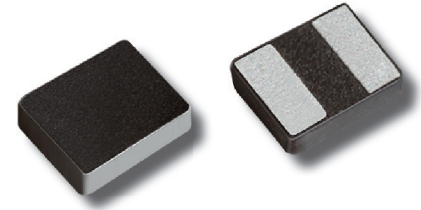
# NPIM\_Z Series

## Ultra-High Current Power Inductors



### SERIES FEATURES

- METAL COMPOSITE SHIELDED POWER INDUCTOR
- SOFT SATURATION
- ULTRA HIGH CURRENT
- LOW DCR FOR HIGH EFFICIENCY
- LOW ACOUSTIC NOISE AND LEAKAGE FLUX NOISE

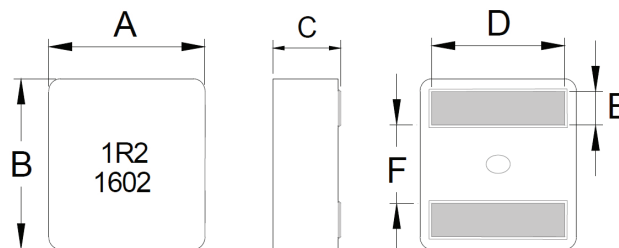


### CHARACTERISTICS

Series Sizes & Inductance Ranges	NPIM42Z	NPIM42ZD	NPIM43ZD	NPIM52Z
	0.10 ~ 1.8 $\mu$ H	0.47 ~ 2.2 $\mu$ H	1.0 ~ 3.3 $\mu$ H	0.15 ~ 1.5 $\mu$ H
	NPIM53Z	NPIM63Z	NPIM65Z	NPIM66Z
	0.15 ~ 4.7 $\mu$ H	0.18 ~ 4.7 $\mu$ H	0.82 ~ 4.7 $\mu$ H	1.0 ~ 8.2 $\mu$ H
	NPIM73Z	NPIM1010Z	NPIM1508Z	NPIM1513Z
	0.36 ~ 5.6 $\mu$ H	3.3 ~ 15 $\mu$ H	2.0 ~ 22 $\mu$ H	4.7 ~ 33 $\mu$ H
Maximum Component Temperature (Ambient + Self-Heating)	-40°C ~ +125°C (General Product)			
	-55°C ~ +155°C (Automotive "QY" Product)			
Maximum Temperature Rise at Irms	+40°C			
Inductance Change at Isat	-30%			
Inductance Tolerance	$\pm$ 20%			
Resistance to Solder Heat	260°C $\pm$ 5°C for 10 seconds			

### SIZES & DIMENSIONS (mm)

Series	A	B	C	D	E	F	G	H	J
NPIM42Z	4.4 $\pm$ 0.2	4.4 $\pm$ 0.2	1.9 $\pm$ 0.2	3.4 $\pm$ 0.3	0.88 $\pm$ 0.2	1.6 $\pm$ 0.25	3.8 ref	3.4 ref	1.4 ref
NPIM42ZD			2.80 $\pm$ 0.20						
NPIM43ZD									
NPIM52Z	6.0 $\pm$ 0.2	5.7 $\pm$ 0.2	1.9 $\pm$ 0.2	4.3 $\pm$ 0.3	1.1 $\pm$ 0.2	2.3 $\pm$ 0.25	4.7 ref	4.5 ref	2.0 ref
NPIM53Z	6.0 $\pm$ 0.2	5.7 $\pm$ 0.2	2.9 $\pm$ 0.2	4.3 $\pm$ 0.3	1.1 $\pm$ 0.2	2.3 $\pm$ 0.25	4.7 ref	4.5 ref	2.0 ref
NPIM63Z	6.6 $\pm$ 0.2	6.4 $\pm$ 0.2	2.8 $\pm$ 0.2	See Spec Table	1.4 $\pm$ 0.2	2.6 $\pm$ 0.25	5.6 ref	5.6 ref	2.5 ref
NPIM65Z			2.9 $\pm$ 0.2						
NPIM66Z			4.8 $\pm$ 0.2						
NPIM73Z	8.4 $\pm$ 0.3	8.0 $\pm$ 0.3	2.9 $\pm$ 0.2	See Spec Table	1.75 $\pm$ 0.2	3.15 $\pm$ 0.25	7.2 ref	7.4 ref	2.8 ref
NPIM1010Z	11.9 $\pm$ 0.3	11.0 $\pm$ 0.3	9.7 $\pm$ 0.3	See Spec table	2.4 $\pm$ 0.2	4.4 $\pm$ 0.3	11 ref	10.5 ref	3.7 ref
NPIM1508Z	17.5 $\pm$ 0.3	16.5 $\pm$ 0.3	7.7 $\pm$ 0.3	13.2 $\pm$ 0.5	3.2 $\pm$ 0.2	7.0 $\pm$ 0.3	15.0ref	15 ref	6.0 ref
NPIM1513Z	17.5 $\pm$ 0.3	16.5 $\pm$ 0.3	12.7 $\pm$ 0.3	13.2 $\pm$ 0.5	3.2 $\pm$ 0.2	7.0 $\pm$ 0.3	15.0ref	15 ref	6.0 ref



# NPIM\_Z Series

## Ultra-High Current Power Inductors



### NPIM42Z Values

Part Number	Inductance Value (μH)	DC Resistance (mΩ) max.	+20C Rise I <sub>rms</sub> (A)	+40C Rise I <sub>rms</sub> (A)	Isat (A) Max.	Isat (A) Typ.	AEC-Q200 Qualified Part Number
NPIM42ZR10MTRAF	0.1	2.42	13.5	18	33	38	NPIM42ZR10MTRAQYF
NPIM42ZR22MTRAF	0.22	4.6	13	16.8	18.8	19.5	NPIM42ZR22MTRAQYF
NPIM42ZR33MTRAF	0.33	5	12	15.5	16.5	18	NPIM42ZR33MTRAQYF
NPIM42ZR36MTRAF	0.36	6.3	11	14.5	15	17	NPIM42ZR36MTRAQYF
NPIM42ZR40MTRAF	0.4	7.73	10	14	13.5	15.5	NPIM42ZR40MTRAQYF
NPIM42ZR47MTRAF	0.47	8.58	9.0	12.5	13	14.5	NPIM42ZR47MTRAQYF
NPIM42ZR56MTRAF	0.56	9.3	8.5	12	12.6	14	NPIM42ZR56MTRAQYF
NPIM42ZR60MTRAF	0.6	9.52	8	11.7	12.3	13.7	NPIM42ZR60MTRAQYF
NPIM42ZR72MTRAF	0.72	11.6	7.6	10.5	10.6	12	NPIM42ZR72MTRAQYF
NPIM42Z1R0MTRAF	1.0	14.6	6.8	9.6	8.8	9.6	NPIM42Z1R0MTRAQYF
NPIM42Z1R2MTRAF	1.2	17.9	6.6	9	7.8	9	NPIM42Z1R2MTRAQYF
NPIM42Z1R5MTRAF	1.5	23.5	5.8	7.6	7.4	8	NPIM42Z1R5MTRAQYF
NPIM42Z1R8MTRAF	1.8	28.0	5.2	7	7	7.5	NPIM42Z1R8MTRAQYF

### NPIM42ZD Values

Part Number	Inductance Value (μH)	DC Resistance (mΩ) max.	+20C Rise I <sub>rms</sub> (A)	+40C Rise I <sub>rms</sub> (A)	Isat (A) Max.	Isat (A) Typ.	AEC-Q200 Qualified Part Number
NPIM42ZDR47MTRAF	0.47	6.8	9.8	13.2	12.5	14	NPIM42ZDR47MTRAQYF
NPIM42ZDR56MTRAF	0.56	7.8	9.5	12.6	11.3	13	NPIM42ZDR56MTRAQYF
NPIM42ZDR60MTRAF	0.6	7.8	9.4	12.4	11.1	12.8	NPIM42ZDR60MTRAQYF
NPIM42ZDR68MTRAF	0.68	8.2	9.2	12	10	11.6	NPIM42ZDR68MTRAQYF
NPIM42ZDR82MTRAF	0.82	9.5	8.5	11.5	9	10.2	NPIM42ZDR82MTRAQYF
NPIM42ZD1R0MTRAF	1.0	11.7	8	11	8	9.2	NPIM42ZD1R0MTRAQYF
NPIM42ZD1R2MTRAF	1.2	13.4	7.2	9.5	7.5	8.6	NPIM42ZD1R2MTRAQYF
NPIM42ZD1R5MTRAF	1.5	15.8	6.7	9.1	6.7	7.5	NPIM42ZD1R5MTRAQYF
NPIM42ZD2R0MTRAF	2.0	23.3	6.2	8.2	5	6.2	NPIM42ZD2R0MTRAQYF
NPIM42ZD2R2MTRAF	2.2	23.5	6	8	4.8	6	NPIM42ZD2R2MTRAQYF

### NPIM43Z Values

Part Number	Inductance Value (μH)	DC Resistance (mΩ) max.	+20C Rise I <sub>rms</sub> (A)	+40C Rise I <sub>rms</sub> (A)	Isat (A) Max.	Isat (A) Typ.	AEC-Q200 Qualified Part Number
NPIM43ZD1R0MTRAF	1	9.1	8	11	9.2	9.8	NPIM43ZD1R0MTRAQYF
NPIM43ZD1R2MTRAF	1.2	10.4	7.8	9.8	8.7	9.2	NPIM43ZD1R2MTRAQYF
NPIM43ZD1R5MTRAF	1.5	12	7	9	7.0	8.0	NPIM43ZD1R5MTRAQYF
NPIM43ZD1R8MTRAF	1.8	17.4	6.5	8.2	6.6	7.5	NPIM43ZD1R8MTRAQYF
NPIM43ZD2R2MTRAF	2.2	20.5	6	7.8	6.1	7.0	NPIM43ZD2R2MTRAQYF
NPIM43ZD3R3MTRAF	3.3	26	5	6.6	5.3	6.2	NPIM43ZD3R3MTRAQYF

Maximum +40°C temperature rise at I<sub>rms</sub>. Approximate -30% inductance change at Isat.

Visit [www.niccomp.com](http://www.niccomp.com) for Idc performance curves for all series' part numbers

# NPIM\_Z Series

## Ultra-High Current Power Inductors



### NPIM52Z Values

Part Number	Inductance Value (μH)	DC Resistance (mΩ) max.	+20C Rise I rms (A)	+40C Rise I rms (A)	Isat (A) Max.	Isat (A) Typ.	AEC-Q200 Qualified Part Number
NPIM52ZR15MTRAF	0.15	4.6	13.9	18.8	27	30	NPIM52ZR15MTRAQYF
NPIM52ZR16MTRAF	0.16	4.6	13.9	18.8	27	30	NPIM52ZR16MTRAQYF
NPIM52ZR33MTRAF	0.33	7.0	10.5	14.4	24	26	NPIM52ZR33MTRAQYF
NPIM52ZR47MTRAF	0.47	8.05	10.1	14.1	20	22	NPIM52ZR47MTRAQYF
NPIM52ZR56MTRAF	0.56	9.54	9.9	13.9	16	19	NPIM52ZR56MTRAQYF
NPIM52ZR68MTRAF	0.68	10.2	9.6	13.4	14	16	NPIM52ZR68MTRAQYF
NPIM52ZR80MTRAF	0.8	11.8	9.4	13	13.5	15.5	NPIM52ZR80MTRAQYF
NPIM52ZR82MTRAF	0.82	12.7	8.5	12	13	15	NPIM52ZR82MTRAQYF
NPIM52Z1R0MTRAF	1.0	13.8	7.5	10.5	12.8	14.5	NPIM52Z1R0MTRAQYF
NPIM52Z1R2MTRAF	1.2	16.3	6.8	9.4	12.2	14	NPIM52Z1R2MTRAQYF
NPIM52Z1R5MTRAF	1.5	18.7	6.4	8.8	11.7	13.3	NPIM52Z1R2MTRAQYF

### NPIM53Z Values

Part Number	Inductance Value (μH)	DC Resistance (mΩ) max.	+20C Rise I rms (A)	+40C Rise I rms (A)	Isat (A) Max.	Isat (A) Typ.	AEC-Q200 Qualified Part Number
NPIM53ZR15MTRAF	0.15	2.31	14.3	22.2	32.5	36	NPIM53ZR15MTRAQYF
NPIM53ZR28MTRAF	0.28	3.3	14	19	28	32	NPIM53ZR28MTRAQYF
NPIM53ZR33MTRAF	0.33	3.52	13.8	19.2	26	28	NPIM53ZR33MTRAQYF
NPIM53ZR47MTRAF	0.47	4.13	13.7	18.4	24	26	NPIM53ZR47MTRAQYF
NPIM53ZR56MTRAF	0.56	4.52	13.6	17.7	20.2	22.2	NPIM53ZR56MTRAQYF
NPIM53ZR60MTRAF	0.6	4.52	13.6	17.7	20	22	NPIM53ZR60MTRAQYF
NPIM53ZR80MTRAF	0.8	5.65	10.1	13.1	18	20	NPIM53ZR80MTRAQYF
NPIM53ZR82MTRAF	0.82	5.78	9.9	12.9	17.6	19.7	NPIM53ZR82MTRAQYF
NPIM53Z1R0MTRAF	1.0	7.6	9.0	12.2	14.3	16.5	NPIM53Z1R0MTRAQYF
NPIM53Z1R2MTRAF	1.2	9.7	8.5	11	13.5	15	NPIM53Z1R2MTRAQYF
NPIM53Z1R5MTRAF	1.5	11.2	8.0	10.5	12.5	14	NPIM53Z1R5MTRAQYF
NPIM53Z1R8MTRAF	1.8	12.7	7.6	10.1	11.3	12.3	NPIM53Z1R8MTRAQYF
NPIM53Z2R2MTRAF	2.2	14.5	7.2	9.7	9	10	NPIM53Z2R2MTRAQYF
NPIM53Z3R3MTRAF	3.3	23.1	5.9	8.1	8.7	9.5	NPIM53Z3R3MTRAQYF
NPIM53Z4R7MTRAF	4.7	36.3	4.3	5.9	7	8.2	NPIM53Z4R7MTRAQYF

Maximum +40°C temperature rise at I rms. Approximate -30% inductance change at Isat.

Visit [www.niccomp.com](http://www.niccomp.com) for Idc performance curves for all series' part numbers

# NPIM\_Z Series

## Ultra-High Current Power Inductors



### NPIM63Z Values

Part Number	Inductance Value ( $\mu\text{H}$ )	DCR ( $\text{m}\Omega$ ) max.	+20C Rise I <sub>rms</sub> (A)	+40C Rise I <sub>rms</sub> (A)	Isat (A) Max.	Isat (A) Typ.	C $\pm$ 0.2 (mm)	D $\pm$ 0.3 (mm)	AEC-Q200 Qualified Part Number
NPIM63ZR18MTRAF	0.18	1.75	24	32	36	40	2.8	5.30	NPIM63ZR18MTRAQYF
NPIM63ZR33MTRAF	0.33	2.5	20	25	28	32		5.55	NPIM63ZR33MTRAQYF
NPIM63ZR56MTRAF	0.56	3.31	17	22	25	29		5.30	NPIM63ZR56MTRAQYF
NPIM63ZR68MTRAF	0.68	5.17	15	20	21	25		5.30	NPIM63ZR68MTRAQYF
NPIM63Z1R0MTRAF	1.0	6.05	13	18	18	23		5.20	NPIM63Z1R0MTRAQYF
NPIM63Z1R2MTRAF	1.2	7.4	12	16	16	22		5.15	NPIM63Z1R2MTRAQYF
NPIM63Z1R5MTRAF	1.5	9.13	11	15	15.5	20	2.9	5.15	NPIM63Z1R5MTRAQYF
NPIM63Z1R8MTRAF	1.8	10.2	10	14	13	18.2		5.10	NPIM63Z1R8MTRAQYF
NPIM63Z2R2MTRAF	2.2	12.2	7	10	11	15.9		5.05	NPIM63Z2R2MTRAQYF
NPIM63Z3R3MTRAF	3.3	20.8	6	8	9	12.2		5.00	NPIM63Z3R3MTRAQYF
NPIM63Z4R5MTRAF	4.5	25.3	5	7	8	10		5.00	NPIM63Z4R5MTRAQYF
NPIM63Z4R7MTRAF	4.7	29.2	4	6	7	9		5.00	NPIM63Z4R7MTRAQYF

### NPIM65Z Values

Part Number	Inductance Value ( $\mu\text{H}$ )	DCR ( $\text{m}\Omega$ ) max.	+20C Rise I <sub>rms</sub> (A)	+40C Rise I <sub>rms</sub> (A)	Isat (A) Max.	Isat (A) Typ.	D $\pm$ 0.3 (mm)	AEC-Q200 Qualified Part Number
NPIM65ZR82MTRAF	0.82	4.18	16	21	20	24	5.3	NPIM65ZR82MTRAQYF
NPIM65Z1R0MTRAF	1.0	4.52	15	20	18	23		NPIM65Z1R0MTRAQYF
NPIM65Z1R2MTRAF	1.2	5.83	14	18	16	22		NPIM65Z1R2MTRAQYF
NPIM65Z1R5MTRAF	1.5	6.3	13	17	14.5	19.5		NPIM65Z1R5MTRAQYF
NPIM65Z1R8MTRAF	1.8	7.1	12	16	13.5	18.5		NPIM65Z1R8MTRAQYF
NPIM65Z2R2MTRAF	2.2	8.5	10	13	12	16	5.2	NPIM65Z2R2MTRAQYF
NPIM65Z3R3MTRAF	3.3	12.5	8.5	11	10	12.5		NPIM65Z3R3MTRAQYF
NPIM65Z4R3MTRAF	4.3	16.2	7	9	8.5	11		NPIM65Z4R3MTRAQYF
NPIM65Z4R7MTRAF	4.7	18.4	6.5	8.5	8.4	10.5		NPIM65Z4R7MTRAQYF
NPIM65Z5R6MTRAF	5.6	22	5.7	7	8.3	10		NPIM65Z5R6MTRAQYF
NPIM65Z6R8MTRAF	6.8	25.4	5.2	6.6	7	9		NPIM65Z6R8MTRAQYF
NPIM65Z8R2MTRAF	8.2	31.5	4.5	6.2	6.8	8		NPIM65Z6R8MTRAQYF

### NPIM66Z Values

Part Number	Inductance Value ( $\mu\text{H}$ )	DC Resistance ( $\text{m}\Omega$ ) max.	+20C Rise I <sub>rms</sub> (A)	+40C Rise I <sub>rms</sub> (A)	Isat (A) Max.	Isat (A) Typ.	AEC-Q200 Qualified Part Number
NPIM66Z1R0MTRAF	1	4.29	15	19	16	18	NPIM66Z1R0MTRAQYF
NPIM66Z1R5MTRAF	1.5	5.61	13	16	14	16	NPIM66Z1R5MTRAQYF
NPIM66Z2R2MTRAF	2.2	7.8	11	14	12	14	NPIM66Z2R2MTRAQYF
NPIM66Z3R3MTRAF	3.3	12.1	9	12	10.5	11.5	NPIM66Z3R3MTRAQYF
NPIM66Z4R7MTRAF	4.7	14.4	8	11	9.5	10.5	NPIM66Z4R7MTRAQYF
NPIM66Z5R6MTRAF	5.6	15.8	7.5	10	9	10	NPIM66Z5R6MTRAQYF
NPIM66Z6R8MTRAF	6.8	20.8	7	9	8.7	9.2	NPIM66Z6R8MTRAQYF
NPIM66Z8R2MTRAF	8.2	24.8	6	8	8	8.5	NPIM66Z8R2MTRAQYF

Maximum +40°C temperature rise at I<sub>rms</sub>. Approximate -30% inductance change at Isat.

Visit [www.niccomp.com](http://www.niccomp.com) for Idc performance curves for all series' part numbers

### Performance Passives By Design

# NPIM\_Z Series

## Ultra-High Current Power Inductors



### NPIM73Z Values

Part Number	Inductance Value ( $\mu$ H)	DCR ( $m\Omega$ ) max.	+20C Rise I <sub>rms</sub> (A)	+40C Rise I <sub>rms</sub> (A)	Isat (A) Max.	Isat (A) Typ.	D $\pm$ 0.3 (mm)	AEC-Q200 Qualified Part Number
NPIM73ZR36MTRAF	0.36	2.31	19	24	37	41	6.6	NPIM73ZR36MTRAQYF
NPIM73ZR60MTRAF	0.6	3.2	18	23	32	36		NPIM73ZR60MTRAQYF
NPIM73Z1R0MTRAF	1	5	16.1	21.8	28	30		NPIM73Z1R0MTRAQYF
NPIM73Z1R5MTRAF	1.5	8.25	12	15.3	23.5	25		NPIM73Z1R5MTRAQYF
NPIM73Z2R2MTRAF	2.2	13.7	10	13	17	19	6.2	NPIM73Z2R2MTRAQYF
NPIM73Z2R7MTRAF	2.7	15.4	9.2	11.4	13.5	16		NPIM73Z2R7MTRAQYF
NPIM73Z3R3MTRAF	3.3	18	8	10	13	15		NPIM73Z3R3MTRAQYF
NPIM73Z4R7MTRAF	4.7	26.7	6.9	9	12.2	13.5		NPIM73Z4R7MTRAQYF
NPIM73Z5R6MTRAF	5.6	33.2	5.3	7.3	11.5	12.5		NPIM73Z5R6MTRAQYF

### NPIM1010Z Values

Part Number	Inductance Value ( $\mu$ H)	DCR ( $m\Omega$ ) max.	+20C Rise I <sub>rms</sub> (A)	+40C Rise I <sub>rms</sub> (A)	Isat (A) Max.	Isat (A) Typ.	D $\pm$ 0.3 (mm)	AEC-Q200 Qualified Part Number
NPIM1010Z3R3MTRAF	3.3	4.1	18.2	25	23.4	27.4	9.3	NPIM1010Z3R3MTRAQYF
NPIM1010Z4R7MTRAF	4.7	5.7	17.5	24	21.4	25.4		NPIM1010Z4R7MTRAQYF
NPIM1010Z5R6MTRAF	5.6	7.2	15.7	21.2	19.6	23.6		NPIM1010Z5R6MTRAQYF
NPIM1010Z6R8MTRAF	6.8	8.9	14	18.5	18.5	21.8	9.0	NPIM1010Z6R8MTRAQYF
NPIM1010Z8R2MTRAF	8.2	12.4	12.9	17.1	16.3	18.3		NPIM1010Z8R2MTRAQYF
NPIM1010Z100MTRAF	10	13.75	11.5	15.5	14.6	17.5		NPIM1010Z100MTRAQYF
NPIM1010Z150MTRAF	15	19.3	9.9	13.8	12.5	15.5		NPIM1010Z150MTRAQYF

### NPIM1508Z Values

Part Number	Inductance Value ( $\mu$ H)	DCR ( $m\Omega$ ) max.	+20C Rise I <sub>rms</sub> (A)	+40C Rise I <sub>rms</sub> (A)	Isat (A) Max.	Isat (A) Typ.	AEC-Q200 Qualified Part Number
NPIM1508Z2R0MTRAF	2.0	2.21	29.5	40	52	57	NPIM1508Z2R0MTRAQYF
NPIM1508Z2R2MTRAF	2.2	2.48	28	37	49	55	NPIM1508Z2R2MTRAQYF
NPIM1508Z3R0MTRAF	3.0	3.0	26	34.5	41	46	NPIM1508Z3R0MTRAQYF
NPIM1508Z4R2MTRAF	4.2	4.68	20.5	27	33	38	NPIM1508Z4R2MTRAQYF
NPIM1508Z4R7MTRAF	4.7	5.16	20	26.5	32	37	NPIM1508Z4R7MTRAQYF
NPIM1508Z5R3MTRAF	5.3	5.34	19.5	26	31	35	NPIM1508Z5R3MTRAQYF
NPIM1508Z6R2MTRAF	6.2	6.5	17	23	31	34	NPIM1508Z6R2MTRAQYF
NPIM1508Z7R2MTRAF	7.2	7.2	15	21	29	32	NPIM1508Z7R2MTRAQYF
NPIM1508Z8R2MTRAF	8.2	7.92	13	19	25	28	NPIM1508Z8R2MTRAQYF
NPIM1508Z100MTRAF	10	9.6	11	16	21	24	NPIM1508Z100MTRAQYF
NPIM1508Z150MTRAF	15	15	10	13	18	21	NPIM1508Z150MTRAQYF
NPIM1508Z200MTRAF	22	23.2	9	12	16	19	NPIM1508Z200MTRAQYF

Maximum +40°C temperature rise at I<sub>rms</sub>. Approximate -30% inductance change at Isat.

Visit [www.niccomp.com](http://www.niccomp.com) for Idc performance curves for all series' part numbers

# NPIM\_Z Series

## Ultra-High Current Power Inductors



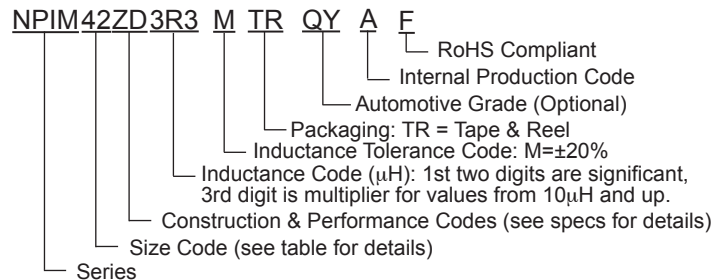
### NPIM1513Z Values

Part Number	Inductance Value ( $\mu$ H)	DCR ( $m\Omega$ ) max.	+20C Rise I <sub>rms</sub> (A)	+40C Rise I <sub>rms</sub> (A)	Isat (A) Max.	Isat (A) Typ.	AEC-Q200 Qualified Part Number
NPIM1513Z4R7MTRAF	4.7	3.3	23	31	40	44	NPIM1513Z4R7MTRAQYF
NPIM1513Z5R6MTRAF	5.6	3.9	22	29	35	40	NPIM1513Z5R6MTRAQYF
NPIM1513Z6R8MTRAF	6.8	4.2	21	27	32	37	NPIM1513Z6R8MTRAQYF
NPIM1513Z8R2MTRAF	8.2	5.74	20	26	29	33	NPIM1513Z8R2MTRAQYF
NPIM1513Z100MTRAF	10	7	19	25	27	30	NPIM1513Z100MTRAQYF
NPIM1513Z150MTRAF	15	7.5	16	22	21	25.5	NPIM1513Z150MTRAQYF
NPIM1513Z220MTRAF	22	13.86	12	17	19	22	NPIM1513Z220MTRAQYF
NPIM1513Z330MTRAF	33	22.2	9	14	16	19	NPIM1513Z330MTRAQYF

Maximum +40°C temperature rise at I<sub>rms</sub>. Approximate -30% inductance change at Isat.

Visit [www.niccomp.com](http://www.niccomp.com) for Idc performance curves for all series' part numbers

### PART NUMBER SYSTEM



"QY" denotes suitable for automotive equipment, sourced to special production and inspection at IATF-16949 certified production site

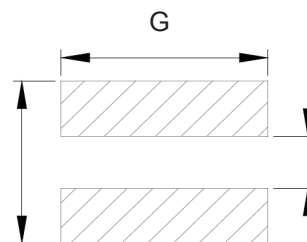
# NPIM\_Z Series

## Ultra-High Current Power Inductors



### LAND PATTERNS (mm)

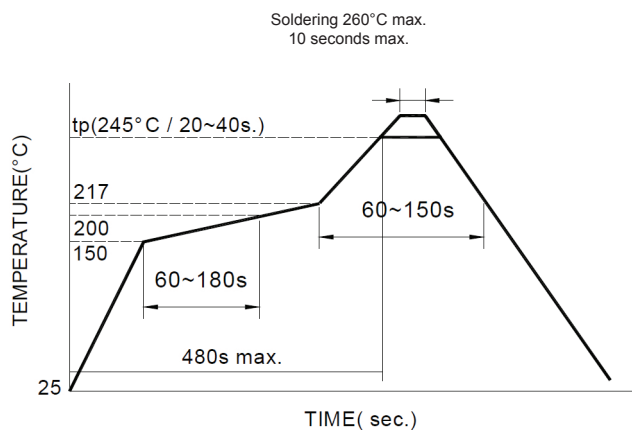
Series	G	H	J
NPIM42Z	3.8 ref	3.4 ref	1.4 ref
NPIM42ZD			
NPIM43ZD			
NPIM52Z	4.7 ref	4.5 ref	2.0 ref
NPIM53Z	4.7 ref	4.5 ref	2.0 ref
NPIM63Z	5.6 ref	5.6 ref	2.5 ref
NPIM65Z	5.6 ref	5.6 ref	2.5 ref
NPIM66Z	5.6 ref	5.6 ref	2.5 ref
NPIM73Z	7.2 ref	7.4 ref	2.8 ref
NPIM1010Z	11 ref	10.5 ref	3.7 ref
NPIM1508Z	15.0 ref	15 ref	6.0 ref
NPIM1513Z	15.0 ref	15 ref	6.0 ref



Note:

1. The above PCB layout reference only.
2. Recommend solder paste thickness at 0.15mm and above.

### REFLOW SOLDERING PROFILE



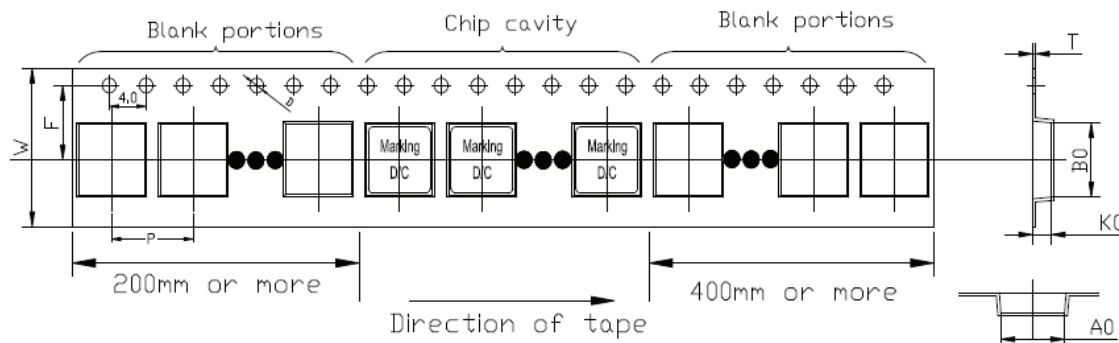
# NPIM\_Z Series

## Ultra-High Current Power Inductors



### TAPING DIMENSIONS (mm)

Series	Ao	Bo	Ko	P	W	F	T	D
NPIM42Z(D)	4.7 ± 0.1	4.7 ± 0.1	2.3 ± 0.1	8.0 ± 0.1	12 ± 0.3	5.5 ± 0.1	0.35 ± 0.1	1.5 ± 0.1
NPIM43Z(D)	4.7 ± 0.1	4.7 ± 0.1	3.3 ± 0.1	8.0 ± 0.1	12 ± 0.3	5.5 ± 0.1	0.35 ± 0.1	1.5 ± 0.1
NPIM52Z	6.4 ± 0.1	6.1 ± 0.1	2.3 ± 0.1	8.0 ± 0.1	12.0 ± 0.3	5.5 ± 0.1	0.35 ± 0.05	1.5 ± 0.1
NPIM53Z	6.4 ± 0.1	6.1 ± 0.1	3.3 ± 0.1	8.0 ± 0.1	16.0 ± 0.3	7.5 ± 0.1	0.35 ± 0.05	1.5 ± 0.1
NPIM63Z	7.6 ± 0.1	7.3 ± 0.1	3.3 ± 0.1	12.0 ± 0.1	16 ± 0.3	7.5 ± 0.1	0.35 ± 0.05	1.5 ± 0.1
NPIM65Z	7.6 ± 0.1	7.3 ± 0.1	5.3 ± 0.1	12.0 ± 0.1	16 ± 0.3	7.5 ± 0.1	0.35 ± 0.1	1.5 ± 0.1
NPIM66Z	7.6 ± 0.1	6.3 ± 0.1	6.3 ± 0.1	12.0 ± 0.1	16 ± 0.3	7.5 ± 0.1	0.35 ± 0.1	1.5 ± 0.1
NPIM73Z	8.8 ± 0.1	8.4 ± 0.1	3.3 ± 0.1	12.0 ± 0.1	16 ± 0.3	7.5 ± 0.1	0.35 ± 0.1	1.5 ± 0.1
NPIM1010Z	12.4 ± 0.1	11.5 ± 0.1	10.3 ± 0.1	16.0 ± 0.1	24 ± 0.3	11.5 ± 0.1	0.35 ± 0.1	1.5 ± 0.1
NPIM1508Z	18.0 ± 0.1	17.0 ± 0.1	8.5 ± 0.1	24.0 ± 0.1	32.0 ± 0.3	14.2 ± 0.1	0.50 ± 0.05	1.5 ± 0.1
NPIM1513Z	18.0 ± 0.1	17.0 ± 0.1	13.6 ± 0.1	24.0 ± 0.1	32.0 ± 0.3	14.2 ± 0.1	0.50 ± 0.05	1.5 ± 0.1



### REEL DIMENSIONS (mm)

Series	A	B	C	D	Qty/Reel
NPIM42Z(D)	12.4 +2/-0	100 ± 2.0	13.0 +0.5/-0.2	330	3,000
NPIM43Z(D)					2,000
NPIM52Z					3,000
NPIM53Z	2,000				
NPIM63Z	1,000				
NPIM65Z	800				
NPIM66Z	750				
NPIM73Z	1,500				
NPIM1010Z	24.4 +2/-0				300
NPIM1508Z	32.4 +2/-0				200
NPIM1513Z		100			

