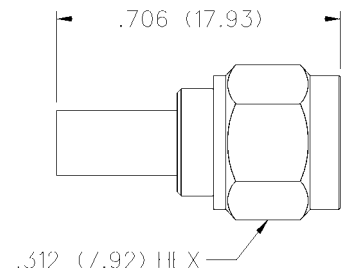


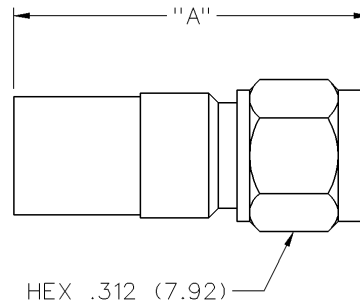
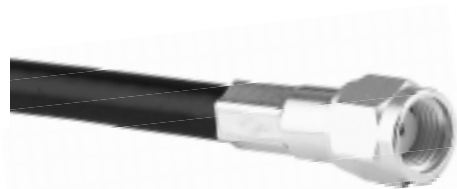
Straight Crimp Type Plug - Solder or Crimp Captivated Contact



CABLE TYPE	GOLD PLATED	NICKEL PLATED
RG 316/U, 188, 174, 161	142-4403-001	142-4403-006
RG 316 DS, 188DS	142-4404-001	142-4404-006
RG 58/U, 141, 303	142-4407-001	142-4407-006
RG 142/U, 55, 223, 400	142-4408-001	142-4408-006

Assembly instructions page 158.
See page 132 for Cable Assembly Tools.

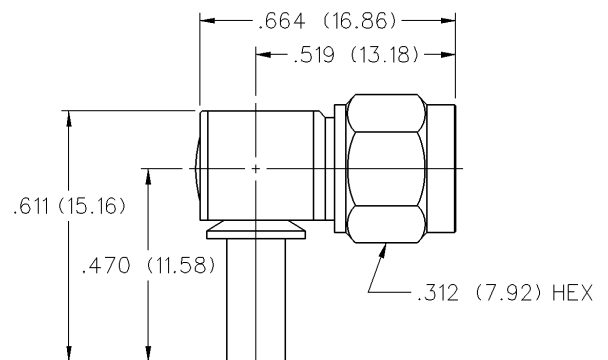
Straight Crimp Type Plug - Captivated Contact Low Loss Cable



CABLE TYPE	VSWR & FREQ. RANGE	GOLD PLATED	NICKEL PLATED	"A"
LMR-100, HPF-100, RF-100	1.15 + .02 f (GHz) 0-12.4 GHz	142-4403-001	142-4403-006	.706 (17.93)
LMR-195, HPF-195, RF-195	1.17 + .025 f (GHz) 0-12.4 GHz	142-4407-001	142-4407-006	.706 (17.93)
LMR-200, HPF-200, RF-200	1.10 + .07 f (GHz) 0-12.4 GHz	142-4439-001	142-4439-006	.844 (21.44)
LMR-240, HPF-240, RF-240	1.10 + .07 f (GHz) 0-12.4 GHz	142-4435-001	142-4435-006	.844 (21.44)

Assembly instructions pages 158 and 159. See page 132 for Cable Assembly Tools.

Right Angle Crimp Type Plug - Captivated Contact



CABLE TYPE	GOLD PLATED	NICKEL PLATED
RG 316/U, 188, 174, 161	142-4403-101	142-4403-106
RG 316 DS, 188DS	142-4404-101	142-4404-106
RG 58/U, 141, 303	142-4407-101	142-4407-106
RG 142/U, 55, 223, 400	142-4408-101	142-4408-106

Assembly instructions page 161.
See page 132 for Cable Assembly Tools.