

# Multifunctional Switches

## Wonder Pointer, JFP Series

### ■ Features

1. A compact and short configuration best fits portable equipment.
2. Low voltage and small power consuming operation characteristics make this product the first choice for battery operated equipment (sleep mode function included).
3. Change of the actuator configuration will make operation sensation best fitting respective types of operations a reality.
4. We provide standard control IC for our customers.

### ■ Specification


1. Insulation Resistance : 100MΩ min.
2. Withstanding Voltage : 25V AC (for one minute)
3. Reading System : Resistance sensitive system
4. Resolution : 800cps.
5. Interface : Serial, PS/2
6. Power Supply : 4.5 to 5.5V
7. Current Consumption : 15mA max. (when operating)
8. Operating Life : 1,000,000 cycles
9. Operating Temperature Range : 0°C to +65°C

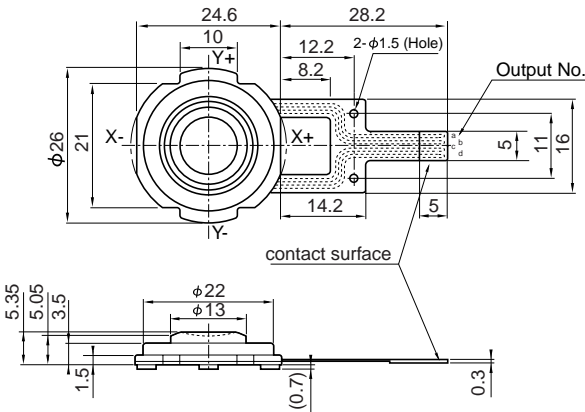
### ■ Application

As controls for a number of types of products such as

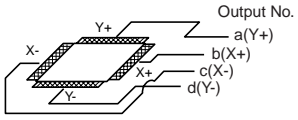
- Personal computer, control for multimedia equipment (mouse function)
- TV, wireless remote control for VCR
- Control for car navigation equipment
- Game control
- Control for presentation system

**JFP0000-070** ☒





**Circuit**



☒	Color
1	Black
2	Dark Purple