

REV. Status

REVISION J
REVISED AND
REDRAWN ON
CAD/CAM
03/31/92

REVISION K
TEMECULA
WAS
CARSON
01/08/93 TS

REVISION L
ADDED SAFETY
APPROVAL AND
ADDED TOL TO
PIN LENGTH DIM
03/29/95 TS

REVISION M
UPDATED
FORMAT
06/08/98 TS

FCC68 TELECOMMUNICATION WET COUPLING TRANSFORMER 600 : 600

A. Electrical Specifications (@ 25°C)

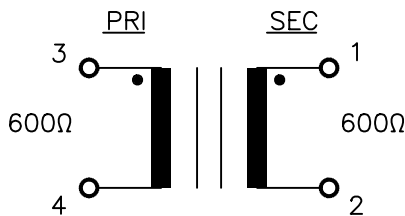
1. Pri Source Impedance; 600Ω
2. Sec Load Impedance; 600Ω
3. Pri DC Current; 90mA MAX (3-4)
4. Inductance;
(3-4) = 310mH ±110mH @ 1KHz 0.75V ±0.05V & DC0mA to DC90mA
5. Impedance Ratio; 600Ω ±10% : 600Ω ±10% @ 1KHz 0.775V & DC0mA
6. Transmission;
-7.7dB MAX (reading M) @ 1KHz 0.775 & DC90mA
M - 2.5dB MAX @ 300Hz 0.775V & DC90mA
M + 1.0dB MAX @ 3.5KHz 0.775V & DC90mA
7. DC Resistance; (1-2) = 52Ω ±10%
(3-4) = 25Ω ±10%
8. Turns Ratio; (1-2) : (3-4) = 1 : 1.00 ±2%
9. Dielectric Strength; 1500Vrms, 1 minute @ Pri to Sec, Pri to Core
1000Vrms, 1 minute @ Sec to Core

10. Insulation Resistance;
100MΩ between windings and between windings and core @ 100VDC
11. Induced Voltage; (1-2) 250Vrms, 5KHz 1 minute

B. Marking; TTC-211, TAMURA TEMECULA CA, date code and country of origin

C. Safety; CSA C22.2 No. 66-M1988 File No. LR81383
UL 1863 File No. E142035

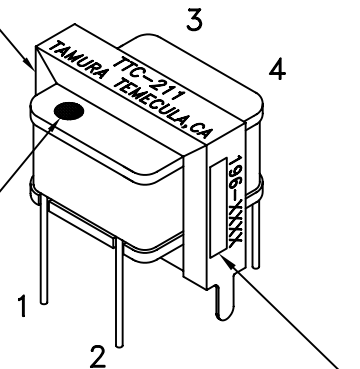
D. Schematic Diagram



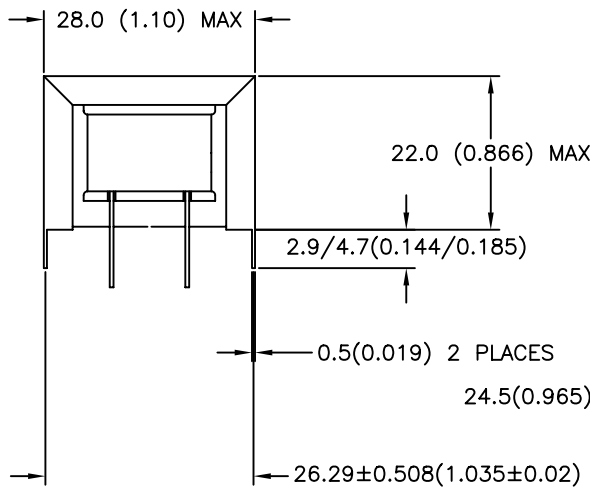
SAFETY APPROVAL LOGOS



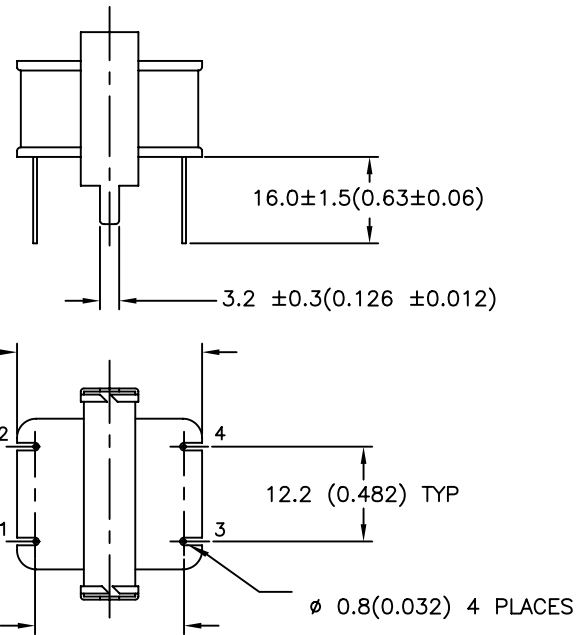
Black Dot (PIN 1)



E. Mechanical Specifications



Date code and country of origin



PREPARED BY:

D. Kelley

ENGINEER:

T. Shiozawa

QUALITY CONTROL:

D. Kelley

APPROVED:

D. Suzuki

DWG CONTROL NO.
P-A1-10275
ACAD\TTC\A1102751.DWG

REV
M

TELECOMMUNICATION COUPLING
TRANSFORMER

TAMURA CORPORATION OF AMERICA
43352 BUSINESS PARK DRIVE, TEMECULA, CA. 92590-6624
(909) 699-1270 FAX 9096769482

TTC-211

MODEL SPECIFICATION

DIM: mm(in) SCL: NONE SH: 1 OF 1

PROPRIETARY NOTICE: THIS DRAWING PRINT OR DOCUMENT AND SUBJECT MATTER DISCLOSED HEREIN ARE PROPRIETARY ITEMS TO WHICH TAMURA RETAINS THE EXCLUSIVE RIGHT OF DISSEMINATION, REPRODUCTION, MANUFACTURE AND SALE. THIS DRAWING, PRINT OR DOCUMENT IS SUBMITTED IN CONFIDENCE FOR CONSIDERATION BY THE RECIPIENT ALONE UNLESS PERMISSION FOR FURTHER DISCLOSURE IS EXPRESSLY GRANTED IN WRITING.

MODEL NUMBER
TTC-211