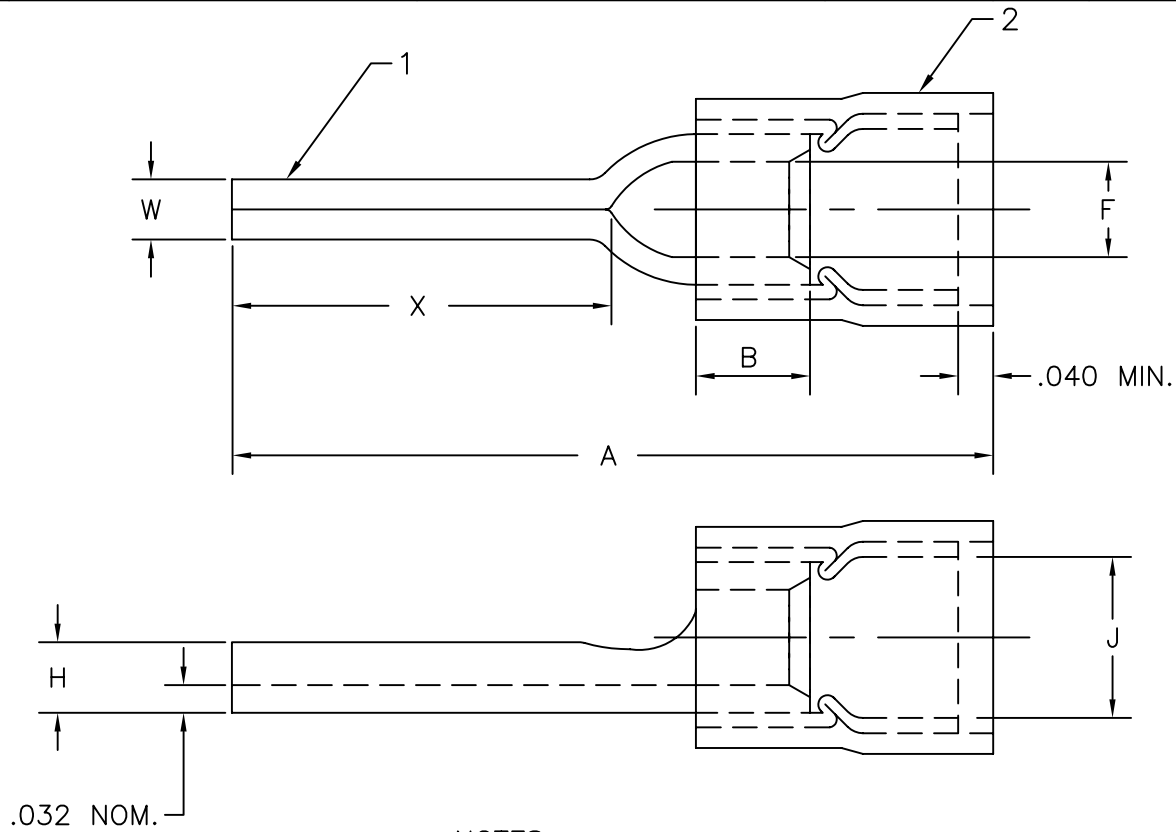


REV.	WAS	REVISION	ECO	BY	APPRV'D	DATE




NOTES:

1. MATERIAL: COPPER
2. FINISH: ELECTRO-TIN PLATE
3. TRADEMARK AND WIRE SIZE STAMPED ON PART.
4. SERRATED BARREL.

CATALOG PART NUMBER	A	B	F	H	J	W	X	①	②
	MAX	NOM	MIN	NOM	MIN	NOM	NOM	SEE NOTES 1 & 2	BLUE NYLON
XWP13016SN	.955	.165	.083	.075	.178	.070	.400		

CRIMPING TOOL			
LOOSE PIECE	STRIP LENGTH	TAPE MOUNTED	STRIP LENGTH
H7B	9/32	27001B	9/32

<p>UNLESS OTHERWISE SPECIFIED</p> <p>ALL DIMENSIONS IN INCHES</p> <p>COMMERCIAL TOLERANCES APPLY TO ALL STOCK SIZES</p>	DATE	10-14-99	 <p>HOLLINGSWORTH</p> <p>AN ELECTRO-TERM COMPANY</p>				
	DRAWN	PJL					
	CHK'D						
	APPV'D		TITLE	FIXED INSULATED INSULATION GRIP WIRE PIN TERMINAL			
	RELEASE DATE		WIRE SIZE RANGE:	16-14	PART NO.	XWP13016SN	CD
	FINISH	SEE NOTE #2					
	SCALE	NONE					
	DO NOT SCALE						