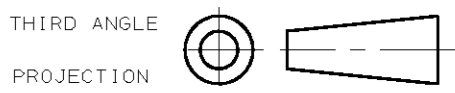


| NUMBER OF POS. | PART NUMBER | PACK | "L" MAX. | "M"   |
|----------------|-------------|------|----------|-------|
| 1              | 0-161390-1  | 2000 | 5,08     | -     |
| 2              | 0-161390-2  | 1000 | 7,62     | 2,54  |
| 3              | 0-161390-3  | 1000 | 10,16    | 5,08  |
| 4              | 0-161390-4  | 1000 | 12,70    | 7,62  |
| 5              | 0-161390-5  | 500  | 15,24    | 10,16 |
| 6              | 0-161390-6  | 500  | 17,78    | 12,70 |
| 7              | 0-161390-7  | 500  | 20,32    | 15,24 |
| 8              | 0-161390-8  | 500  | 22,86    | 17,78 |
| 9              | 0-161390-9  | 250  | 25,40    | 20,32 |
| 10             | 1-161390-0  | 250  | 27,94    | 22,86 |
| 11             | 1-161390-1  | 250  | 30,48    | 25,40 |
| 12             | 1-161390-2  | 250  | 33,02    | 27,94 |
| 13             | 1-161390-3  | 150  | 35,56    | 30,48 |
| 14             | 1-161390-4  | 150  | 38,10    | 33,02 |
| 15             | 1-161390-5  | 150  | 40,64    | 35,56 |
| 16             | 1-161390-6  | 100  | 43,18    | 38,10 |
| 17             | 1-161390-7  | 100  | 45,72    | 40,64 |
| 18             | 1-161390-8  | 100  | 48,26    | 43,18 |
| 19             | 1-161390-9  | 100  | 50,80    | 45,72 |
| 20             | 2-161390-0  | 100  | 53,34    | 48,26 |
| 21             | 2-161390-1  | 100  | 55,88    | 50,80 |
| 22             | 2-161390-2  | 100  | 58,42    | 53,34 |
| 23             | 2-161390-3  | 100  | 60,96    | 55,88 |
| 24             | 2-161390-4  | 100  | 63,50    | 58,42 |
| 25             | 2-161390-5  | 100  | 66,04    | 60,96 |
| 26             | 2-161390-6  | 50   | 68,58    | 63,50 |
| 27             | 2-161390-7  | 50   | 71,12    | 66,04 |
| 28             | 2-161390-8  | 50   | 73,66    | 68,58 |
| 29             | 2-161390-9  | 50   | 76,20    | 71,12 |
| 30             | 3-161390-0  | 50   | 78,84    | 73,66 |

DO NOT SCALE  
DIMENSIONS IN mm

METRIC



AMP PRODUCT SPEC.: 108-19036.

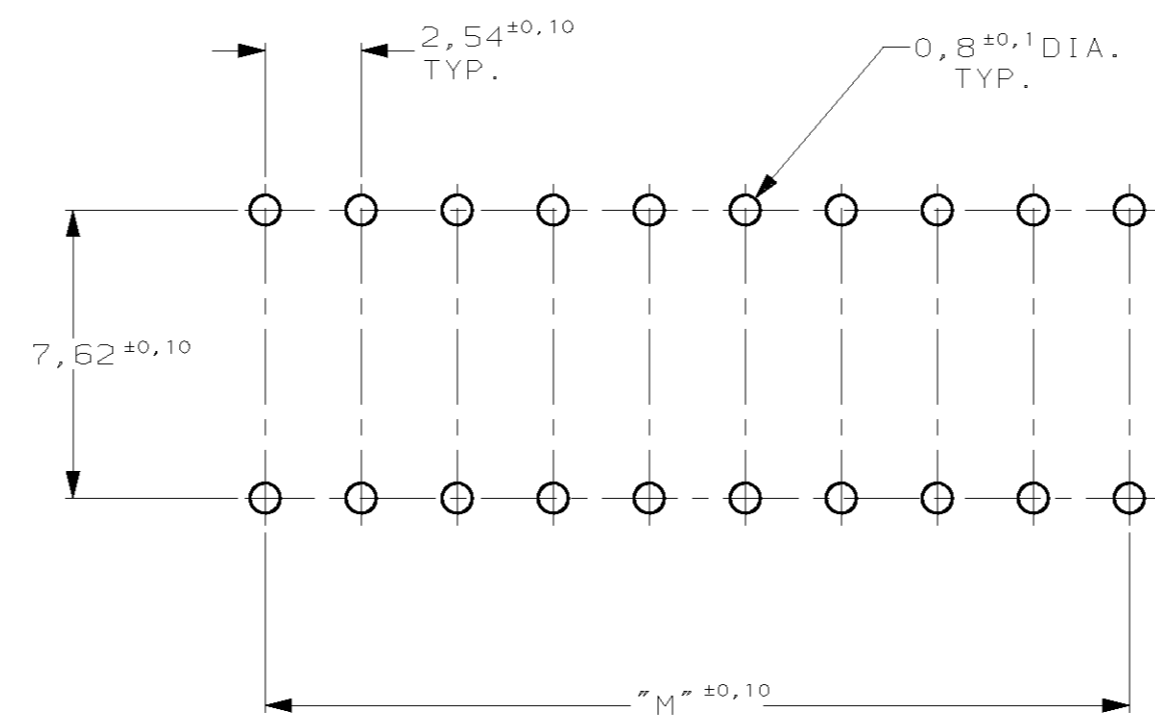
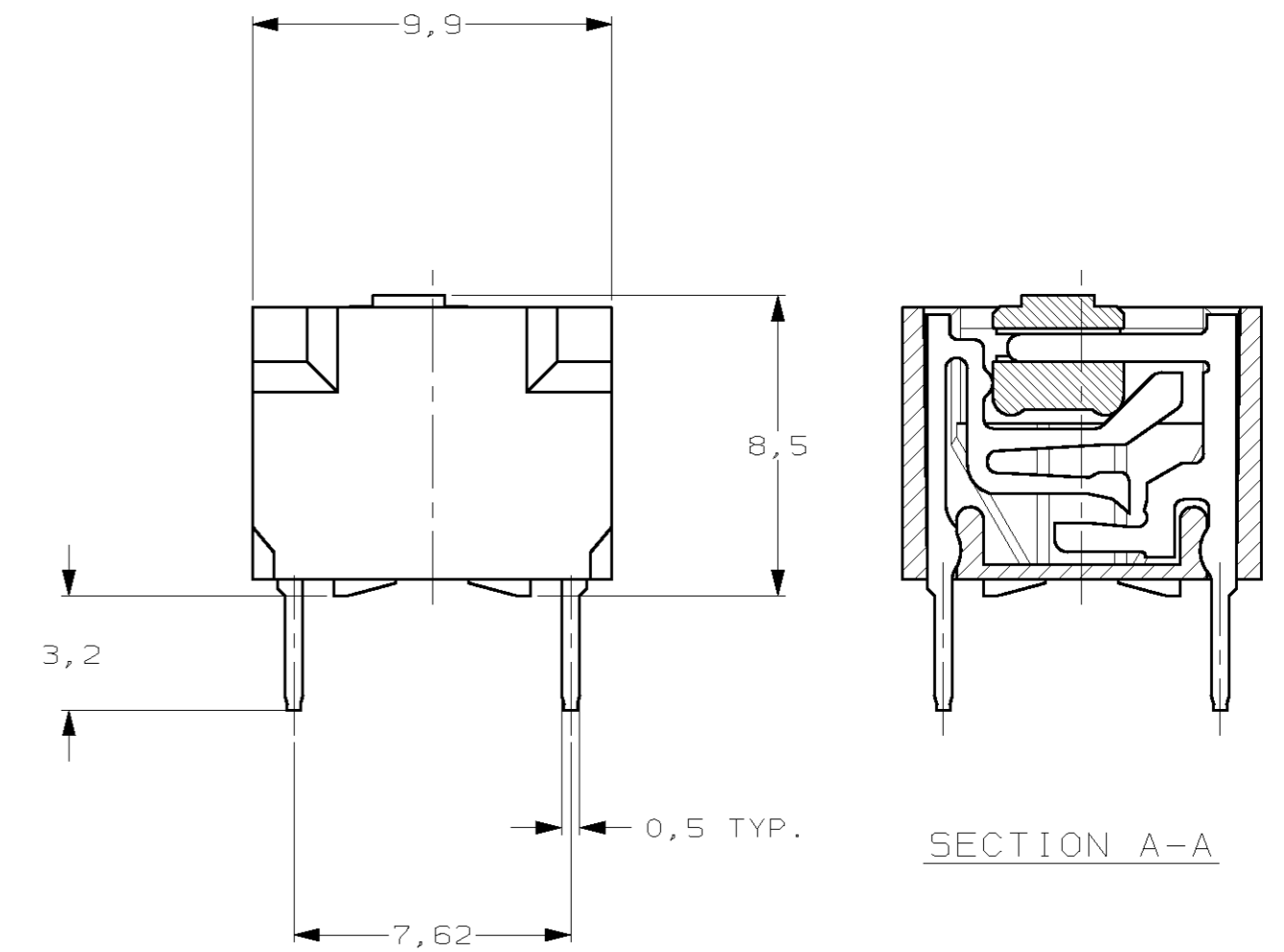
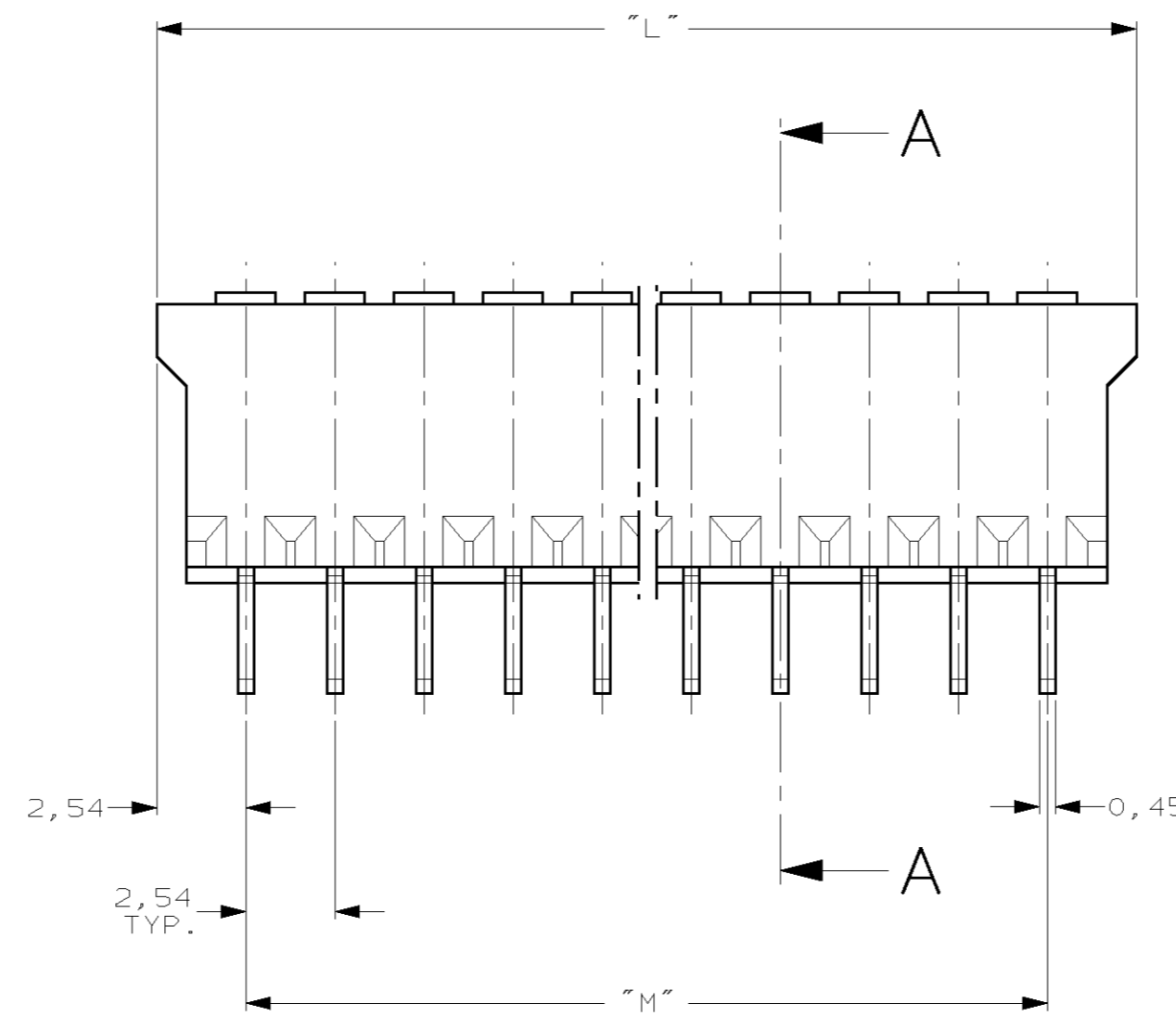
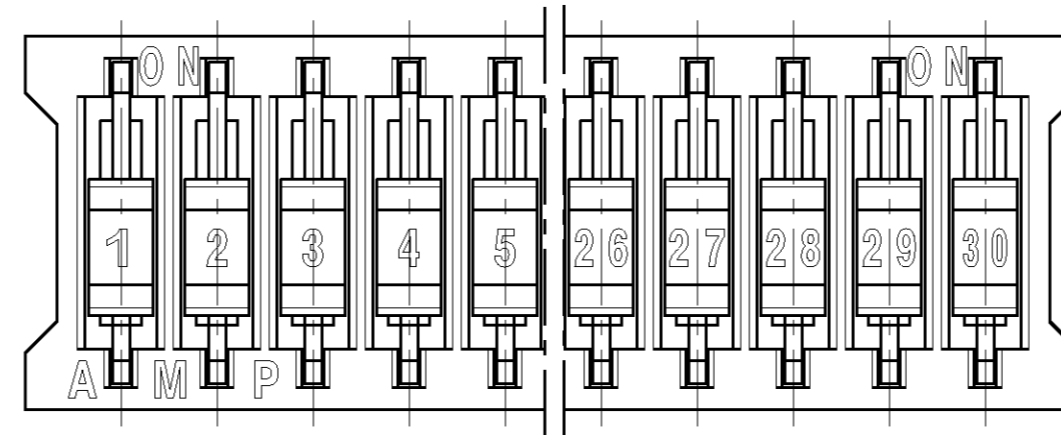
MATERIAL:

HOUSING: 20% G.F. POLYESTER, COLOUR: GREY.

ACTUATOR: 20% G.F. POLYESTER, COLOUR: RED.

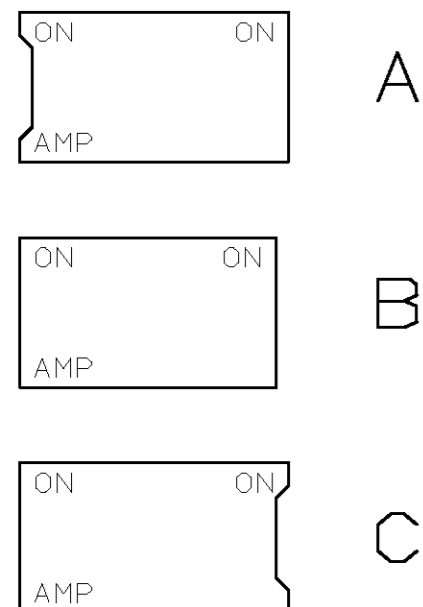
CONTACTS: PHOSPHOR-BRONZE.

PLATING: MIN. 2,5 µm TIN.



RECOMMENDED P.C. BOARD HOLE PATTERN.  
P.C. BOARD THICKNESS: 1,6mm.

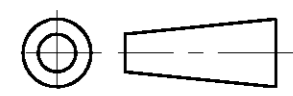
SWITCH HOUSINGS MAY HAVE PROFILE A, B OR C.



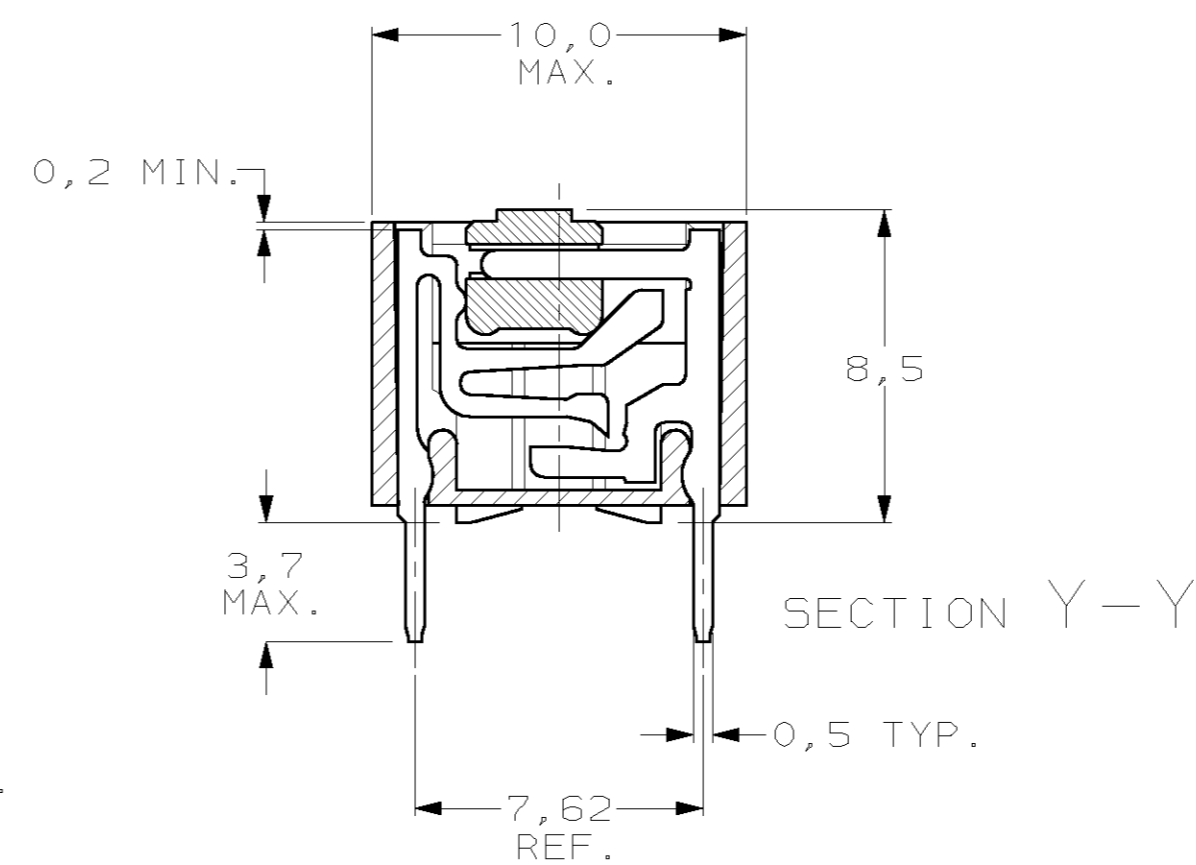
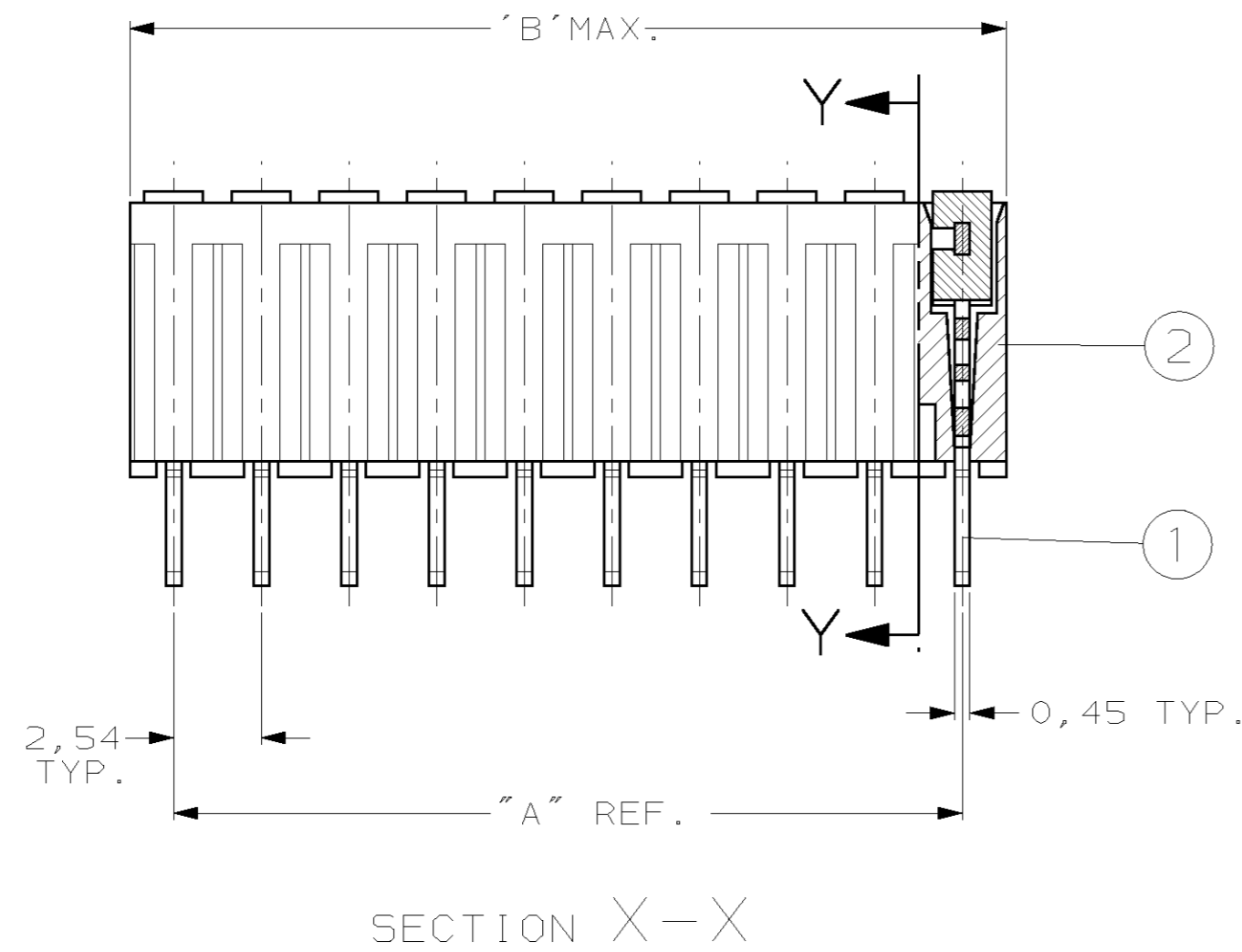
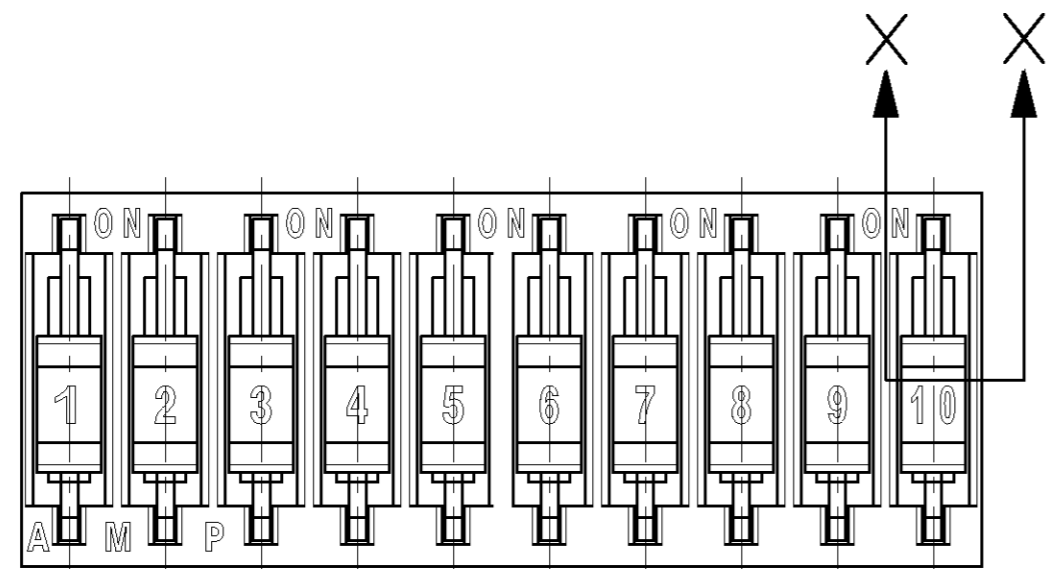
|  |                 | FINISH |               | MATERIAL  |                        | PARTNUMBER                       |        |
|--|-----------------|--------|---------------|-----------|------------------------|----------------------------------|--------|
| -  | -               | -      | -             | -         | -                      | -                                | -      |
| CUSTOMER DRAWING FOR REFERENCE ONLY WILL NOT BE UPDATED  |                 |        |               |           |                        |                                  |        |
| © COPYRIGHT 19- BY AMP HOLLAND B.V.  |                 |        |               |           |                        |                                  |        |
| ALL INTERNATIONAL RIGHTS RESERVED. AMP PRODUCTS MAY BE COVERED BY U.S. AND FOREIGN AND/OR PATENTS PENDING. |                 |        |               |           |                        |                                  |        |
| THIS DRAWING IS UNPUBLISHED AND NOT BE RELEASED FOR PUBLICATION.   |                 |        |               |           |                        |                                  |        |
| S  | EH10-0038-04    | JvdH   | M.G.          | 30 JUL 04 | AMP HOLLAND B.V.       | Her togenbosch, The Netherlands. |        |
| R  | EH00-1808-99    | RvH    | M.G.          | 27 APR 01 | NAME                   |                                  |        |
| P  | EH-0750-96      | D.K.   | M.G.          | 20 JUN 96 | DIP SWITCH             |                                  |        |
| LTR.   | REVISION RECORD | DR.    | CHK.          | DATE      | SOLDER LEGS 3,2mm LONG |                                  |        |
| DR.:   | J.v.d. HEIJDEN  | CHK.:  | M. GOSSSELING | APP.:     | M. GOSSSELING          | DWG. No.                         | 161390 |
| DATE:  | 30-05-90        | DATE:  | 27 APR 01     | DATE:     | 27 APR 01              | REV. LTR.                        | S      |
|  |                 |        |               |           |                        | SHEET                            | 1 OF 2 |
|  |                 |        |               |           |                        | A2                               |        |

DO NOT SCALE  
DIMENSIONS IN mm

METRIC

THIRD ANGLE  
PROJECTION 

| PART NUMBER | NR. OF POS. | "A" REF. | "B" MAX. |
|-------------|-------------|----------|----------|
| 9-161390-2  | 2           | 2,54     | 5,18     |
| 9-161390-3  | 3           | 5,08     | 7,72     |
| 9-161390-4  | 4           | 7,62     | 10,26    |
| 9-161390-5  | 5           | 10,16    | 12,80    |
| 9-161390-6  | 6           | 12,70    | 15,34    |
| 9-161390-7  | 7           | 15,24    | 17,88    |
| 9-161390-8  | 8           | 17,78    | 20,42    |
| 9-161390-9  | 9           | 20,32    | 22,96    |
| 9-161390-0  | 10          | 22,86    | 25,50    |



| FINISH         |                     |                     | MATERIAL         |                  |         | PARTNUMBER   |        |    |
|----------------|---------------------|---------------------|------------------|------------------|---------|--|--------|----|
| -              | -                   | -                   | -                | -                | -       | CUSTOMER DRAWING FOR REFERENCE ONLY WILL NOT BE UPDATED  |        |    |
| -              | -                   | -                   | -                | -                | -       | © COPYRIGHT 19- BY AMP HOLLAND B.V. ALL INTERNATIONAL RIGHTS RESERVED. AMP PRODUCTS MAY BE COVERED BY U.S. AND FOREIGN AND/OR PATENTS PENDING. |        |    |
| -              | -                   | -                   | -                | -                | -       | THIS DRAWING IS UNPUBLISHED RELEASED FOR PUBLICATION   |        |    |
| -              | -                   | -                   | -                | -                | -       | AMP HOLLAND B.V. 's-Hertogenbosch, The Netherlands.  |        |    |
| -              | -                   | -                   | -                | -                | -       | NAME   |        |    |
| -              | -                   | -                   | -                | -                | -       | DIP SWITCH SOLDER LEGS 3,2 mm LONG.  |        |    |
| LTR.           | REVISION RECORD     | DR.                 | CHK.             | DATE             | DWG.No. | REV.LTR.   | SHEET  | A2 |
| DR. : RvHEUVEN | CHK. : M. GOSSELINK | APP. : M. GOSSELINK | DATE : 27 APR 01 | DATE : 27 APR 01 | 161390  | 5  | 2 OF 2 |    |

SEE SHEET 1