

XPS-4381W-CXX0G

(RoHS Compliant)

8.5 Gbps/ 80 km / CWDM XFP Single-Mode Optical Transceiver for 8G FC Applications

FEATURES

- | Up to 8.5 Gb/s Bi-directional Data Link
- | Complaint to XFP MSA
- | Compliance with Fibre Channel FC-PI-4 800-SM-LL-V
- | Compliant with 4G and 2G Fibre Channel
- | SFF-8472 Digital Diagnostic Function
- | **Maximum Link Length of 80 km**
- | **Temperature-stabilized 8-Wavelength CWDM EML Transmitter: from 1470 nm to 1610 nm**
- | **23 dB Power Budget at Least**
- | AC/AC Coupling according to MSA
- | 2-Wire Interface for Integrated Digital Diagnostic Monitoring
- | XFI Loopback Mode
- | No Reference Clock Required
- | Power Dissipation < 3.5 W
- | +3.3 V & 5 V Power Supply
- | RoHS 6/6 Compliant
- | 0 to 70°C Operating
- | Duplex LC Connector

DESCRIPTION

XPS-4381W-CXX0G series multi-rate 8G XFP transceiver is designed for serial optical data communications such as 8G Fiber Channel. It supports the 8.5Gbps transmission on 9/125 μm SMF.

The transceiver consists of two sections: The transmitter section consists of a CWDM electrical-modulated laser (EML), driver and signal conditioner. The receiver section incorporates a Avalanche photodiode (APD) integrated with a trans-impedance preamplifier (TIA) and signal conditioner. There are eight center wavelengths available from 1470 nm to 1610 nm, with each step 20 nm. A guaranteed minimum optical link budget of 23 dB is offered.

The module is with the XFP 30-pin connector to allow hot plug capability. Integrated Tx and Rx signal conditioners provide high jitter-tolerance for full XFI compliance and no external reference clock required. The internally ac coupled high speed serial I/O simplifies interfacing to external circuitry. Only single 3.3V power supply is needed. The optical output can be disabled by LVTTTL logic high-level input of TX_DIS. Loss of signal (RX_LOS) output is provided to indicate the loss of an input optical signal of receiver.

A serial EEPROM in the transceiver allows the user to access transceiver digital diagnostic monitoring and configuration data via the 2-wire XFP Management Interface. This interface uses a single address, A0h, with a memory map divided into a lower and upper area. Basic digital diagnostic data is held in the lower area while specific data is held in a series of tables in the high memory area.

APPLICATIONS

- | Multi-rate 8x/4x/2x Fiber Channel

STANDARD

- | Compliant with XFP MSA
- | Compliant with 8G FC

LASER SAFETY

This transceiver is a Class 1 laser product. It complies with IEC-60825 and FDA 21 CFR 1040.10 and 1040.11. The transceiver must be operated within the specified temperature and voltage limits. The optical ports of the module shall be terminated with an optical connector or with a dust plug.

ORDER INFORMATION

| P/No. | Bit Rate (Gb/s) | FC-PI | Power Budget (dB) | Wavelength (nm) | Package | Temp. (°C) | RoHS Compliant |
|-----------------|-----------------|---------|-------------------|-----------------|--------------|------------|----------------|
| XPS-4381W-CXX0G | 8 / 4 / 2 | FC-PI-4 | > 23 | CWDM* | XFP with DMI | 0 to 70 | Yes |

CWDM* Wavelength (0 to 70°C)

| Central Wavelength | Min. (nm) | Typ. (nm) | Max. (nm) | Label | Central Wavelength | Min. (nm) | Typ. (nm) | Max. (nm) | Label |
|--------------------|-----------|-----------|-----------|-------|--------------------|-----------|-----------|-----------|-------|
| -C470 | 1464.5 | 1470 | 1477.5 | C47 | -C550 | 1544.5 | 1550 | 1557.5 | C55 |
| -C490 | 1484.5 | 1490 | 1497.5 | C49 | -C570 | 1564.5 | 1570 | 1577.5 | C57 |
| -C510 | 1504.5 | 1510 | 1517.5 | C51 | -C590 | 1584.5 | 1590 | 1597.5 | C59 |
| -C530 | 1524.5 | 1530 | 1537.5 | C53 | -C610 | 1604.5 | 1610 | 1617.5 | C61 |

CWDM*: 8 Wavelengths from 1470 nm to 1610 nm, each step 20 nm.

| Absolute Maximum Ratings | | | | | |
|------------------------------|--------|------|-----|-------|------------------------|
| Parameter | Symbol | Min | Max | Units | Notes |
| Storage Temperature | Tstg | -40 | 85 | °C | |
| Operating Case Temperature | Topr | 0 | 70 | °C | |
| Relative Humidity | RH | 0 | 85 | % | Non condensing |
| Power Supply Voltage (5V) | Vcc5 | -0.5 | 6.0 | V | |
| Power Supply Voltage (3.3V) | Vcc3 | -0.5 | 3.6 | V | |
| Receiver Input Optical Power | Mip | | 4 | dBm | Received average power |

| Recommended Operating Conditions | | | | | |
|----------------------------------|----------------|------|-----|------|---------------|
| Parameter | Symbol | Min | Typ | Max | Units / Notes |
| Power Supply Voltage (5V) | Vcc5 | 4.75 | 5 | 5.25 | V |
| Power Supply Voltage (3.3V) | Vcc3 | 3.13 | 3.3 | 3.47 | V |
| Power Supply Current (@5V) | Icc5 | | | 500 | mA / 1 |
| Power Supply Current (@3.3V) | Icc3 | | | 750 | mA / 1 |
| Power Dissipation | P _D | | | 3.5 | W |
| Operating Case Temperature | Topr | 0 | | 70 | °C |
| Data Rate | | | 8.5 | | Gb/s |

1. Including in rush current. Maximum module current ramp rate is 100 mA/μs.

| Transmitter Optical Specifications (0°C < Topr < 70°C, 3.13V < Vcc < 3.47V) | | | | | | |
|---|---------------------|----------------------|----------------|----------------------|-------|--------------|
| Parameter | Symbol | Min | Typ | Max | Units | Notes |
| Average Launch Power | P _{o, Avg} | 0 | | 4 | dBm | 2 |
| Output Center Wavelength | λ | λ _c - 5.5 | λ _c | λ _c + 7.5 | nm | 3 |
| Extinction Ratio | ER | 8.2 | | | dB | |
| Output Spectrum Width | σ _λ | | | 1 | nm | -20 dB width |
| Side Mode Suppression Ratio | SMSR | 30 | | | dB | |
| Transmitter and Dispersion Penalty @ 1600 ps/nm | TDP | | | 3 | dB | |
| Relative Intensity Noise | RIN | | | -130 | dB/Hz | |
| Average Launch Power of OFF Transmitter | | | | -30 | dBm | |

2. Output power is power coupled into a 9/125 μm single-mode fiber.

3. ITU-T G.694.2 CWDM wavelength from 1470 nm to 1610 nm, each step 20 nm.

| Receiver Optical Specifications (0°C < Topr < 70°C, 3.13V < Vcc < 3.47V) | | | | | | |
|--|------------------|------|-----|------|-------|-------------------------|
| Parameter | Symbol | Min | Typ | Max | Units | Notes |
| Sensitivity | | | | -23 | dBm | 4 |
| Receiver Overload | P _{MAX} | -7 | --- | | dBm | |
| LOS -- Deasserted | LOS _D | --- | --- | -28 | dBm | Transition: low to high |
| LOS -- Asserted | LOS _A | -36 | --- | --- | dBm | Transition: high to low |
| LOS -- Hysteresis | | 0.5 | --- | | dB | |
| Wavelength of Operation | λ _c | 1260 | | 1620 | nm | |
| Optical Return Loss | ORL | | | -27 | dB | |

4. Average received power; BER < 10⁻¹² and PRBS 2⁷-1.

| Electrical Characteristics | | | | | | |
|--|------------------|-----|-----|-----------------|------------------|--------------------------|
| Parameter | Symbol | Min | Typ | Max | Units | Notes |
| High-Speed Signal (CML) Interface Specification | | | | | | |
| Input Data Rate | | | 8.5 | | Gps | |
| TX Clock Tolerance | | | | ±100 | ppm | 5 |
| Differential Input Impedance | R _{in} | | 100 | | Ω | |
| Differential Data Input Amplitude | | 120 | | 820 | mV _{pp} | 6, Internally AC coupled |
| Output Data Rate | | | 8.5 | | Gps | |
| RX Clock Tolerance | | | | ±100 | ppm | 5 |
| Differential Output Impedance | R _{out} | | 100 | | Ω | |
| Differential Data Output Amplitude | | 340 | | 850 | mV _{pp} | 6, Internally AC coupled |
| Low-Speed Signal (LVTTTL) Interface Specification | | | | | | |
| Input High Voltage | | 2.0 | | V _{cc} | V | |
| Input Low Voltage | | GND | | 0.8 | V | |
| Output High Voltage | | 2.4 | | V _{cc} | V | |
| Output Low Voltage | | GND | | 0.5 | V | |
| Reference Clock (LVPECL) Interface Specification | | | | | | |
| No reference clock | | | | | | |

5. Clock tolerance for 8.5Gb/s, 4.25Gb/s, 2.12Gb/s, 1.063Gb/s and 1.25 Gb/s.

6. The differential input and output amplitudes are per XFP MSA mask at points B' and C'.

| Transceiver Timing Characteristics | | | | | | |
|------------------------------------|----------------------------------|-----|-----|-----|-------|-------|
| Parameter | Symbol | Min | Typ | Max | Units | Notes |
| TX_DIS Assert Time | t _{off} | | | 10 | μs | |
| TX_DIS Negate Time | t _{on} | | | 2 | ms | |
| Time to Initialize | t _{init} | | | 300 | ms | |
| Interrupt Assert Delay | interrupt _{on} | | | 200 | ms | |
| Interrupt Negate Delay | interrupt _{off} | | | 500 | μs | |
| P_Down/PST Assert Delay | P_Down/RST _{on} | | | 100 | μs | |
| P_Down Negate Delay | P_Down/RST _{off} | | | 300 | ms | |
| Mod_NR Assert Delay | Mod _{nr} _{on} | | | 1 | ms | |
| Mod_NR Negate Delay | Mod _{nr} _{off} | | | 1 | ms | |
| Mod_Desel Assert Time | T _{Mod_Desel} | | | 2 | ms | |
| Mod_Desel De-Assert Time | T _{Mod_Sel} | | | 2 | ms | |
| P_Down Reset Time | T _{reset} | 10 | | | μs | |
| RX_LOS Assert Delay | T _{Los_on} | | | 100 | μs | |
| RX_LOS Negate Delay | T _{Los_off} | | | 100 | μs | |
| Serial ID Clock Rate | f _{SCL} | 0 | | 400 | kHz | |

MANAGEMENT INTERFACE

The structure of the memory map is shown in Figure 1, which is accessible over a 2-wire serial interface at the 8-bit address 1010000X (A0h). The normal 256 byte I2C address space is divided into low and upper blocks of 128 Bytes. The lower block of 128 Bytes is always directly available and is used for the diagnostics and control function. Multiple blocks of memories are available in the upper 128 Bytes of the address space. These are individually addressed through a table select Byte which the user enters into a location in the lower address space. Thus, there is a total available address space of 128*256 = 32 Kbytes in this upper memory space. The contents of Table 01h are listed in Table 1 below. Please refer SFF INF-8077i (Revision 4.5) for detailed information.

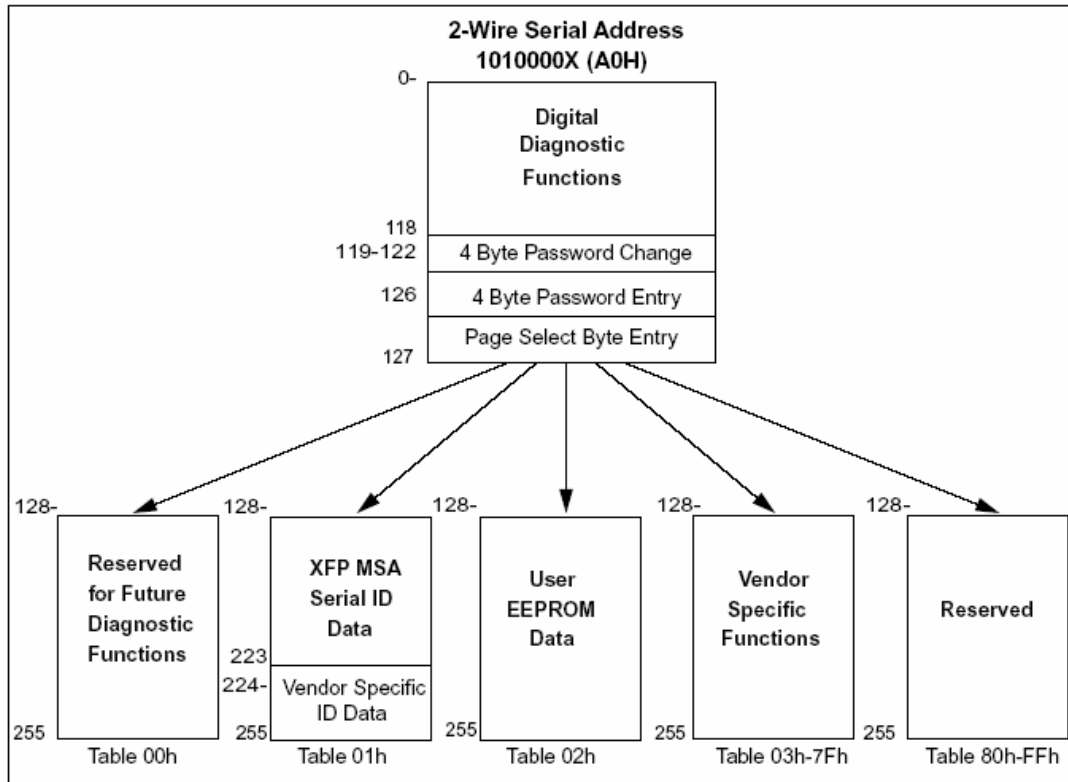


Figure 1. 2-wire Serial Digital Diagnostic Memory Map

Table 1 Monitoring Specification

| Data Address | Parameter | Accuracy |
|--------------|-------------|----------|
| 96 ~ 97 | Temperature | ± 3°C |
| 98 ~ 99 | Reserved | |
| 100 ~ 101 | Tx Bias | ± 10% |
| 102 ~ 103 | Tx Power | ± 2dB |
| 104 ~ 105 | Rx Power | ± 2dB |
| 106 ~ 107 | Vcc3 | ± 3% |

CONNECTION DIAGRAM

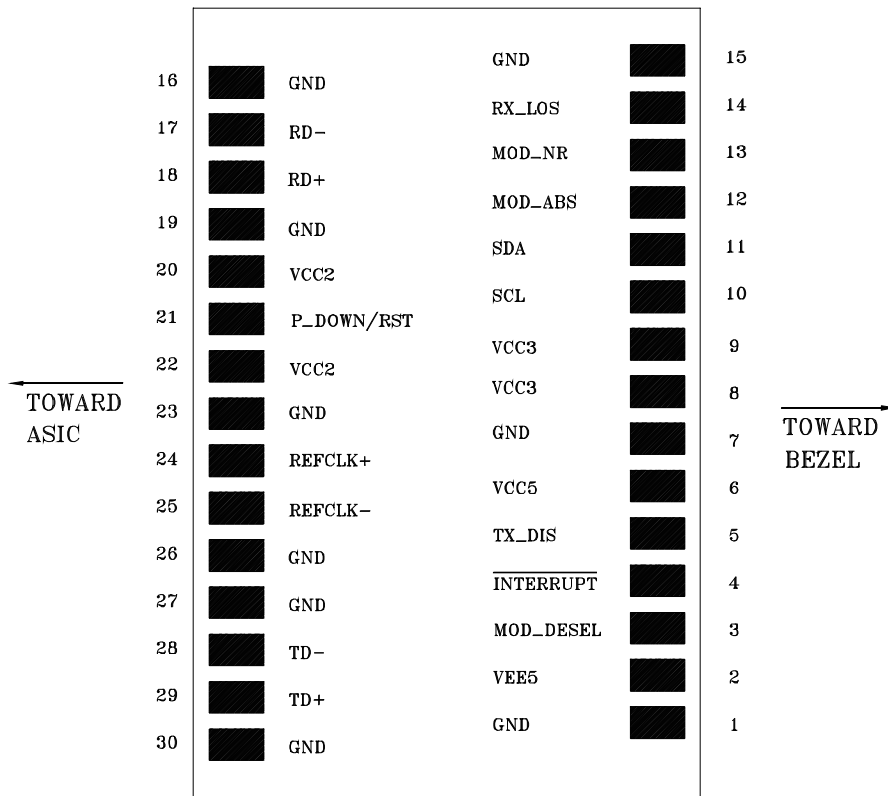


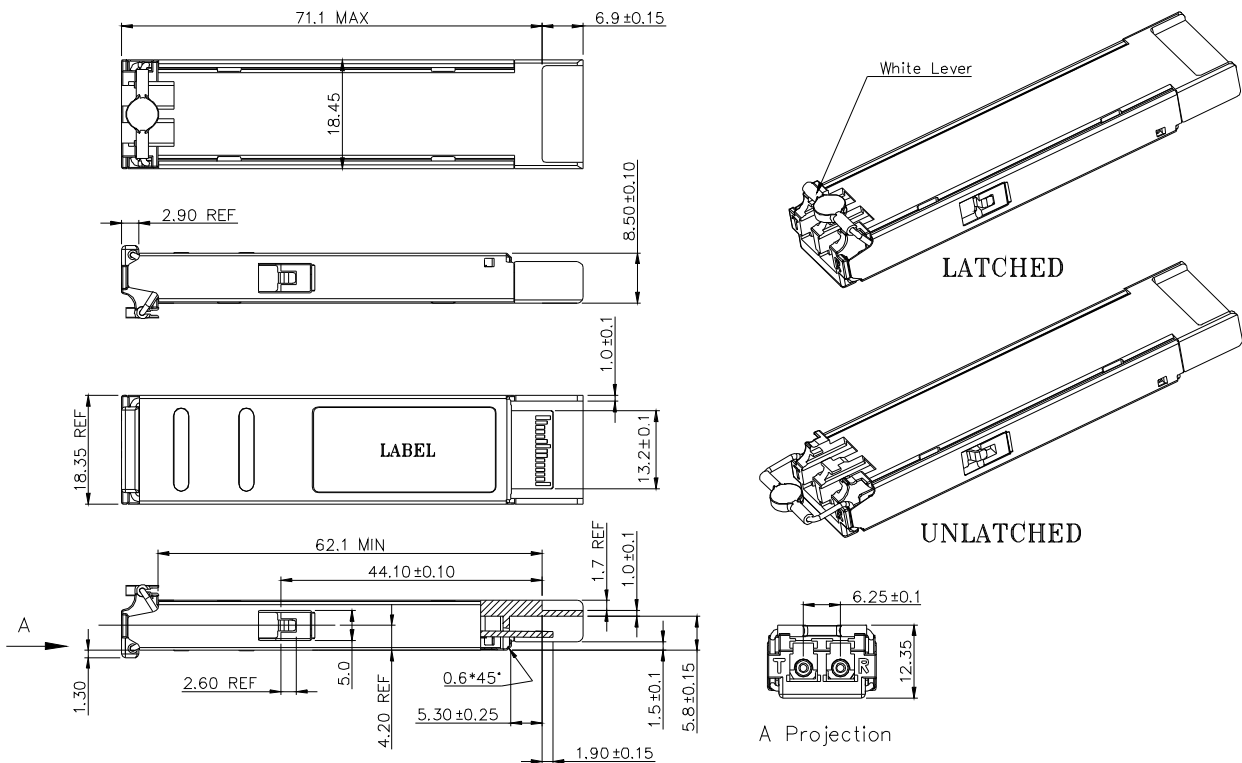
Table 3 PIN Description

| PIN | Logic | Signal Name | Description | Note |
|-----|-----------|-------------|--|------|
| 1 | | GND | Module Ground | 1 |
| 2 | | VEE5 | -5.2V Power Supply (Not required) | 3 |
| 3 | LVTTL-I | Mod_Desel | Module De-select; When held low allows module to respond to 2-wire serial interface | |
| 4 | LVTTL-O | Interrupt | Interrupt; Indicates presence of an important condition which can be read over the 2-wire serial interface | 2 |
| 5 | LVTTL-I | TX_DIS | Transmitter Disable; Turns off transmitter laser output | |
| 6 | | VCC5 | +5V Power Supply | 3 |
| 7 | | GND | Module Ground | 1 |
| 8 | | VCC3 | +3.3V Power Supply | |
| 9 | | VCC3 | +3.3V Power Supply | |
| 10 | LVTTL-I/O | SCL | Serial 2-wire interface clock | 2 |
| 11 | LVTTL-I/O | SDA | Serial 2-wire interface data line | 2 |
| 12 | LVTTL-O | Mod_Abs | Indicates Module is not present. Grounded in the Module | 2 |
| 13 | LVTTL-O | Mod_NR | Module Not Ready; Indicating Module Operational Fault | 2 |
| 14 | LVTTL-O | RX_LOS | Receiver Loss Of Signal Indicator | 2 |
| 15 | | GND | Module Ground | 1 |
| 16 | | GND | Module Ground | 1 |
| 17 | CML-O | RD- | Receiver Inverted Data Output | |
| 18 | CML-O | RD+ | Receiver Non-Inverted Data Output | |
| 19 | | GND | Module Ground | 1 |
| 20 | | VCC2 | +1.8V Power Supply (Not required) | 3 |

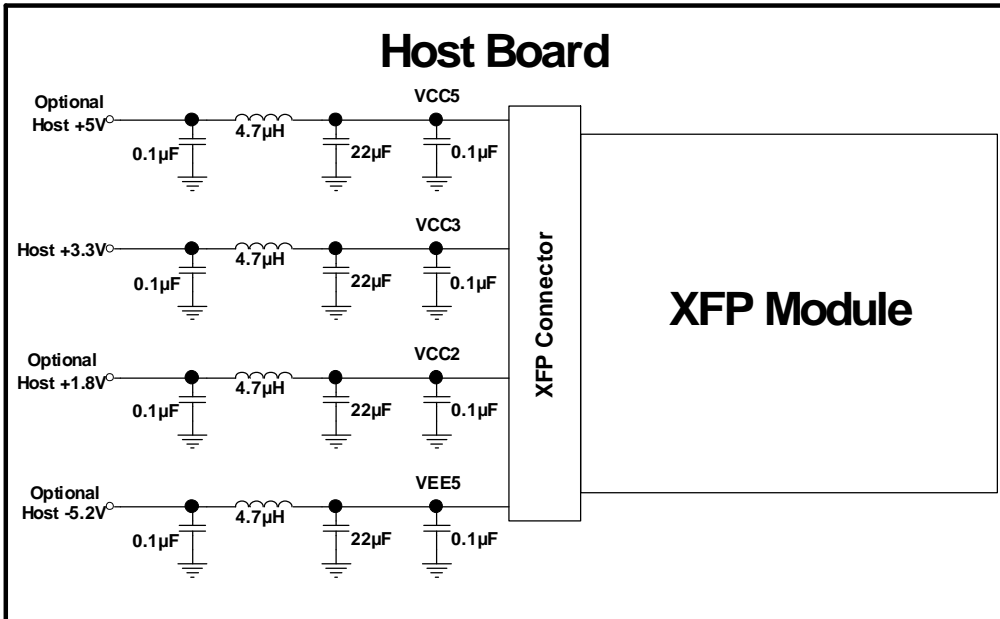
| | | | | |
|----|---------|------------|---|---|
| 21 | LVTTL-I | P_Down/RST | Power down; When high, requires the module to limit power consumption to 1.5W or below. 2-Wire serial interface must be functional in the low power mode. Reset; The falling edge initiates a complete reset of the module including the 2-wire serial interface, equivalent to a power cycle. | |
| 22 | | VCC2 | +1.8V Power Supply (Not required) | 3 |
| 23 | | GND | Module Ground | 1 |
| 24 | PECL-I | RefCLK+ | Reference Clock Non-Inverted Input, AC coupled on the host board. (Not used. Internally terminated to 50 ohm (100 ohm diff.)) | 4 |
| 25 | PECL-I | RefCLK- | Reference Clock Inverted Input, AC coupled on the host board. (Not used. Internally terminated to 50 ohm (100 ohm diff.)) | 4 |
| 26 | | GND | Module Ground | 1 |
| 27 | | GND | Module Ground | 1 |
| 28 | CML-I | TD- | Transmitter Inverted Data Input | |
| 29 | CML-I | TD+ | Transmitter Non-Inverted Data Input | |
| 30 | | GND | Module Ground | 1 |

1. Module ground pins GND are isolated from the module case and chassis ground within the module.
2. Shall be pulled up with 4.7K-10Kohms to a voltage between 3.15V and 3.45V on the host board.
3. These PINs are open within module.
4. A Reference Clock input is not required. If present, it will be ignored.

MECHANICAL SPECIFICATION (UNITS IN MM)



RECOMMENDED POWER CIRCUIT SCHEMATIC



RECOMMENDED INTERFACE CIRCUIT

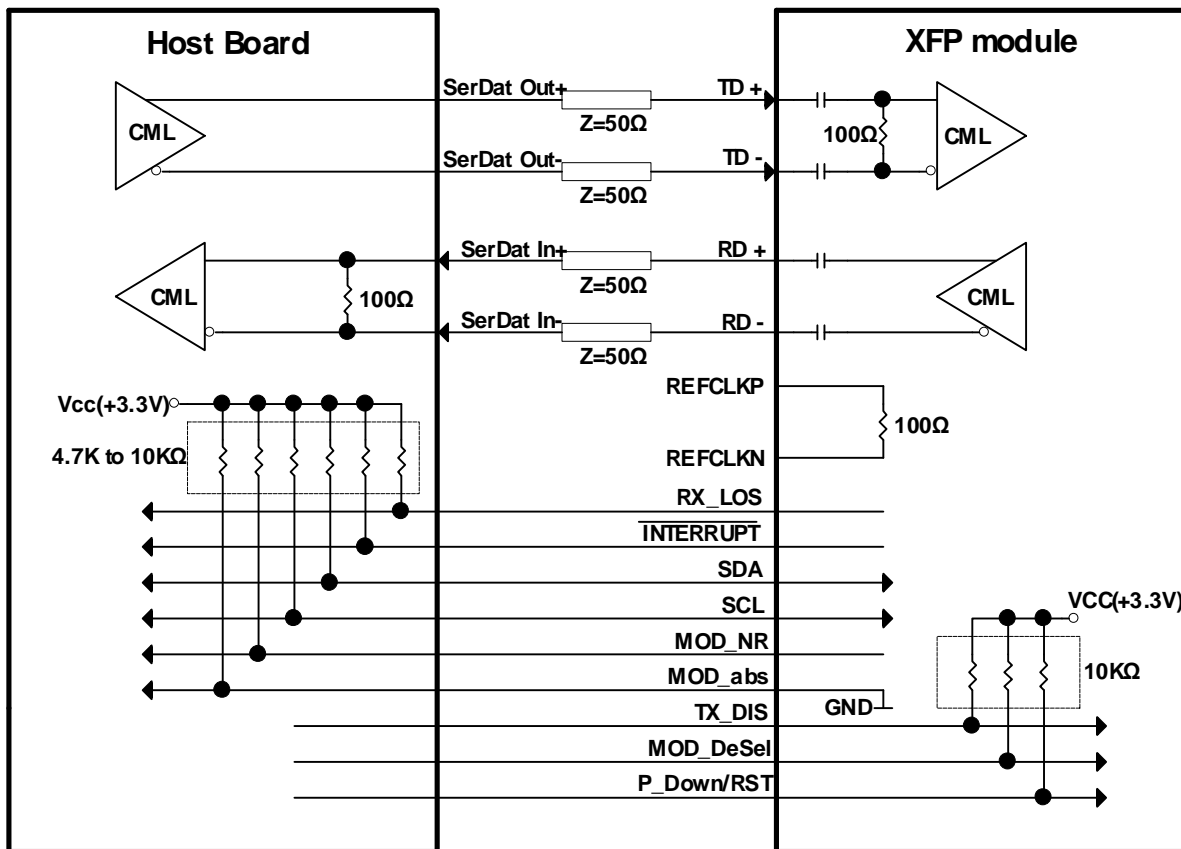


Table 2 Serial ID Memory Contents (Table 01h)

| Address | Field Size (Byte) | Name of Filed | Description | Hex |
|---------|-------------------|----------------------------|--|--|
| 128 | 1 | Identifier | XFP | 06 |
| 129 | 1 | Ext. Identifier | power consumption < 3.5W, no Ref Colck required | 90 |
| 130 | 1 | Connector type | LC connector | 07 |
| 131~138 | 8 | Transceiver | 800-SM-LL-V | 00 00 00 00 00 00 00 00 |
| 139 | 1 | Encoding | 8B/10B, NRZ | 50 |
| 140 | 1 | BR-Min | 1.063Gbps | 0A |
| 141 | 1 | BR-Max | 8.5Gbps | 55 |
| 142 | 1 | length (SMF)-Km | 80 | 50 |
| 143 | 1 | Length (E-50μm) | 0 m | 00 |
| 144 | 1 | Length (50 μm) | 0 m | 00 |
| 145 | 1 | Length (62.5 μm) | 0 m | 00 |
| 146 | 1 | Length (Copper) | 0 m | 00 |
| 147 | 1 | Device Tech | CWDM EML, APD detector | 76 |
| 148~163 | 16 | Vendor name | OPTOWAY | 4F 50 54 4F 57 41 59 20 20 20 20 20 20 20 20 20 |
| 164 | 1 | CDR Support | CDR supports 8.5G ~ 1.063G, XFI Loopback | 01 |
| 165~167 | 3 | Vendor OUI | | 00 0E FA |
| 168~183 | 16 | Vendor PN | XPS-4381W-CXX0G XX = 47, 49, 51, 53, 55, 57, 59, 61 | 58 50 53 2D 34 33 38 31 57 2D 43 3X 3X 30 47 20 |
| 184~185 | 2 | Vendor rev | ASCII ("31 61" means 1a revision) | Xx xx |
| 186~187 | 2 | Wavelength | 1XX1nm, XX = 47, 49, 51, 53, 55, 57, 59, 61 | Xx xx |
| 188~189 | 2 | Wavelength Tolerance | +/- 6.5nm | 05 14 |
| 190 | 1 | Max Case Temp | 70deg | 46 |
| 191 | 1 | CC_BASE | Check sum of Byte 128 -- 190 | |
| 192~195 | 4 | Power Supply | 3.5 Wmax, 1.5W pd_max , 750mA 3.3V, 500 mA 5V | AF 96 A8 00 |
| 196~211 | 16 | Vendor SN | ASCII | xx xx xx xx xx xx xx xx xx xx xx xx xx xx xx xx |
| 212~219 | 8 | Date code | ASCII Year (2 Byte), Month (2 Byte), Day (2 Byte) | Xx xx xx xx xx xx 20 20 |
| 220 | 1 | Diagnostic Monitoring Type | No BER Support, Average Power | 08 |
| 221 | 1 | Enhanced Options | Optional Soft TX_DISABLE implemented, Optional Soft P_down implemented | 60 |
| 222 | 1 | Aux Monitoring | AUX1 for Vcc3. | 70 |
| 223 | 1 | CC_EXT | Check sum of Byte 192 -- 222 | |
| 224~255 | 32 | Vendor Specific | | Reserved |

Note: Specifications subject to change without notice.

REVISION HISTORY

| Version | Subject | Release Date |
|---------|----------------------------------|--------------|
| 1.0 | Initial datasheet | 2008/11/1 |
| 2.0 | Update TX power to (+4 to 0 dBm) | 2009/7/1 |
| | | |
| | | |
| | | |
