



**SANYO Semiconductors**

# DATA SHEET

# LA3883M

Monolithic Linear IC

For Car television

**SIF + noise canceller + Japanese television  
sound multiplex demodulator.**

## Overview

The LA3883M is a signal processing IC for car TV systems, which incorporates TV SIF, noise canceller, and sound multiplex demodulator on a single chip.

## Functions

[SIF block]

- OSC circuit built-in.(f = 43.55MHz)
- Differential IF amplifier
- S meter output 6-phase pick-up.
- AF pre-amplifier
- SD output (operating with remote mute)
- Noise canceller block
- Twin pulse noise elimination
  - main pulse noise elimination
  - Sub pulse noise elimination
- Diversity switching noise elimination

- MIXER
- IF limiter amplifier
- Quadrature type detector
- Small input muting
- Independent setting of noise focused point and mute start point.

[Sound multiplex demodulation block]

- Stereo/bilingual supported
- Q-BPF, SUB-BPF, and DE-EMPHASIS built-in.
- Q signal detection function 922.5Hz(BIL), 982.5Hz(ST) detection
- SUB signal demodulation function pulse count detection
- MAIN/SUB/DUAL output signal switching function
- STEREO/BILINGUAL display output
- MUTE function
- MRC(Multi pass noise Reduction Circuit)built-in.

- SNC/HCC

■ Any and all SANYO Semiconductor Co.,Ltd. products described or contained herein are, with regard to "standard application", intended for the use as general electronics equipment (home appliances, AV equipment, communication device, office equipment, industrial equipment etc.). The products mentioned herein shall not be intended for use for any "special application" (medical equipment whose purpose is to sustain life, aerospace instrument, nuclear control device, burning appliances, transportation machine, traffic signal system, safety equipment etc.) that shall require extremely high level of reliability and can directly threaten human lives in case of failure or malfunction of the product or may cause harm to human bodies, nor shall they grant any guarantee thereof. If you should intend to use our products for applications outside the standard applications of our customer who is considering such use and/or outside the scope of our intended standard applications, please consult with us prior to the intended use. If there is no consultation or inquiry before the intended use, our customer shall be solely responsible for the use.

■ Specifications of any and all SANYO Semiconductor Co.,Ltd. products described or contained herein stipulate the performance, characteristics, and functions of the described products in the independent state, and are not guarantees of the performance, characteristics, and functions of the described products as mounted in the customer's products or equipment. To verify symptoms and states that cannot be evaluated in an independent device, the customer should always evaluate and test devices mounted in the customer's products or equipment.

**SANYO Semiconductor Co., Ltd.**

TOKYO OFFICE Tokyo Bldg., 1-10, 1 Chome, Ueno, Taito-ku, TOKYO, 110-8534 JAPAN

# LA3883M

## Specifications

Maximum Ratings at Ta = 25°C

Parameter	Symbol	Conditions	Ratings	Unit
Maximum supply voltage	V <sub>CC</sub> max		10	V
Allowable power dissipation	Pd max	Ta ≤ 85°C *	1000	mW
Operating temperature	Topr		-40 to +85	°C
Storage temperature	Tstg		-40 to +150	°C

\* Mounted on a 114.3mm×76.1mm×1.6mm, glass epoxy board.

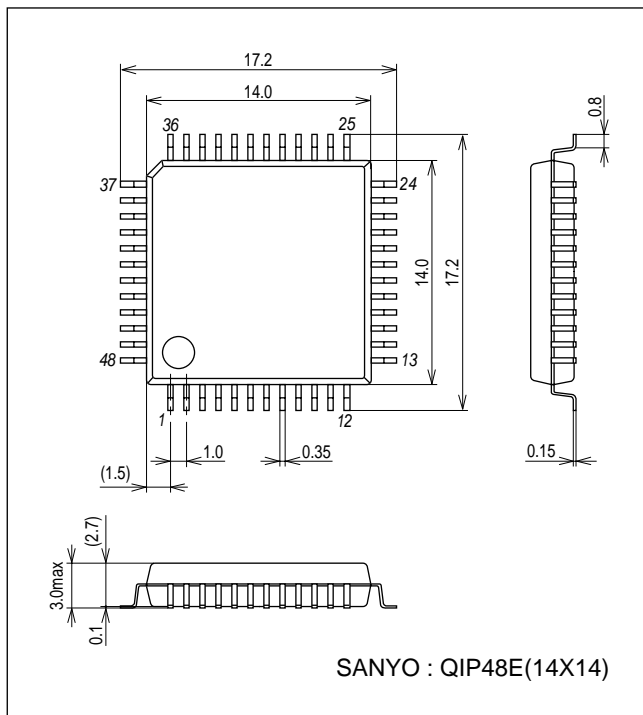
Operating Conditions at Ta = 25°C

Parameter	Symbol	Conditions	Ratings	Unit
Recommended supply voltage	V <sub>CC</sub>		8	V
Operating supply voltage	V <sub>CC</sub> op		7.5 to 8.5	V
Input signal voltage	V <sub>IN</sub>	MONO, 100% mod	80	mV

## Package Dimensions

unit : mm (typ)

3156A



**Electrical Characteristics** at  $T_a = 25^\circ\text{C}$ ,  $V_{CC} = 8\text{V}$

Parameter	Symbol	Input Conditions	Test Conditions	min	typ	max	unit
Current drain	I <sub>CCO</sub>	No signal		80	100	115	mA
<b>Mixer block (Mixer input – Mixer output)</b>							
Mixer change output level	V <sub>O-Mix</sub>	fr = 54.25MHz, 100dB <sub>i</sub> -IN, Non-dev.	Mixer coil output load resistance = 330Ω Mixer output (10.7MHz) level	175	250	350	mVrms
<b>SIF block (IF input – IF output)</b>							
Detection output	V <sub>O-IF</sub>	Unless otherwise specified, fr = 10.7MHz, 100dB <sub>i</sub> -IN fm = 1kHz, 25kHz-dev.	Unless otherwise specified, PIN24, IHF-BPF IN	70	95	125	mVrms
Distortion ratio	THD-IF				0.5	0.9	%
S/N ratio	S/N-IF			61	68		dB
AM control ratio	AMR	IF-IN = 90dB <sub>i</sub> , AM30% mod, fm = 1kHz		50	57		dB
Input limiting voltage	V <sub>i-Lim</sub>	Input level at which output level becomes -3dB.		34	34	40	dB <sub>μ</sub>
SD sensitivity	SD-sen	2·1PIN→LOW, R33 = 15kΩ Input level that becomes SD-ON.	PIN32 output (DC)	58	68	78	dB <sub>μ</sub>
Muting sensitivity	V <sub>i-Mute</sub>	Input level that becomes V26 = 2V, R26 = 22kΩ	PIN26 voltage (DC)	24	29	35	dB <sub>μ</sub>
Muting band	BW	Frequency band width that becomes V26 < 2V.	PIN26 voltage (DC)	80	150	240	kHz
S meter output	V <sub>IN</sub> = no input	V <sub>IN</sub> = 0dB <sub>μ</sub> , Non-modulation, R31 = 22kΩ			0.1	0.3	V
	V <sub>IN</sub> = 60dB <sub>μ</sub>	V <sub>IN</sub> = 60dB <sub>μ</sub> , Non-modulation		0.5	1.2	2.0	V
	V <sub>IN</sub> = 80dB <sub>μ</sub>	V <sub>IN</sub> = 80dB <sub>μ</sub> , Non-modulation		2.0	3.1	4.2	V
	V <sub>IN</sub> = 100dB <sub>μ</sub>	V <sub>IN</sub> = 100dB <sub>μ</sub> , Non-modulation		4.0	5.1	6.2	V
Mute drive output	V <sub>i-Mute</sub>	V <sub>IN</sub> = 100dB <sub>μ</sub> , Non-modulation	PIN26 voltage (DC)			0.2	V
<b>Sound multiplex demodulation block</b>							
Output level	V <sub>O</sub>	Unless otherwise specified, fm=1kHz, : Referenced to MONO = 100% (80mVrms)	Unless otherwise specified, PIN13, IHF-BPF IN	285	360	450	mVrms
Output channel balance	CB		PIN13/14 output level difference	-1.5	0	+1.5	dB

Continued on next page.

Continued from preceding page.

Parameter	Symbol	Input Conditions	Test Conditions	min	typ	max	unit
S/N ratio	MONO			55	62		dB
	ST	L+R = 100%		52	59		dB
	BIL-M/M	MAIN = 100%, V39 = Low		52	62		dB
	BIL-S/S	SUB = 100%, V39 = High		50	58		dB
Output channel separation	SEP	L or R signal input	Output level difference for L/R input. (When adjusted to Sep max with Sep. ADJ.)	25	35		dB
SNC-1 (V <sub>snc</sub> = separation for 0.5V)	SNC-1	Separation when VSNC (pin 7) = 0.5V.		3	7	11	dB
SNC-2 (V <sub>snc</sub> = separation for 0.1V)	SNC-2	Separation when VSNC (pin 7) = 0.1V.		0	0.3	1	dB
HCC output attenuation	HCC-1	f <sub>m</sub> = 10kHz, MONO Attenuation when VHCC (PIN9) = 0.5V.	Attenuation from output level when VHCC = 3V.	-3.5	-6	-8.5	dB
	HCC-2	f <sub>m</sub> = 10kHz, MONO Attenuation when VHCC (PIN9) = 0.1V.	Attenuation from output level when VHCC = 3V.	-6.5	-9	-11.5	dB
Distortion	MONO				0.5	1.2	%
	ST-L+R	L+R = 100%			0.5	1.2	%
	SUB	SUB = 100%			0.9	2.0	%
Q detection sensitivity	ST	PIN = 21 → High Calculated level for L+R.	The level at which pin 32 becomes Low.		20	45	mVrms
	BIL	Calculated level for MAIN.	The level at which pin 21 becomes Low.		20	45	mVrms
Capture range	ST+	Detection range (+ side) when the Q signal (982.5 Hz) frequency is variable.	(Limited frequency/982.5) × 100 [%]		+0.66		%
	ST-	Detection range (- side) when the Q signal (982.5 Hz) frequency is variable.	(Limited frequency/982.5) × 100 [%]		-0.45		%
	BIL+	Detection range (+ side) when the Q signal (922.5 Hz) frequency is variable.	(Limited frequency/922.5) × 100 [%]		+0.70		%
	BIL-	Detection range (- side) when the Q signal (922.5 Hz) frequency is variable.	(Limited frequency/922.5) × 100 [%]		-0.27		%

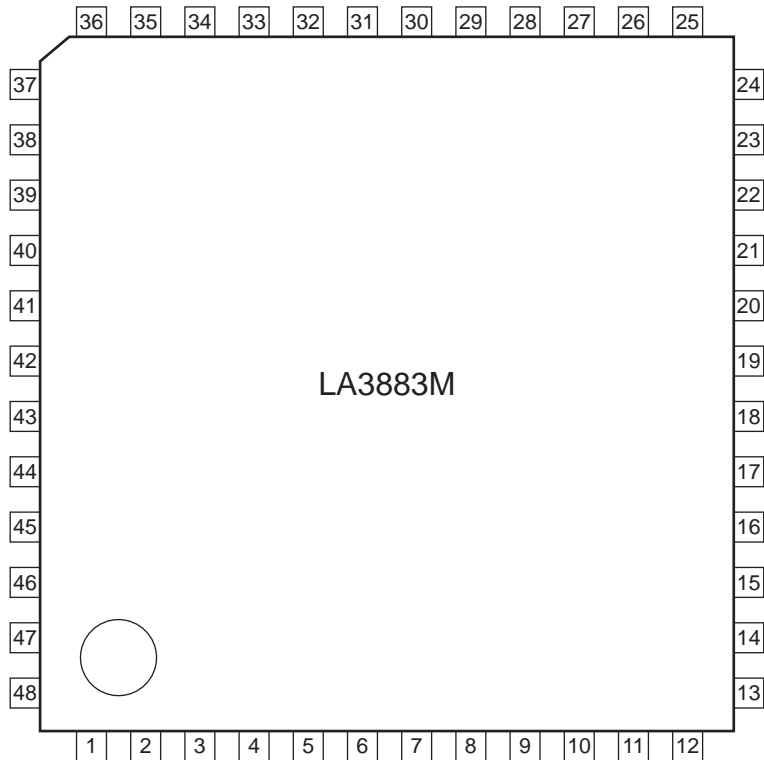
Continued on next page.

Continued from preceding page.

Parameter	Symbol	Input Conditions	Test Conditions	min	typ	max	unit
Crosstalk	MAIN→S/S	MAIN=100%	Main signal leak level for the SUB/SUB mode.	44	49		dB
	SUB→M/M	SUB=100%	SUB signal leak level for the MAIN/MAIN mode.	53	60		dB
Mode switching voltage	MAIN	Pin 39 voltage for switching to the SUB/SUB mode.		GND		0.5	V
	DUAL	Pin 39 voltage for switching to DUAL mode.		1.7		3.2	V
	SUB	Pin 39 voltage for switching to MAIN/MAIN mode.		4.5		V <sub>DD</sub>	V
Output DC offset	MONO/ST	mod. = 0%	Output DC voltage difference for MONO/ST.	-80		+80	mV
	MONO/BIL	mod. = 0%	Output DC voltage difference for MONO/BIL.	-80		+80	mV
	MONO/MUTE	mod. = 0%	Output DC voltage difference for MONO/MUTE.	-100		+100	mV
Mute sensitivity (V <sub>25</sub> = 2.5V)	ATT	Output attenuation when V <sub>25</sub> = 0→2V.		28	35	42	dB
<b>MRC block</b>							
MRC output	MRC-OUT	V <sub>10</sub> = 2.5V, PIN35 input (70kHz, 5mVrms)	PIN8 output voltage (DC)	1.9	2.05	2.2	mVrms
MRC operating level	MPC OP	Pin 35 input level (f <sub>c</sub> = 70kHz) that becomes V <sub>10</sub> = 2.5V, V <sub>B</sub> = 1.5V.	PIN8 output voltage (DC)	10	25	42	mVrms
<b>Noise canceller block</b>							
Gate time (1) t gate 1 [Design value]	τ gate1	PW = 1μsec, 100mVp-o, f = 1kHz PULSE-INPUT	The time when pin 4 voltage is Low at PIN4→100kΩ→GND.		9		μs
Gate time (1) t gate 2 [Design value]	τ gate2	PW = 1μsec, 100mVp-o, f = 1kHz PULSE-INPUT	The time when pin 48 voltage is Low at PIN48→100kΩ→GND.		84		μs
Noise sensitivity (1kHz, 1μs, PULSE INPUT)	NS	PW = 1μsec, f = 1kHz, PULSE-INPUT	Pulse input level to start the Gate operation (pin 4, pin 48 are low).		16		mVp-p

# LA3883M

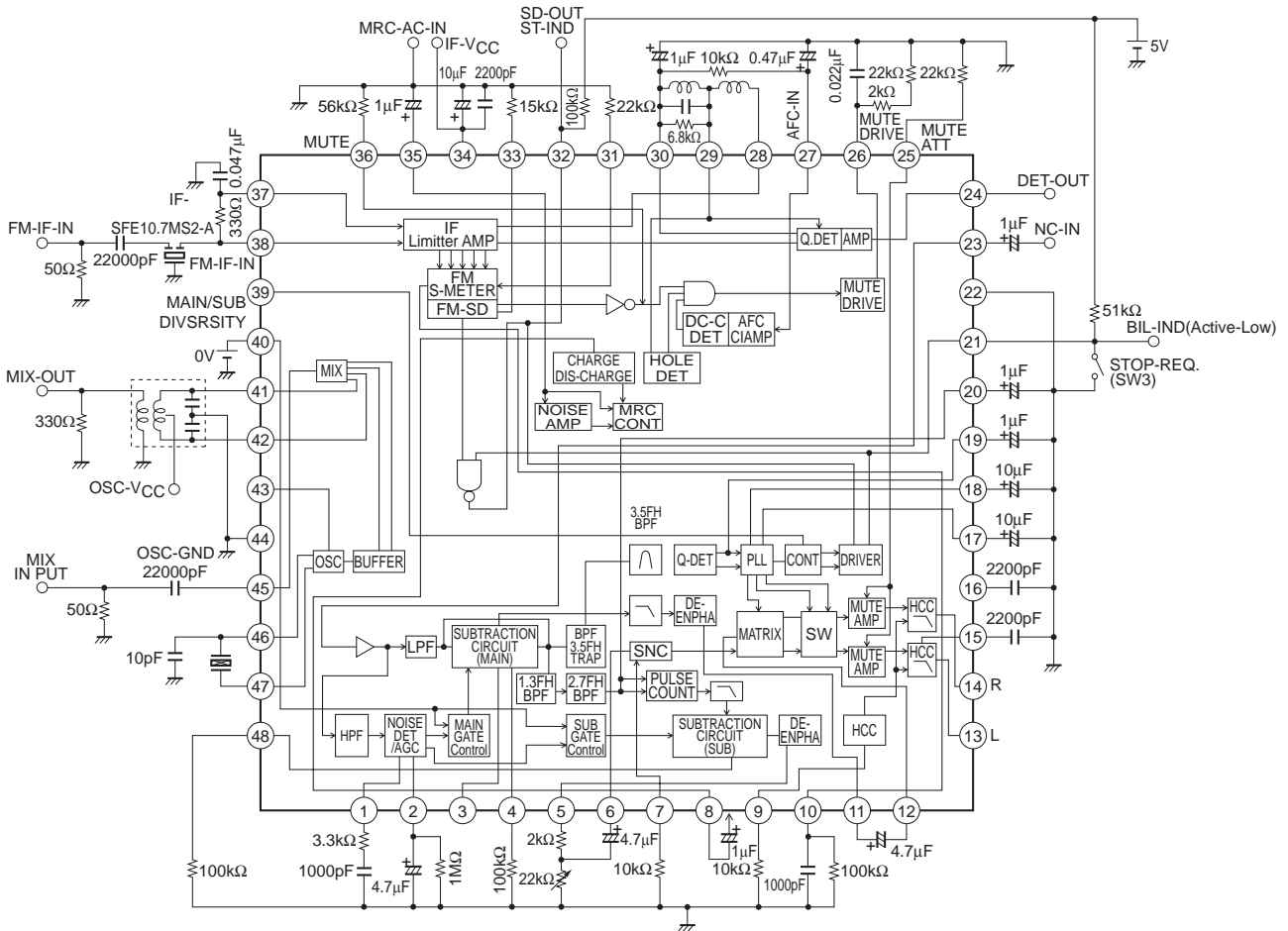
## Pin Assignment



## Pin function

Pin No.	Block	Function	Pin No.	Block	Function
1	NC	Noise sensitivity setting	25	IF	Setting of mute attenuation
2	NC	Noise AGC setting	26	IF	Mute drive output
3	NC	Low-Pass-Filter OUT	27	IF	AFC IN
4	NC	Hold circuit (MAIN)	28	IF	QD OUT
5	Multiplex	SUB demodulation signal output	29	IF	QD IN
6	Multiplex	MATRIX circuit SUB input	30	IF	VREF
7	Multiplex	SNC control input pin	31	IF	S meter shifter
8	MRC	MRC output pin	32	Multiplex	ST. indicator and SD output/ST
9	Multiplex	HCC control input pin	33	IF	SD.ADJ.
10	Multiplex	S meter output	34		V <sub>CC</sub> (Sound Multiplex)
11	Multiplex	MAIN demodulation signal output	35	IF	S meter output (for MRC)
12	Multiplex	MATRIX circuit MAIN input	36	IF	Mute On ADJ.
13	Multiplex	Lch output	37	IF	IF-BYPASS
14	Multiplex	Rch output	38	IF	IF input
15	Multiplex	Capacitor (L) for High-Cut	39	Multiplex	BLL. Mode selector pin
16	Multiplex	Capacitor (R) for High-Cut	40	NC	Density gate control
17	Multiplex	Q signal detection (BIL)	41	FE	MIX output
18	Multiplex	Q signal detection (ST)	42	FE	MIX output
19	Multiplex	Q signal filter output	43		V <sub>CC</sub> (OSC)
20	Multiplex	SUB signal filter output	44		GND(OSC)
21	Multiplex	BIL.IND and STOP request	45	FE	MIX input
22		GND (Sound Multiplex)	46	FE	OSC
23	NC	Noise canceller input	47	FE	OSC
24	IF	IF detection output	48	NC	Hold circuit (SUB)

Block Diagram and Test Circuit



- SANYO Semiconductor Co.,Ltd. assumes no responsibility for equipment failures that result from using products at values that exceed, even momentarily, rated values (such as maximum ratings, operating condition ranges, or other parameters) listed in products specifications of any and all SANYO Semiconductor Co.,Ltd. products described or contained herein.
- SANYO Semiconductor Co.,Ltd. strives to supply high-quality high-reliability products, however, any and all semiconductor products fail or malfunction with some probability. It is possible that these probabilistic failures or malfunction could give rise to accidents or events that could endanger human lives, trouble that could give rise to smoke or fire, or accidents that could cause damage to other property. When designing equipment, adopt safety measures so that these kinds of accidents or events cannot occur. Such measures include but are not limited to protective circuits and error prevention circuits for safe design, redundant design, and structural design.
- In the event that any or all SANYO Semiconductor Co.,Ltd. products described or contained herein are controlled under any of applicable local export control laws and regulations, such products may require the export license from the authorities concerned in accordance with the above law.
- No part of this publication may be reproduced or transmitted in any form or by any means, electronic or mechanical, including photocopying and recording, or any information storage or retrieval system, or otherwise, without the prior written consent of SANYO Semiconductor Co.,Ltd.
- Any and all information described or contained herein are subject to change without notice due to product/technology improvement, etc. When designing equipment, refer to the "Delivery Specification" for the SANYO Semiconductor Co.,Ltd. product that you intend to use.
- Information (including circuit diagrams and circuit parameters) herein is for example only; it is not guaranteed for volume production.
- Upon using the technical information or products described herein, neither warranty nor license shall be granted with regard to intellectual property rights or any other rights of SANYO Semiconductor Co.,Ltd. or any third party. SANYO Semiconductor Co.,Ltd. shall not be liable for any claim or suits with regard to a third party's intellectual property rights which has resulted from the use of the technical information and products mentioned above.

This catalog provides information as of May, 2007. Specifications and information herein are subject to change without notice.