

## Cable Plug Connectors

### Series A, 4-Position, Overmold Hardware Kit

**Part No. 796002-2**

Plug Shell

**Part No. 796004-2**

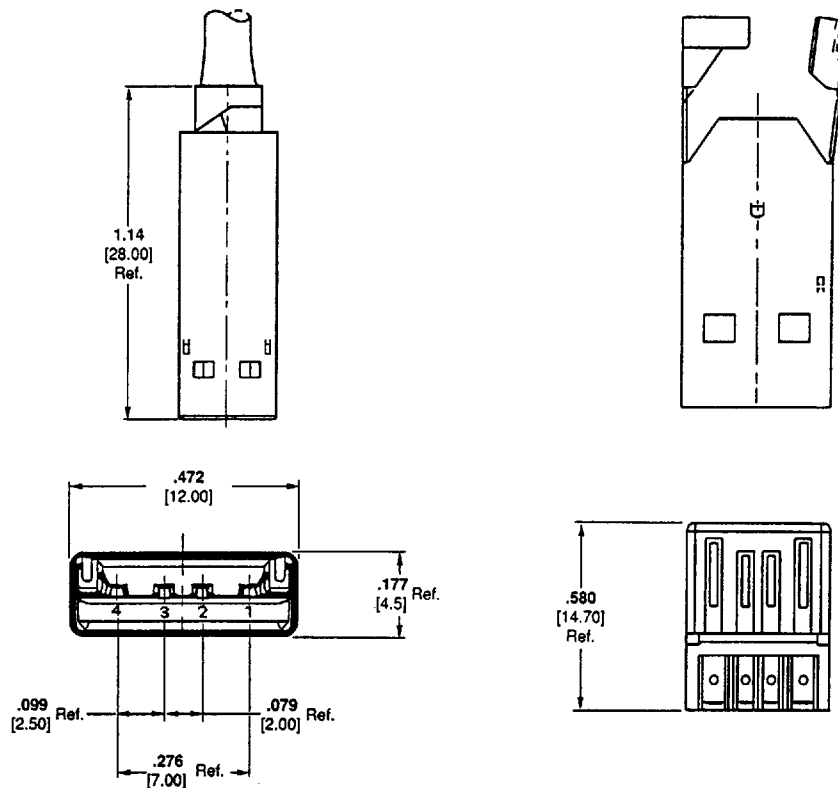
Plug Housing & Contact Assembly

#### Material and Finish:

**Housing**—Thermoplastic, UL 94V-0 rated, black

**Shell**—Steel, plated .000197 (0.005) min. bright tin

**Contacts**—Copper Alloy, plated .000003 (0.000076) min. gold over .000030 (0.00076) min. palladium-nickel on the mating end, .0015 (0.38) min. tin lead on solder tabs, all over .000050 (0.00127) min. nickel underplating or .000030 (0.00076) min. gold on the mating end, .0015 (0.38) min. tin lead on solder tabs, all over .000050 (0.00127) min. nickel underplating



### Series B, USB 4-Position, Overmold Hardware Kit

**Part No. 796007-2**

Plug Shell

**Part No. 796006-2**

Plug Housing & Contact Assembly

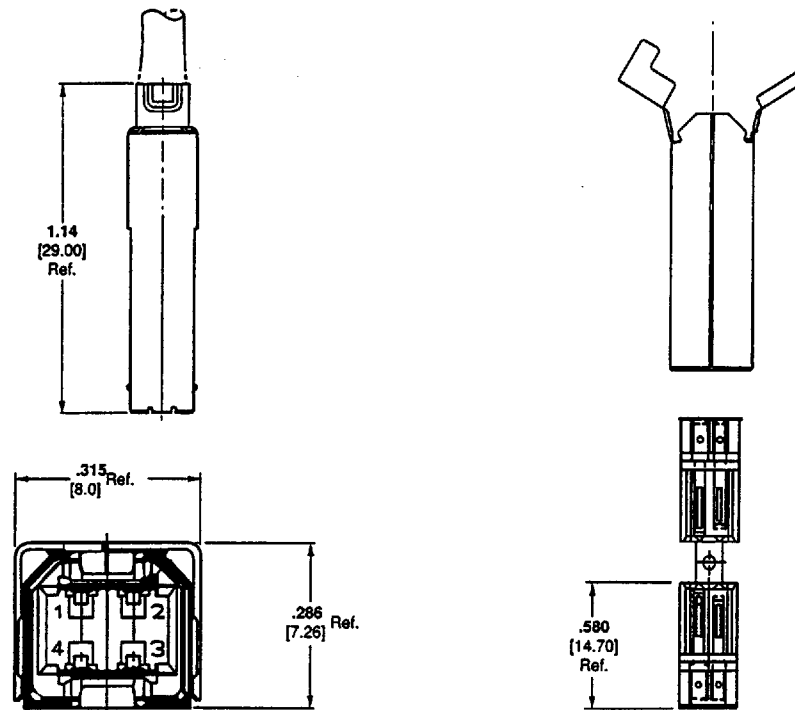
#### Material and Finish:

**Housing**—Thermoplastic, UL 94V-0 rated, black

**Shell**—Steel, plated .000197 (0.005) min. bright tin

**Product Specification**—108-1586

**Contacts**—Copper Alloy, plated .000003 (0.000076) min. gold over .000030 (0.00076) min. palladium-nickel on the mating end, .0015 (0.38) min. tin lead on solder tabs, all over .000050 (0.00127) min. nickel underplating or .000030 (0.00076) min. gold on the mating end, .0015 (0.38) min. tin lead on solder tabs, all over .000050 (0.00127) min. nickel underplating



## Introduction

### Product Facts

- Plug and Play capability
- Hot pluggable, permits attaching or detaching peripherals without power down or reboot
- Single 4-position connector, polarized for proper orientation
- Complete family of board-mount receptacles, including right-angle, thru-hole, thru-hole type B, side-by-side, and stacked
- Receptacle housings are made of UL 94V-0 rated low temp or high temp
- Shells are made of copper alloy, plated bright tin
- Cable mount overmold plug kits for both standard and type B applications
- Consolidates serial parallel, keyboard, mouse and game ports
- Compatible with asynchronous and isochronous data transfer methods
- Compatible with Windows '95 and Windows NT operating systems
- Outside-the-box for user friendly flexibility for attaching external peripherals or reconfiguring your system
- Broad industry support from a consortium of computer and peripheral equipment manufacturers

Product Specification—108-1586

Produced under a Quality Management System certified to ISO 9001

A copy of the certificate is available upon request



### Performance Characteristics

#### AMP USB Connector System:

<b>Voltage Rating —</b>	30 VAC (rms)
<b>Current Rating —</b>	Signal application only, 1 amp per contact
<b>Temperature Rating —</b>	-55°C to 85°C (unless limited by cable or overmold)
<b>Termination Resistance —</b>	30 milliohms, max.
<b>Insulation Resistance —</b>	1000 megohms, min.
<b>Dielectric withstanding Voltage —</b>	750 VAC at sea level
<b>Capacitance —</b>	2 picofarads, max.
<b>Durability —</b>	1500 cycles
<b>Mating Force —</b>	1 oz. [35 N] per contact, max.
<b>Unmating Force —</b>	.286 oz. [10 N] per contact, max.

#### Universal Serial Bus:

<b>Speed —</b>	12 Mb/s
<b>Max. No. of Peripherals —</b>	63
<b>Max. Distance —</b>	16.4 ft. [5 m], max.
<b>Data Transfer —</b>	Asynchronous and Isochronous

The AMP Connector System will accommodate the two differentially driven data wires that provide bi-directional, simultaneous signals for full speed 12 Mbps or for low speed 1.5 Mbps used in Universal Serial Bus (USB) Systems.

The AMP USB System is a complete interconnection technology for I/O devices, including: keyboards, mice, game ports, serial port devices, digital audio, printers, scanners, modems, joy sticks, and other telecommunication devices.

Designed for outside-of-box, user friendly applications, the AMP system consists of a single 4-position boardmount receptacle and mating cable mount overmolded plug.

Boardmount receptacles are available in standard, Type B, stacked and side-by-side configurations adding to the system's versatility to meet all USB applications.

The AMP USB system is completely compatible with today's need for plug-and-play, as well as providing hot pluggability. Now there is no need to shut-down your system to modify your system. With the AMP hot pluggable interconnection system you can mix and match peripheral devices while your system is powered-up.

#### Need more information?

Call the AMP Product Information Center:  
**1-800-522-6752.**

The Product Information Center is staffed with specialists well versed in all AMP products. The Center can provide:

- Engineering Support
- Catalogs
- Technical Documents
- Product Samples
- AMP FAX Service
- AMP Authorized Distributor Locations

AMP and AMP FAX are trademarks.

Windows '95 and Windows NT are trademarks of Microsoft Corporation.