

RECOMMENDED P.C.B. LAYOUT (THICKNESS=1.6mm)
(TOP VIEW)

NOTE:

- MATERIAL:**
HOUSING: THERMOPLASTIC, UL 94V-0 RATED, COLOR: BLACK.
CONTACT: COPPY ALLOY (t=0.25mm).
FRONT SHIELD: COPPY ALLOY (t=0.30mm).
REAR SHIELD: STEEL (t=0.30mm).
GROUNDING STRIP: COPPY ALLOY (t=0.30mm).
- FINISH:**
CONTACT: UNDER PLATED 50u" MIN. NICKEL ALL OVER 120u" MIN. TIN/LEAD IN SOLDERING AREA. GOLD FLASH IN CONTACT AREA.
SHELL: L: BRIGHT TIN/LEAD, PLATED WITH 120u" THICK. OVER 50u" THICKNESS Cu.
- SPECIFICATIONS:**
ELECTRICAL:
VOLTAGE RATING: 30V
CURRENT RATING: 1.0A
INSULATION RESISTANCE: 1000 MEGAOHMS MIN.
CONTACT RESISTANCE: 30 MILLIOHMS MAX.
DIELECTRIC WITHSTANDING VOLTAGE: 750 VAC AT SEA LEVEL
MECHANICAL:
CONTACT RETENTION: 612g MIN.
INSERTION FORCE: 3.57KG MAX.
WITHDRAWAL FORCE: 1.02KG MIN.
ENVIRONMENTAL:
OPERATING TEMPERATURE: -55°C TO 85°C.
- THE PART NUMBER MUST COMPLY WITH QUALIFICATION TEST REPORT: 501-57112.

440475-1
PART NUMBER

0	FIRST RELEASED	FW00-0056-01	OH	18-MAY-2001
LTR	REVISION RECORD	ECN	DR	DATE

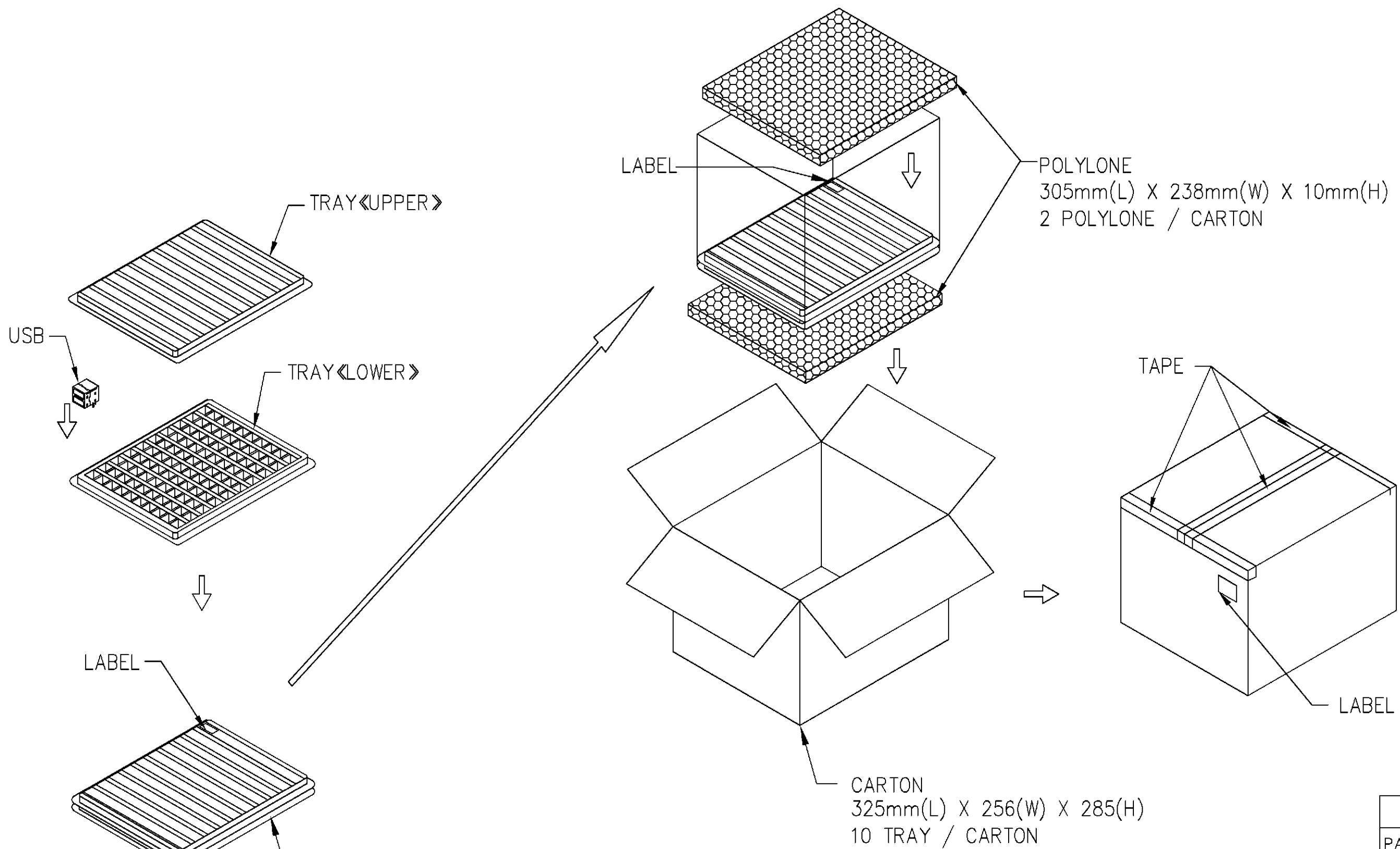
DIMENSION :	DR.	O. HU	AMP INCORPORATED. IPO		
		18-MAY-2001			
MATERIAL	CHK.	J. CHENG	NAME RECEPTACLE ASSEMBLY, RIGHT ANGLE, STACKED, DIP, USB, A TYPE.		
		18-MAY-2001			
FINISH	APP.	J. WU	LOC SIZE DRAWING NO REV DW A3 C-440475 0		
		18-MAY-2001			
	PRODUCT SPEC	108-57073	SCALE SHEET -- 1 OF 2		
	APPLICATION SPEC				
	WEIGHT				

NUMBER C-440475

METRIC 3RD ANGLE PROJECTION

THIS INFORMATION IS CONFIDENTIAL AND IS DISCLOSED TO YOU ON CONDITION THAT NO FURTHER DISCLOSURE IS MADE BY YOU TO OTHER THAN AMP PERSONNEL WITHOUT WRITTEN AUTHORIZATION FROM AMP (TAIWAN) LTD. DIMENSIONS IN MILLIMETERS. DO NOT SCALE PRINT.

PRINT DIST DW



TRAY
307mm(L) X 235mm(W) X 24mm(H)
100 USB CONNECTOR / TRAY

CARTON
325mm(L) X 256(W) X 285(H)
10 TRAY / CARTON

POLYLONE
305mm(L) X 238mm(W) X 10mm(H)
2 POLYLONE / CARTON

440475-1
PART NUMBER

DIMENSION :	0 PLC ±	DR.	O. HU	AMP INCORPORATED. IPO
	1 PLC ±0.35		18-MAY-2001	
MATERIAL	2 PLC ±0.25	CHK.	J. CHENG	RECEPTACLE ASSEMBLY, RIGHT ANGLE, STACKED, DIP, USB, A TYPE.
	3 PLC ±		18-MAY-2001	
FINISH	ANGLES ±'	APP.	J. WU	LOC DW A ₃ DRAWING NO C-440475 REV 0
			18-MAY-2001	
	SEE NOTE	PRODUCT SPEC	108-57073	SCALE -- SHEET 2 OF 2
	SEE NOTE	APPLICATION SPEC		
		WEIGHT		

SEE SHEET 1	ECN	DR	DATE
LTR	REVISION RECORD	CHK	