

# RED INDICATES ORIGINAL

DATA CONTAINED IN THIS DOCUMENT IS PROPRIETARY TO TROMPETER ELECTRONICS INC. AND SHALL NOT BE DISCLOSED, COPIED OR USED FOR REPRODUCTION OR MANUFACTURE WITHOUT EXPRESS WRITTEN PERMISSION.

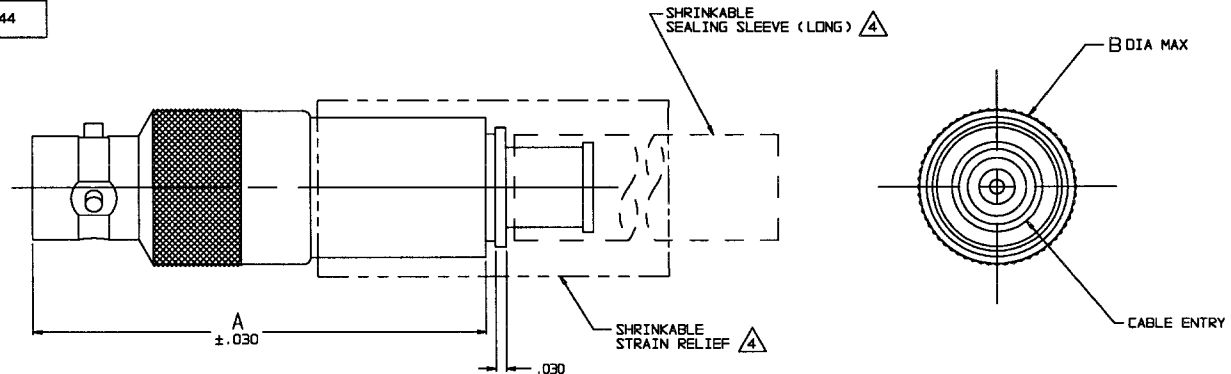
REV		ED		DESCRIPTION	DWN	APPROVED	DATE
M	12392	ADDED	-224 & -225;	SEE ECO	DBN	WM	5/18/98

REVISIONS		3-0226	SH 1
		APPROVED	DATE

DASH NO	CABLES ACCOMMODATED	A DIM	B DIA	C HEX	ASSEMBLE PER
-201	M17/176-00002	1.164	.349	.255	TAI-143
-202	TWC-78-1				
-203	TWC-124-1A				
-204	10602, RAYCHEM				
-205	TWAC-78-1F2				
-206	782600130, RAYCHEM	1.289	.452	.344	TAI-167
-207	83310 BELDEN				
-208	202-3927 MICRODOT	1.164	.349	.255	TAI-143
-209	202-3942 MICRODOT				
-210	8451 BELDEN	1.289	.452	.344	TAI-144
-211	202-3934 MICRODOT				
-212	2524E0114, RAYCHEM				
-213	TWC-78-2				
-214	TWC-124-2				
-215	BL-982 TIMES	1.164	.349	.255	TAI-143
-216	BL-1242 TIMES				
-217	GC875TM24H, GRUMMAN				
-218	EPD 221888, RAYCHEM				
-219	2526D1114, RAYCHEM				
-220	GC875RR1, GRUMMAN	1.289	.452	.344	TAI-144
-221	10B14, RAYCHEM				
-222	10B13, RAYCHEM				
-223	HMS2-1149, HUGHES				
-224	TWCP-124-3				
-225	PS66SPL, PRIME STOCK				

DASH NO	CABLES ACCOMMODATED	A DIM	B DIA	C HEX	ASSEMBLE PER
-301	GC875GC1, GRUMMAN	1.164	.349	.255	TAI-157
-302	GC875GB1, GRUMMAN				
-303	5022E5111, RAYCHEM				
-304	7528A5314, RAYCHEM				
-305	M17/177-00001 295-3804 MICRODOT	1.289	.452	.344	TAI-173
-306	TRC-50-2 M17/134-00002				
-307	TRC-75-1	1.289	.452	.344	TAI-198
-308	TRC-75-2				
-309	TRC-50-1	1.164	.349	.255	TAI-157

INCH	MM
.005	0.13
.030	0.76
.255	6.48
.344	8.74
.349	8.87
.452	11.48
1.00	25.40
1.25	31.75
1.164	29.57
1.289	32.74
1.75	44.45



-207 SHOWN

1 SHRINKABLE STRAIN RELIEF AND/OR SHRINKABLE SEALING SLEEVE SUPPLIED LOOSE AS FOLLOWS:

- CABLE GROUPS -207, -210 & -307:  
1 SHRINKABLE STRAIN RELIEF (1.00 LONG)  
1 SHRINKABLE SEALING SLEEVE (1.25 LONG)
- CABLE GROUPS -201 THROUGH -206, -208, -209, -217 THROUGH -223, -301, -302, -303 & -309  
1 SHRINKABLE SEALING SLEEVE (1.25 LONG)
- CABLE GROUPS -211 THROUGH -216, -305, -306 & -308  
1 SHRINKABLE STRAIN RELIEF (1.75 LONG)

6. EXAMPLE OF COMPLETE MODEL NO.

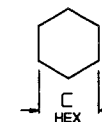
CJ150AC -201  
BASIC MODEL NO. | CABLE GROUP DASH NO

5. EXAMPLE OF COMPLETE PART NO:

3-0226 -201  
BASIC PART NO. | CABLE GROUP DASH NO

2. FINISH: TFS-1A (NICKEL)

1. ALL DIM ARE IN INCHES



RECOMMENDED  
HEX CRIMP  
SCALE: NONE

QTY	DESCRIPTION	PART NUMBER	ITEM
	TROMPETER ELECTRONICS, INC.	CJ150AC	
DWN	DBN 4/23/98	MATERIAL	CODE IDENT
CHK	WM 4-24-98	14949	DRAWING NO. 3-0226
ENGR			REV M
APPR	WM 5/18/98	SCALE 4/1	DATE 5-31-85 SHEET 1 OF 2