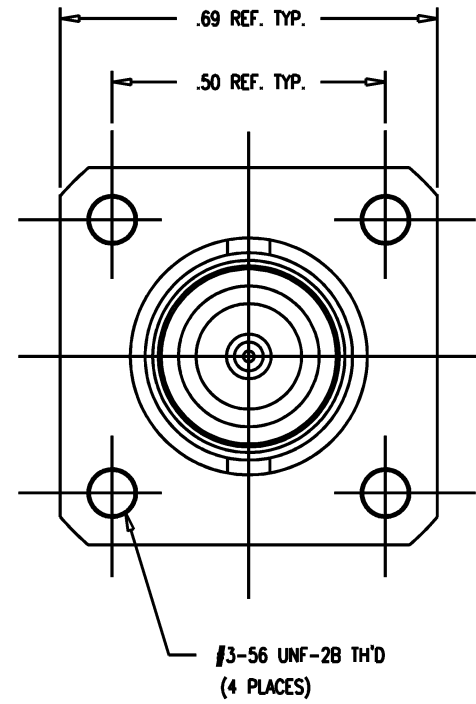
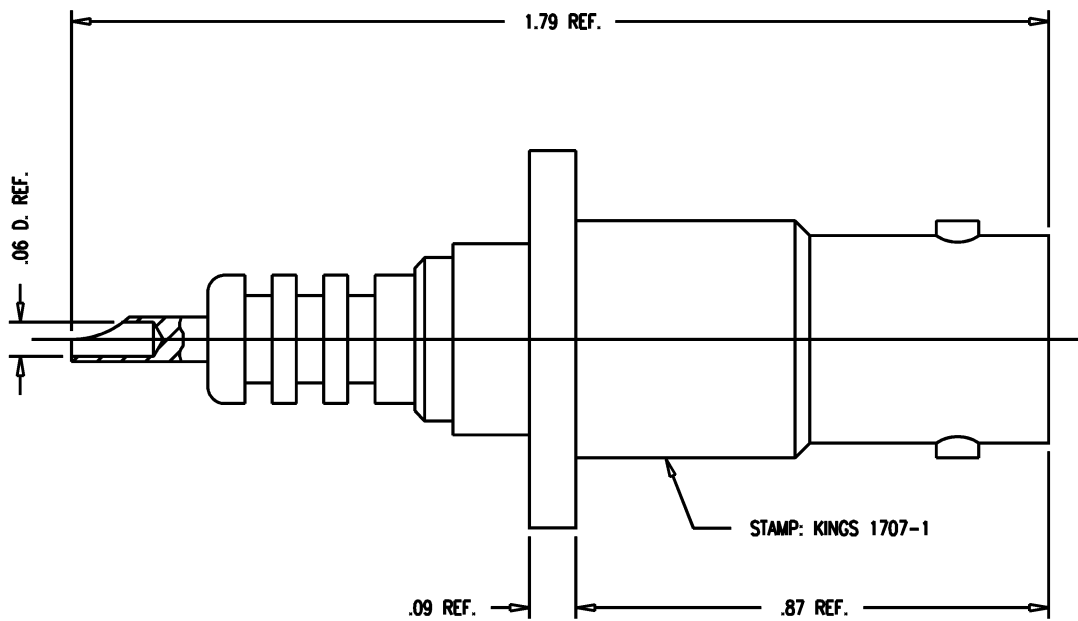


DASH NO.	M CODE	MADE FROM
----------	--------	-----------

GSD



1707-1

REVISIONS

ISSUE	CHANGES
3	CN 32289 E KH 06/13/90
4	CN 34186 C KH 11/06/92
5	CN 37951 E HVN 12/20/99

NOTES:

1. INTERFACE PER MIL-STD-348, FIG. 314-1.
2. MATERIALS:
 - INSULATOR: TEFLON, ASTM-D-1457
 - | | | |
|--|---|-----------------|
| <ul style="list-style-type: none"> BODY CENTER CONTACT | } | BRASS, ASTM-B16 |
|--|---|-----------------|
3. FINISHES:
 - CENTER CONTACT: GOLD PLATE PER MIL-G-45204
 - BODY: KINGS TARNISH RESISTANT FINISH (TR-5)
4. ELECTRICAL CHARACTERISTICS:
 - NOMINAL IMPEDANCE: NON-CONSTANT
 - VOLTAGE RATING: 3500 VRMS
 - 5000 VDC

SCALE 4:1

APPROX SURFACE AREA

USED ON

REF:

RECEPTACLE, PANEL, SHV, M

DRAWN	KH	DATE	06/13/90
DESIGN	MJB	DATE	06/19/90
APPR.		DATE	

KINGS
ELECTRONICS CO., INC.
TUCKAHOE, NEW YORK 10707

GSD

1707-1