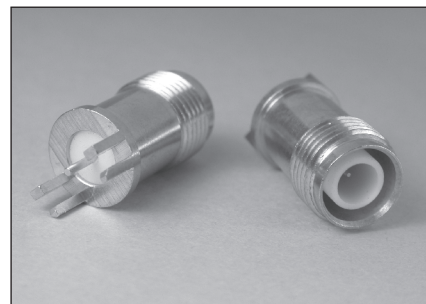
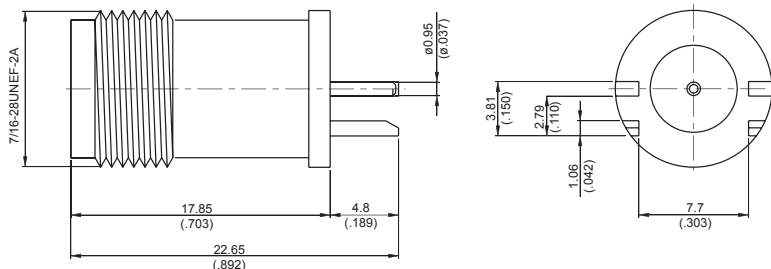
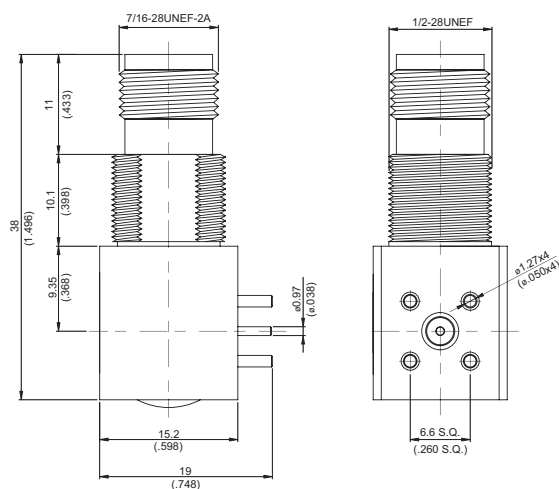


► **TNC JACK P.C.B MOUNT**



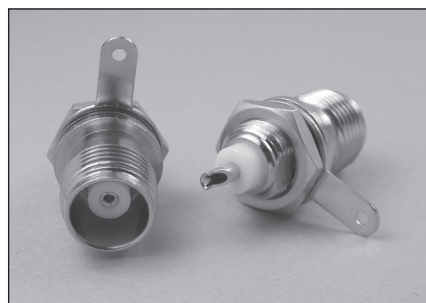
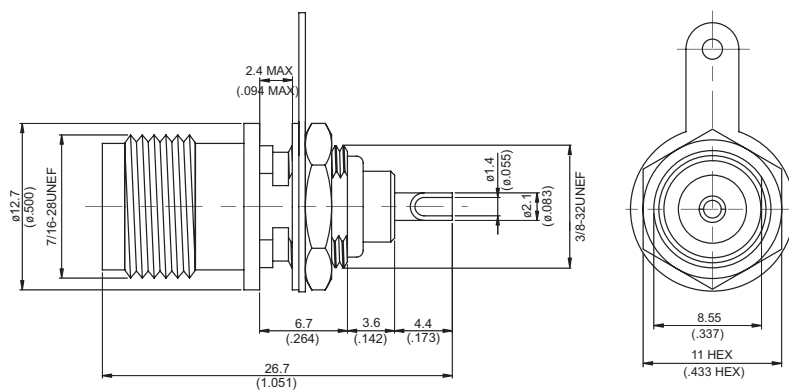
Part Number	Weight	Material	Remarks
TNC9401D-0000	6.21g	A2	Reverse polarity Jack

► **TNC REVERSE POLARITY JACK FOR BULKHEAD**



Part Number	M.H.	Weight	Material	Remarks
TNC94D0-9000	49&128	36.49g	A17	Reverse Polarity Jack

► **TNC JACK FOR BULKHEAD**



Part Number	M.H.	Weight	Material	Remarks
TNC8550-0000	4	7.96g	C2	No Gasket
TNC8575-0000	4	7.34g	C2	Impedance=75ohm; No Gasket