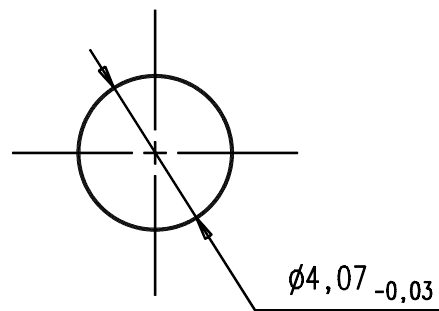


Montagebohrung / Panel cut out



M/scale 1:1



				general tolerance ISO 2768 mH			scale: 5:1	
							Assembly instruction: Stripping dimension:	
EC_096_05	b	Dia 0,96 add.	12.04.05	RSc	date	name	Chassisstecker Bulkhead plug	
Design	a	Sim. 0,96->0,9	26.11.01	RSc	generate	Schwaer		
					checked			
					Norm			
					37391			
							3378.12.1010.10'	
								Rev.
nr.	rev.	alteration	date	name			b	