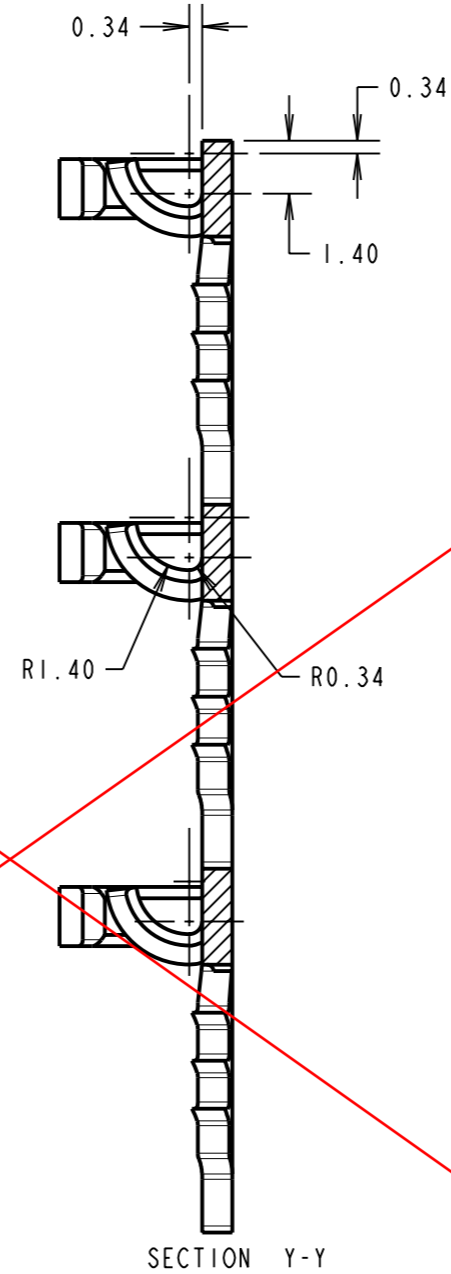
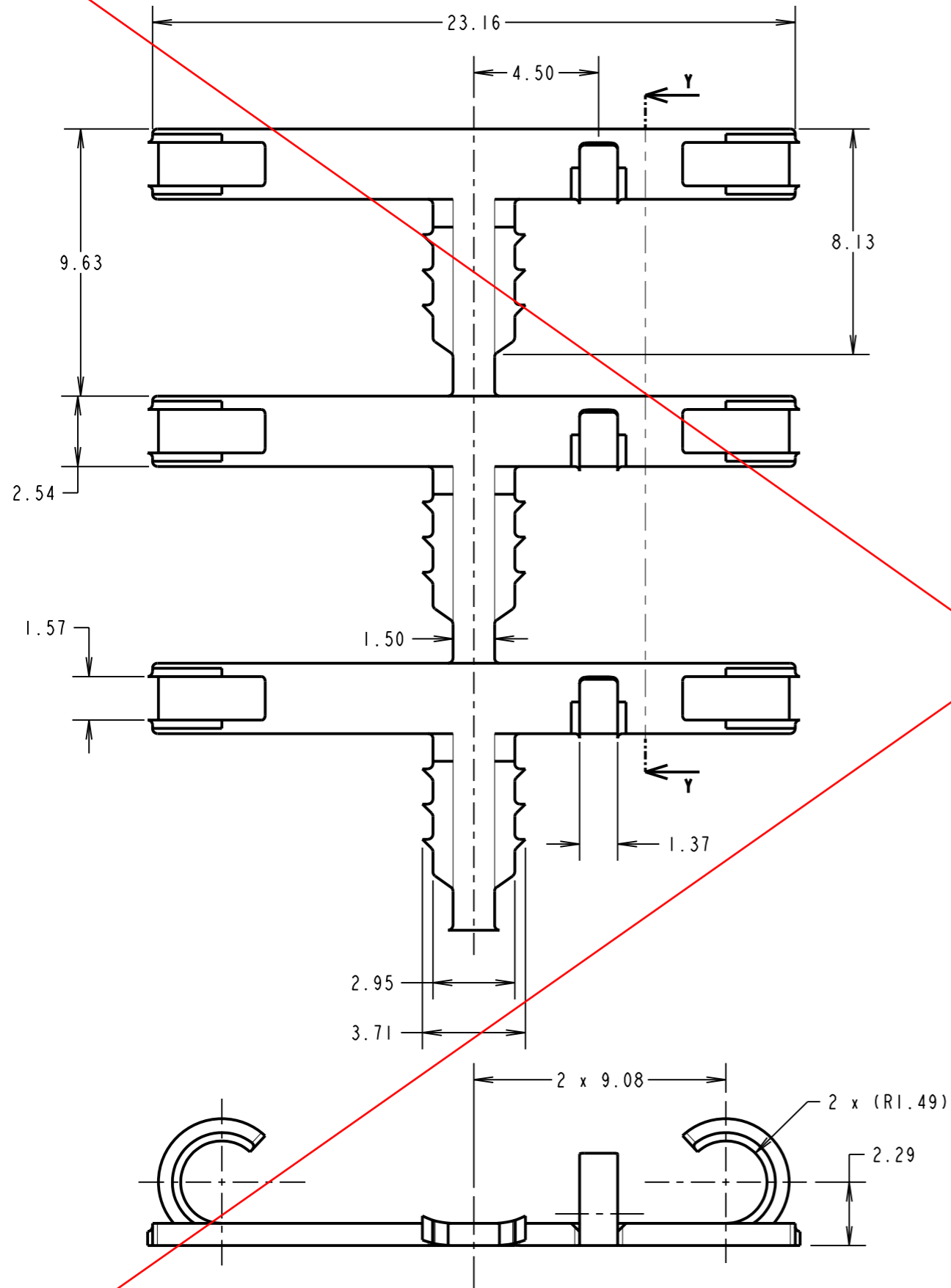
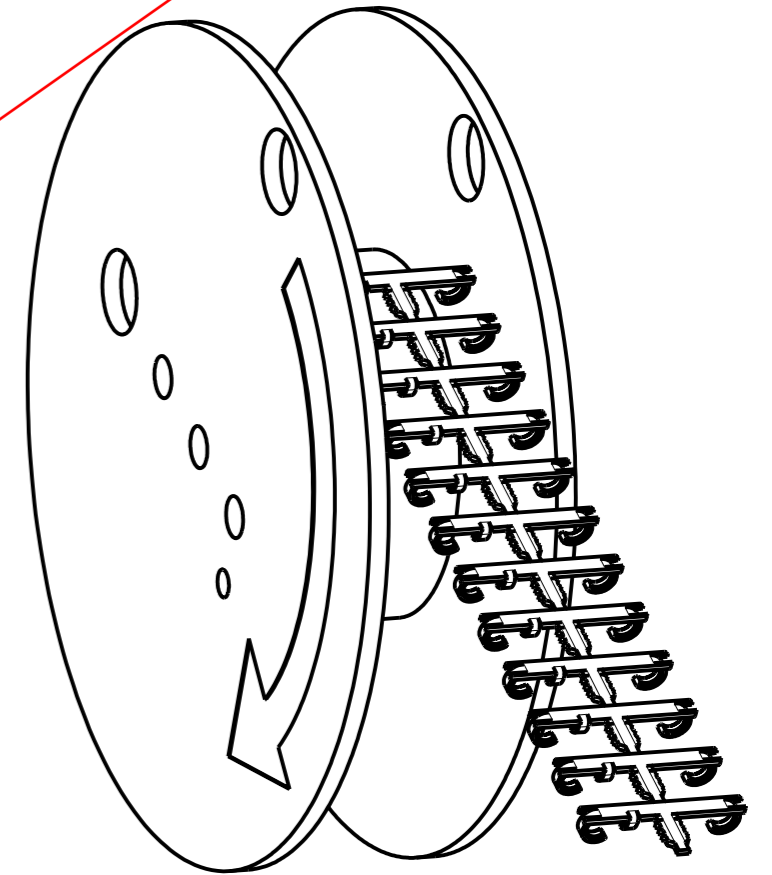


# Customer Information Sheet

DRAWING No.: S443-XX SHEET 3 OF 3 IF IN DOUBT - ASK (C) NOT TO SCALE THIRD ANGLE PROJECTION ALL DIMENSIONS IN mm



- NOTES:  
 1. QUANTITY OF COMPONENTS PER REEL = 4,000.  
 2. WEIGHT OF COMPONENTS PER REEL = 3.4kg APPROX.  
 3. ALL TOLERANCES TO BE  $\pm 0.13\text{mm}$  UNLESS OTHERWISE STATED.



**OBSOLETE**

ORDER CODE:  
**S443-XX**  
 FINISH  
 06 - 4 $\mu$  90/10 TIN/LEAD  
 46 - 4 $\mu$  100% TIN

SB	3	23.03.11	10770
NAME	ISS.	DATE	C/NOTE
APPROVED:		S. BENNETT	
CHECKED:		R. ADDE	
DRAWN:		W. J. BOURNE	
CUSTOMER REF.:			
ASSEMBLY DRG:			

<b>HARWIN</b>			THIS DRAWING AND ANY INFORMATION OR DESCRIPTIVE MATTER SET OUT HEREON ARE CONFIDENTIAL AND COPYRIGHT PROPERTY OF THE HARWIN GROUP AND MUST NOT BE DISCLOSED, LOANED, COPIED OR USED FOR MANUFACTURING, TENDERING OR FOR ANY OTHER PURPOSE WITHOUT THEIR WRITTEN PERMISSION.	TOLERANCES <del>X. = <math>\pm 1\text{mm}</math></del> <del>X.X = <math>\pm 0.25\text{mm}</math></del> <del>X.XX = <math>\pm 0.10\text{mm}</math></del> <del>X.XXX = <math>\pm 0.01\text{mm}</math></del> ANGLES = $\pm 5^\circ$ UNLESS STATED	MATERIAL: BRASS CW508L HARD TO BS EN 1652	TITLE: TANG BAR TERMINAL	
HARWIN USA TEL: 603 893 5376 FAX: 603 893 5396 mis@harwin.com	HARWIN Europe (UK) TEL: 023 9231 4545 FAX: 023 9231 4590 mis@harwin.co.uk	HARWIN Asia TEL: +65 6 779 4909 FAX: +65 6 779 3868 mis@harwin.com.sg				FINISH: SEE ORDER CODE	DRAWING NUMBER: <b>S443-XX</b>