

Air Dielectric Trimmer Capacitors



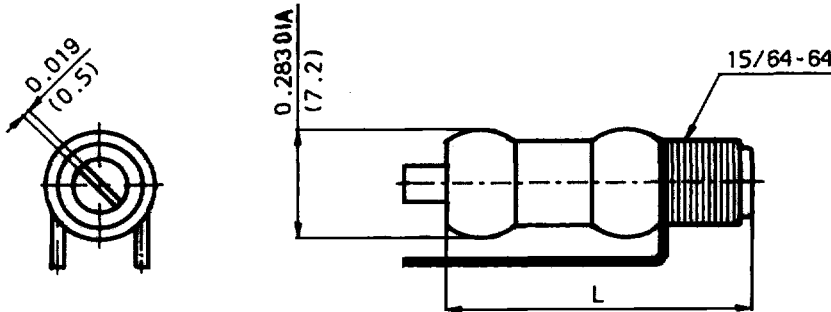
Series Water tight MAV SR

NEW

MAV SR-SERIES air dielectric trimmer capacitors were developed to meet the demand for sealed capacitors withstanding to organic solvents and aqueous solutions of saponifiers used in the cleaning of circuit boards in system manufacturing process. The well proven high frequency characteristics of the MAV series trimmers are fully maintained.

MAV SR capacitors are available in series MAV 03, 04, 05 including all their mounting configurations, general electrical data and physical specifications except adjustment*.

MAV SR Capacitors do not need to attach a Seal Cap.



Seal Test (Leak): 40 pounds/inch² (2.8 bar)
as per MIL-C-1440 SQ

*Adjustment: use screwdriver tip. 0.197 inch (0.5mm) max wide, 0.110 inch (2.8mm) max long

Specifications and Dimensions

MODEL	L Inch (mm)
MAV 03 XXXSR	0.480 (12.2)
MAV 04 XXXSR	0.750 (19.0)
MAV 05 XXXSR	0.940 (23.9)

MAV SR Ordering Information :
Add "SR" to MAV Part Number, i.e, MAV03F10SR

Note: All dimensions are in inches (mm)

For Ordering Information See page 45 and pages
Capacitors MAV03, 04,05 Series