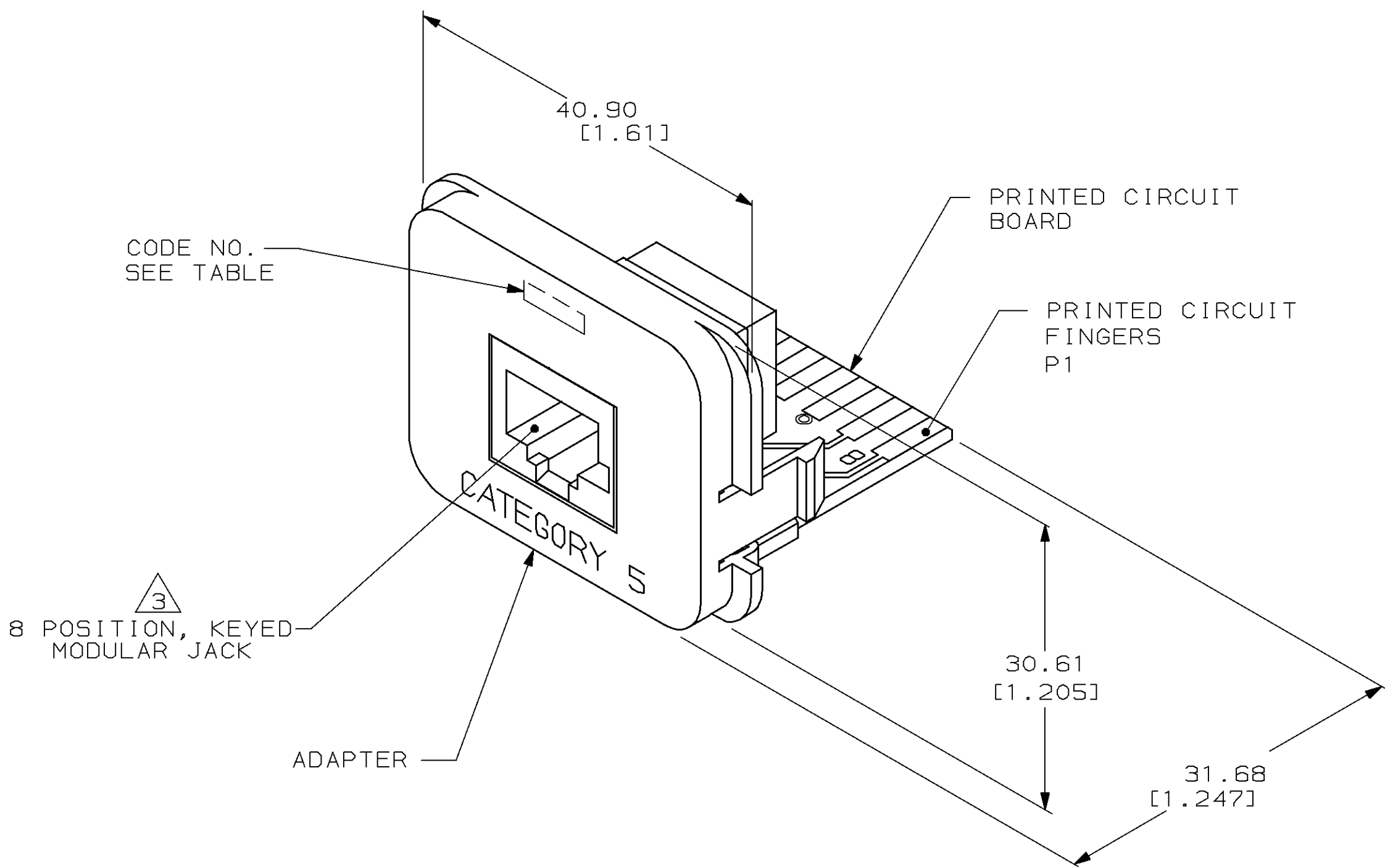


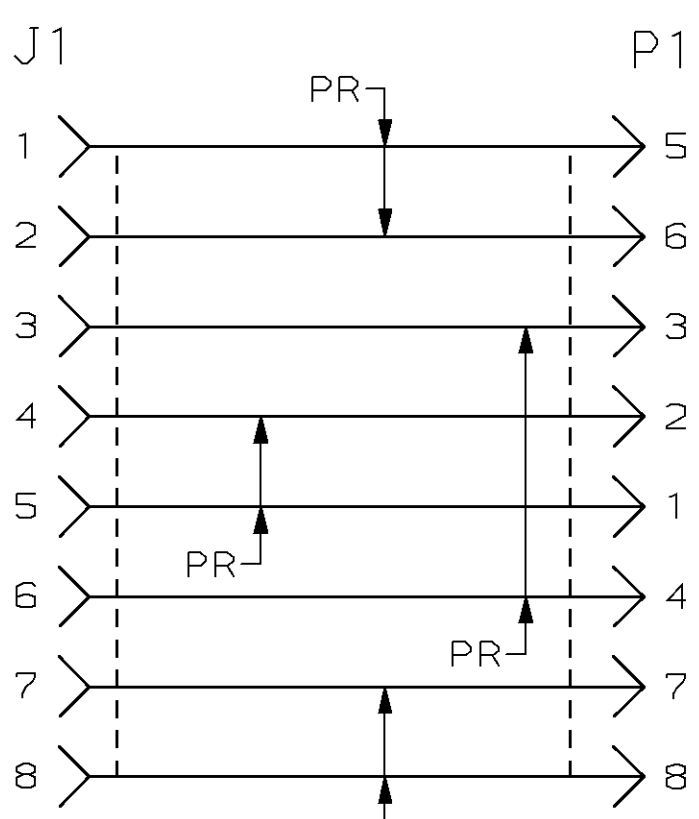
THIS DRAWING IS UNPUBLISHED. RELEASED FOR PUBLICATION
 © COPYRIGHT 19 BY AMP INCORPORATED. ALL INTERNATIONAL RIGHTS RESERVED.

LOC	DIST	P	F	ZONE	LTR	REVISIONS	DATE	APPD
AA	28				A	ADD: -6; NPR C97-101 & EC 0502-0347-97	16JUN97	GG
								GB



- 1. DIMENSIONS ARE MAXIMUM.
- 2. MATERIAL: PRINTED CIRCUIT BOARD- LAMINATED PLASTIC SHEET, 1.57 [.062] THICK. ADAPTER-ABS MOLDING COMPOUND, SEE TABLE. PRINTED CIRCUIT FINGERS-0.51µm [.000020] MINIMUM GOLD PLATE OVER 1.27µm [.000050] MINIMUM NICKEL PLATE.
- 3. THIS INTERCONNECT MEETS THE REQUIREMENTS OF IEC 603-7.
- 4. THIS INSERT IS DESIGNED TO MATE WITH AMP INC. EDGE CONNECTOR KIT AND WALLBOX KITS.

3
 8 POSITION, KEYED MODULAR JACK



ELECTRICAL SCHEMATIC

BLACK	908-6	IVORY	558908-6
BLACK	908-5	WHITE	558908-5
BLACK	908-4	NEMA GRAY	558908-4
WHITE	908-3	BLACK	558908-3
BLACK	908-1	LIGHT ALMOND	558908-1

MARKING COLOR	CODE NO.	ADAPTER COLOR	PART NO

DO NOT SCALE PRINT. UNLESS SPECIFIED DIMENSIONS IN mm [INCHES] TOLERANCES ON :	DR 1-18-95 M.D.BYERLY	AMP AMP Incorporated Harrisburg, PA 17105-3608
2 PLC DEC ±	CHK 1-20-95 B.FOX	
3 PLC DEC ±	APPD 1-20-95 D.BECK	NAME
ANGLES ±	APPD 1-20-95 J.R.SCHLUNZ	INSERT ASSEMBLY, RJ45, T568A, CATEGORY 5 AMP COMMUNICATION OUTLET
MATERIAL	PRODUCT SPEC 108-1163	SIZE
FINISH	APPLICATION SPEC 114-2048	CAGE CODE
	WEIGHT -	DRAWING NO
		00779
		SCALE
		2:1
		SHEET
		1 OF 1

THIS DRAWING IS A CONTROLLED DOCUMENT FOR AMP INCORPORATED. IT IS SUBJECT TO CHANGE AND THE CONTROLLING ENGINEERING ORGANIZATION SHOULD BE CONTACTED FOR THE LATEST REVISION.