

HDT Series

Micro Mini Surface Mount Detect Switches



Features/Benefits

- Low profile package
- Design allows top or side actuation
- Low actuation force, 35 grams max.
- Pick and place compatible, available in tape & reel packaging
- RoHS compliant and compatible
- Halogen free

Typical Applications

- Consumer electronics
- Computers
- Medical devices
- ATCA and MicroTCA devices

Specifications

CONTACT RATING: 1 mA 5 VDC; 10 mA 5 VDC
 MECHANICAL AND ELECTRICAL LIFE: 100,000 cycles min.
 CONTACT RESISTANCE: 500 m Ω max. initial.
 INSULATION RESISTANCE: 100 M Ω min. between adjacent contacts.
 OPERATING TEMPERATURE: -40°C to + 85°C
 STORAGE TEMPERATURE: -40°C to + 85°C
 PACKAGING: Tape & reel

Materials

BASE: PA 46 (UL94V-0)
 COVER: PA 46 (UL94V-0)
 ACTUATOR: PA 46 (UL94V-0)
 MOVABLE BLADE: Stainless Steel, Ag over Ni plating.
 TERMINALS: Phosphor Bronze, Ag plating.
 SOLDERABILITY: Lead free compatible - No clean.

NOTE: Specifications and materials listed above are for switches with standard options. For information on specific and custom switches, consult Customer Service Center.

How To Order

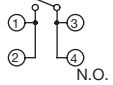
Part number list is shown below. For individual part details, please refer to the following pages.

Part Number (Part Description)	Product Details
HDT0001	Micro mini surface mount detect switches normaly open with locating posts
HDT0001NP	Micro mini surface mount detect switches normaly open without locating posts
HDT0004	Micro mini surface mount detect switches normaly open without locating posts
HDT0104	Micro mini surface mount detect switches normaly open without locating posts
HDT0204	Micro mini surface mount detect switches normaly open with locating posts
HDT0301	Micro mini surface mount detect switches normaly open without locating posts

HDT Series

Micro Mini Surface Mount Detect Switches

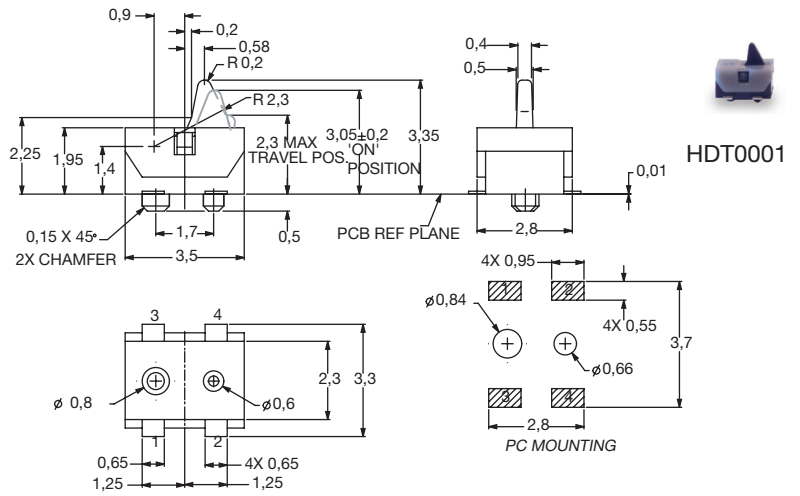
Complete part numbers for HDT Series are shown below.

PART NUMBER	PACKAGING	SCHEMATIC
HDT0001	TAPE & REEL 2,450 per reel	

NOTE: Available with no locating posts by adding "NP" (HDT0001NP) to Part Number.

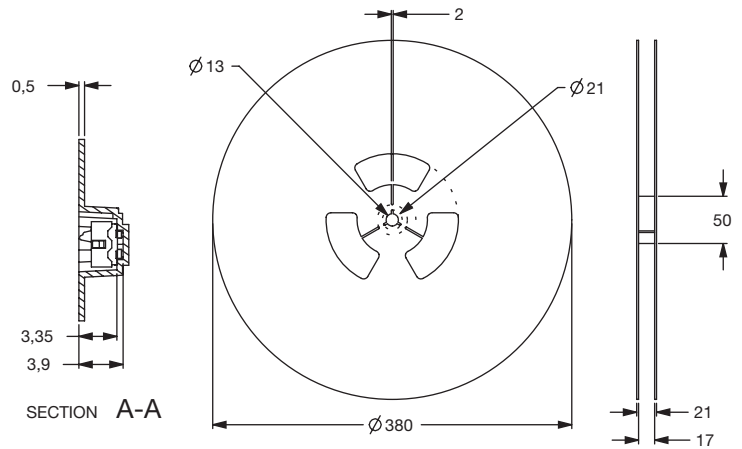
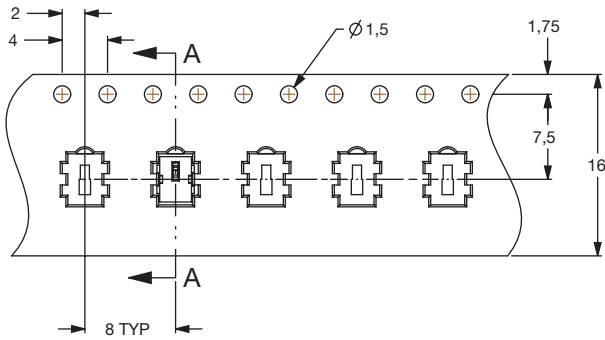
TRAVEL:

Pre-travel: 0.3 mm
 Overtravel: 0.75 mm
 Total: 1.05 mm

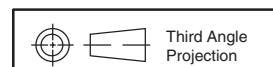


TAPE & REEL

HDT0001



Detect



Dimensions are shown: mm
 Specifications and dimensions subject to change



HDT Series Micro Mini Surface Mount Detect Switches

HDT0004

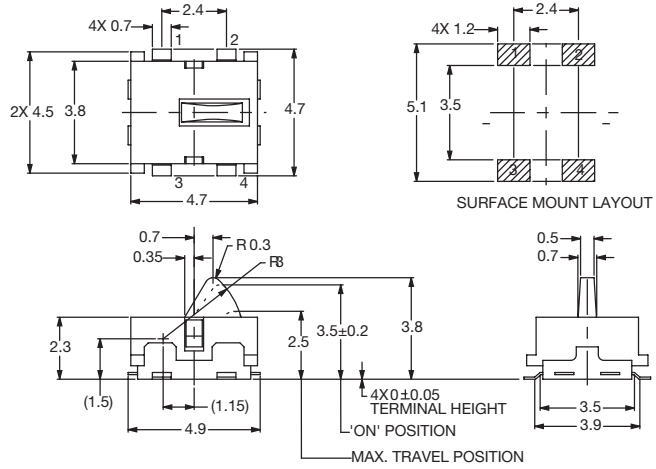


HDT0004

PART NUMBER	PACKAGING	SCHEMATIC
HDT0004	TAPE & REEL 2,800 per reel	

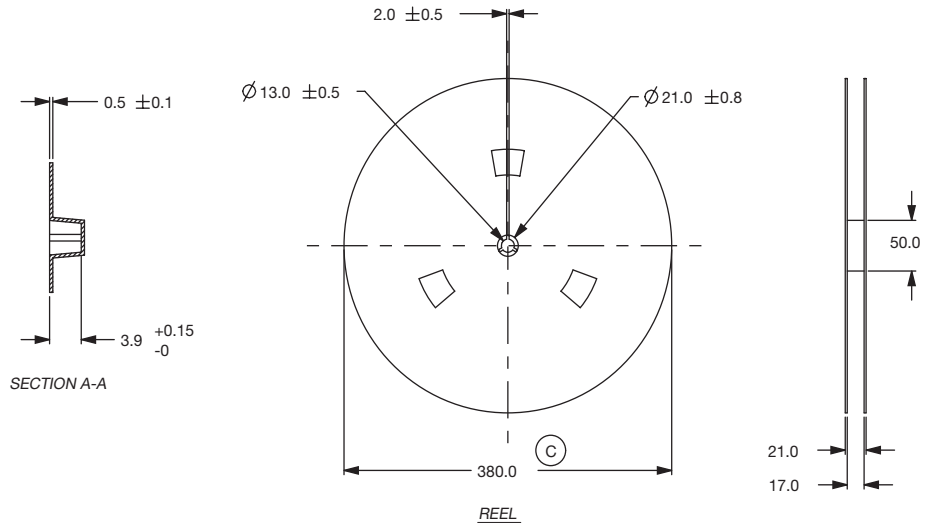
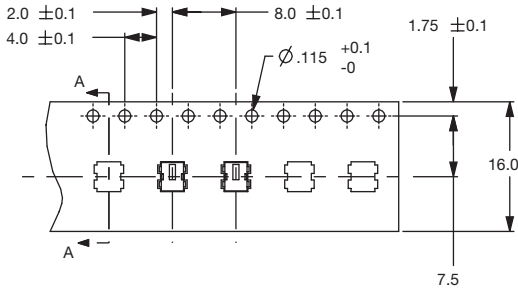
TRAVEL:

Pre-travel: 0.3 mm
Overtravel: 1.0 mm
Total: 1.3 mm



TAPE & REEL

HDT0004



HDT0104



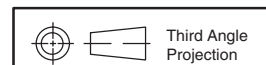
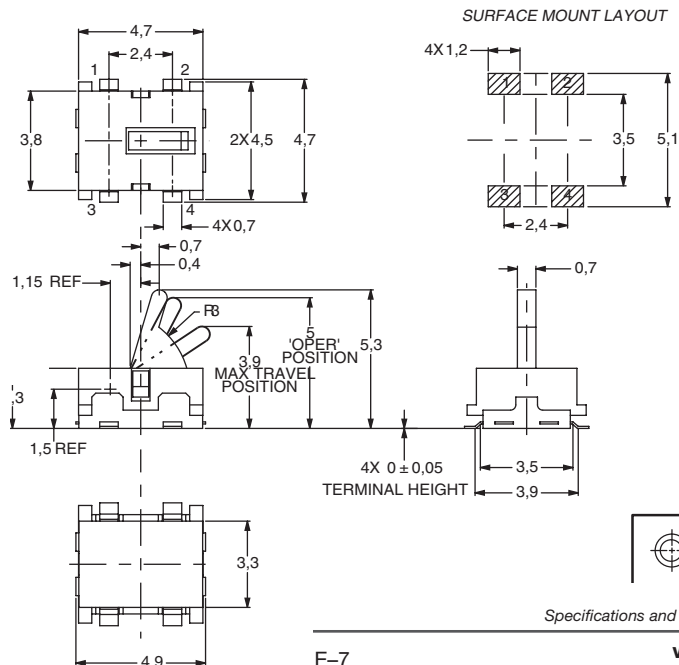
HDT0104

PART NUMBER	PACKAGING	SCHEMATIC
HDT0104	TAPE & REEL 2,500 per reel	

NOTE: This product comes without locating post

TRAVEL:

Pre-travel: 0.3 mm
Overtravel: 1.1 mm
Total: 1.4 mm



Dimensions are shown: mm
Specifications and dimensions subject to change



24 Oct 22

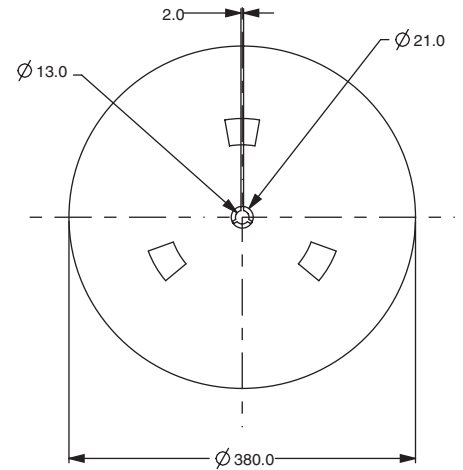
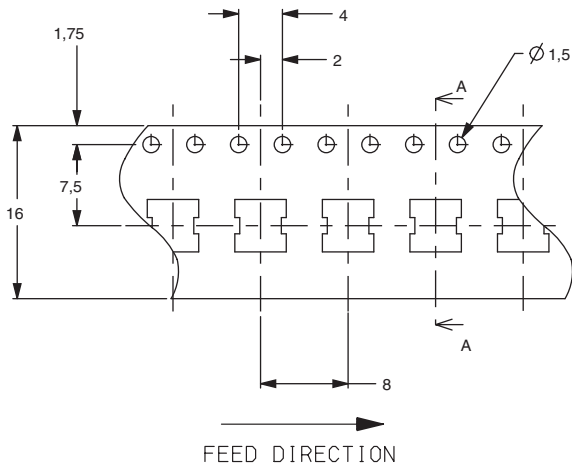


Detect

HDT Series Micro Mini Surface Mount Detect Switches

TAPE & REEL

HDT0104



HDT0204



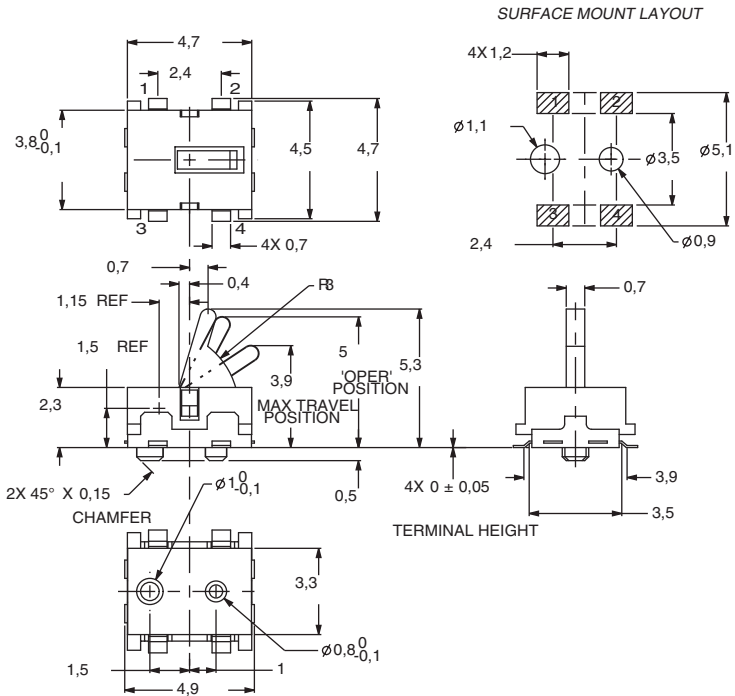
HDT0204

PART NUMBER	PACKAGING	SCHEMATIC
HDT0204	TAPE & REEL 1,400 per reel	

NOTE: This product comes with locating post

TRAVEL:

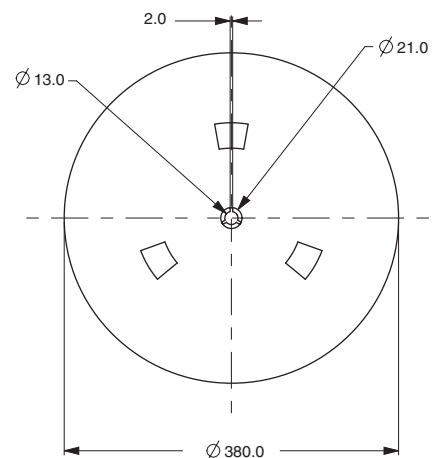
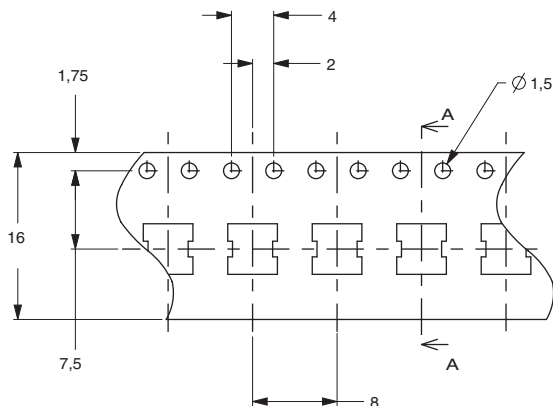
- Pre-travel: 0.3 mm
- Overtravel: 1.1 mm
- Total: 1.4 mm



SURFACE MOUNT LAYOUT



Detect



HDT Series Micro Mini Surface Mount Detect Switches

HDT0301



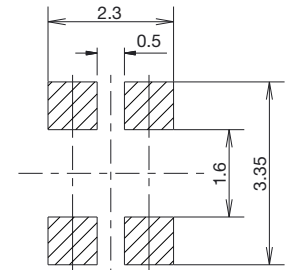
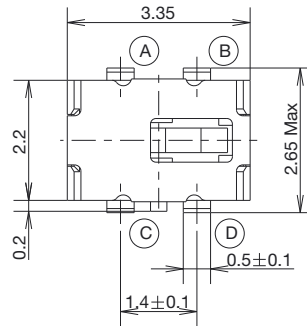
HDT0301

PART NUMBER	PACKAGING	SCHEMATIC
HDT0301	TAPE & REEL 3,000 per reel	

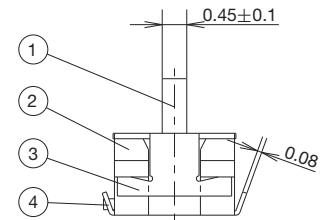
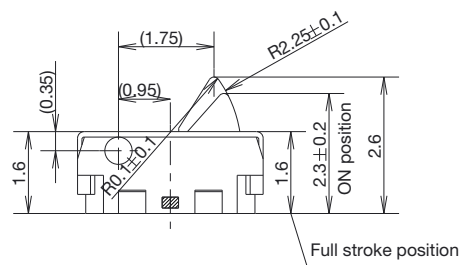
Note: Terminals B/D are for mechanical attachment to PCB. They are non-switching and may or may not be shorted internally.

TRAVEL:

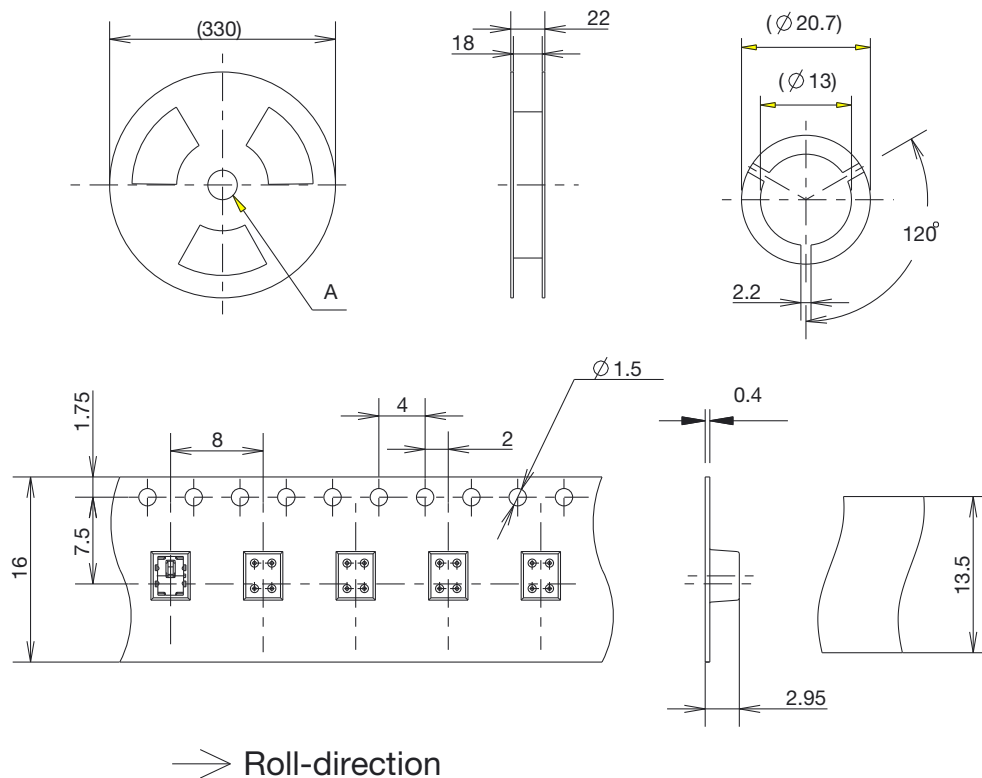
- Pre-travel: 0.3 mm
- Overtravel: 0.7 mm
- Total: 1.0 mm



PCB LAND DIMENSION ± 0.05



TAPE & REEL



→ Roll-direction

Dimensions are shown: mm
Specifications and dimensions subject to change

www.ckswitches.com