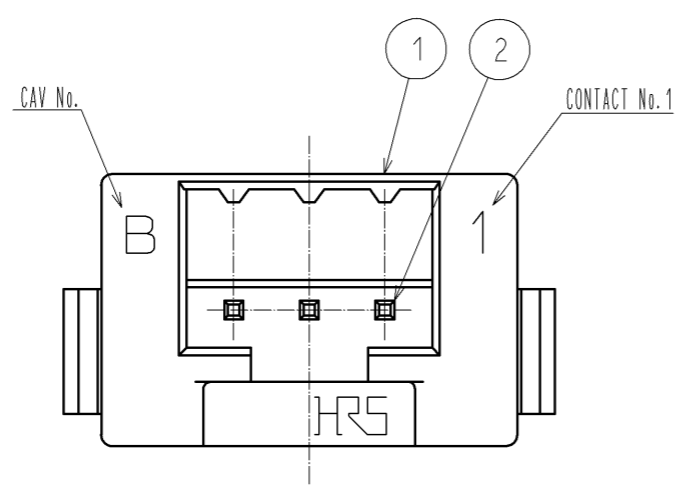
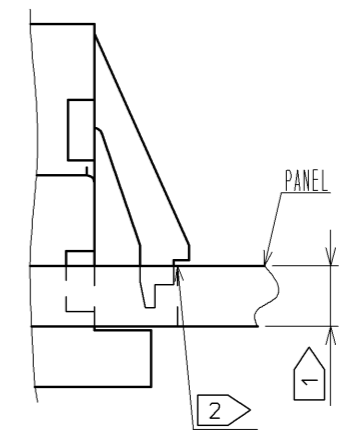
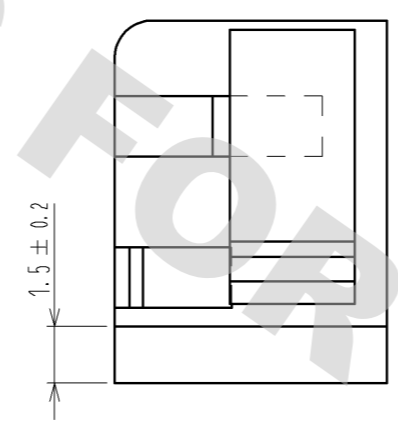
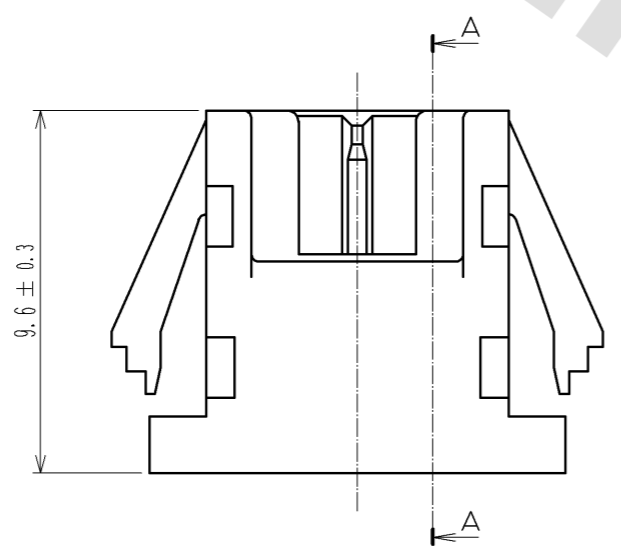
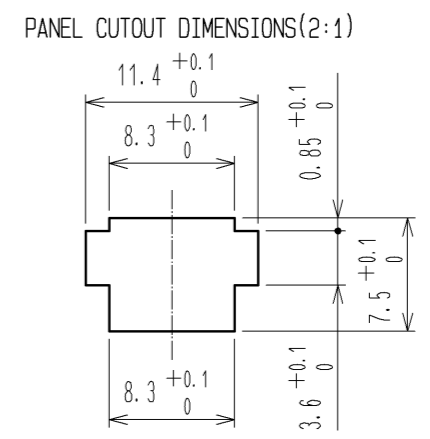
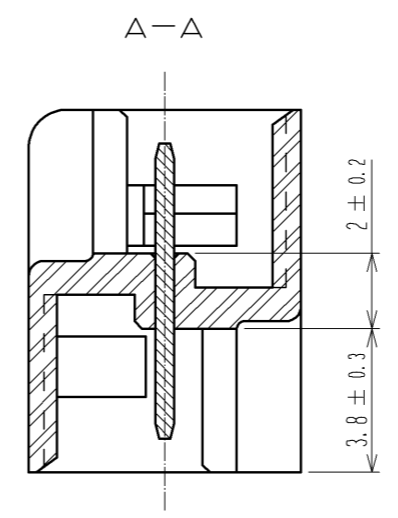
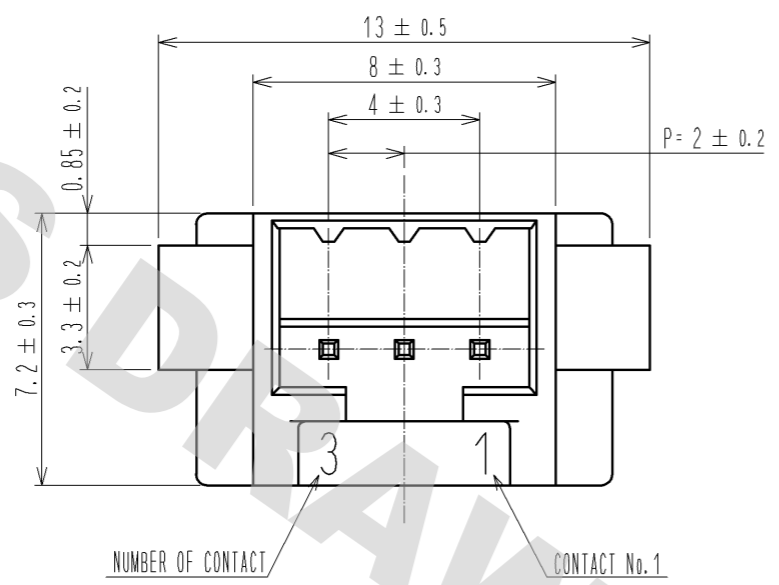


DRAWING FOR REFERENCE: This is subject to change without notice
08/11/2012



NOTE 1 > APPLICABLE PANEL THICKNESS : 1.6~0.8mm
(NOTE THAT SOME LOOSENESS IS UNAVOIDABLE WHEN THE PLUGS ARE MOUNTED ON A PANEL OF OTHER THAN 1.6 OR 2.2mm THICKNESS.)
2 > USE THE SHARP EDGE FOR ENGAGEMENT WITH THE PANEL.

| | | | | | | | |
|--------------------------------------|-----------|------------------------|----------|----------------------------|--|---------|------|
| 1 | POLYAMIDE | UL94V-0. BLACK | 2 | BRASS | SURFACE:TIN PLATING 1µm min UNDER PLATING:NICKEL PLATED 0.5µm min | | |
| NO. | MATERIAL | FINISH . REMARKS | NO. | MATERIAL | FINISH . REMARKS | | |
| UNITS mm | | SCALE 5 : 1 | | DESCRIPTION OF REVISIONS | DESIGNED | CHECKED | DATE |
| HRS HIROSE ELECTRIC CO., LTD. | | APPROVED : TS. SAKATA | 08.11.25 | DRAWING NO. EDC3-160481-01 | | | |
| | | CHECKED : TS. KUMAZAWA | 08.11.20 | PART NO. DF3-3EP-2A | | | |
| | | DESIGNED : KT. ISHII | 08.11.19 | CODE NO. CL543-0268-2-00 | | | |
| | | DRAWN : KT. ISHII | 08.11.19 | | | 1/1 | |