



ALPS Manufacturer of Electronic Components/Parts Catalog

8-directional Stick Switch (with Center-push Function) RKJXM Series

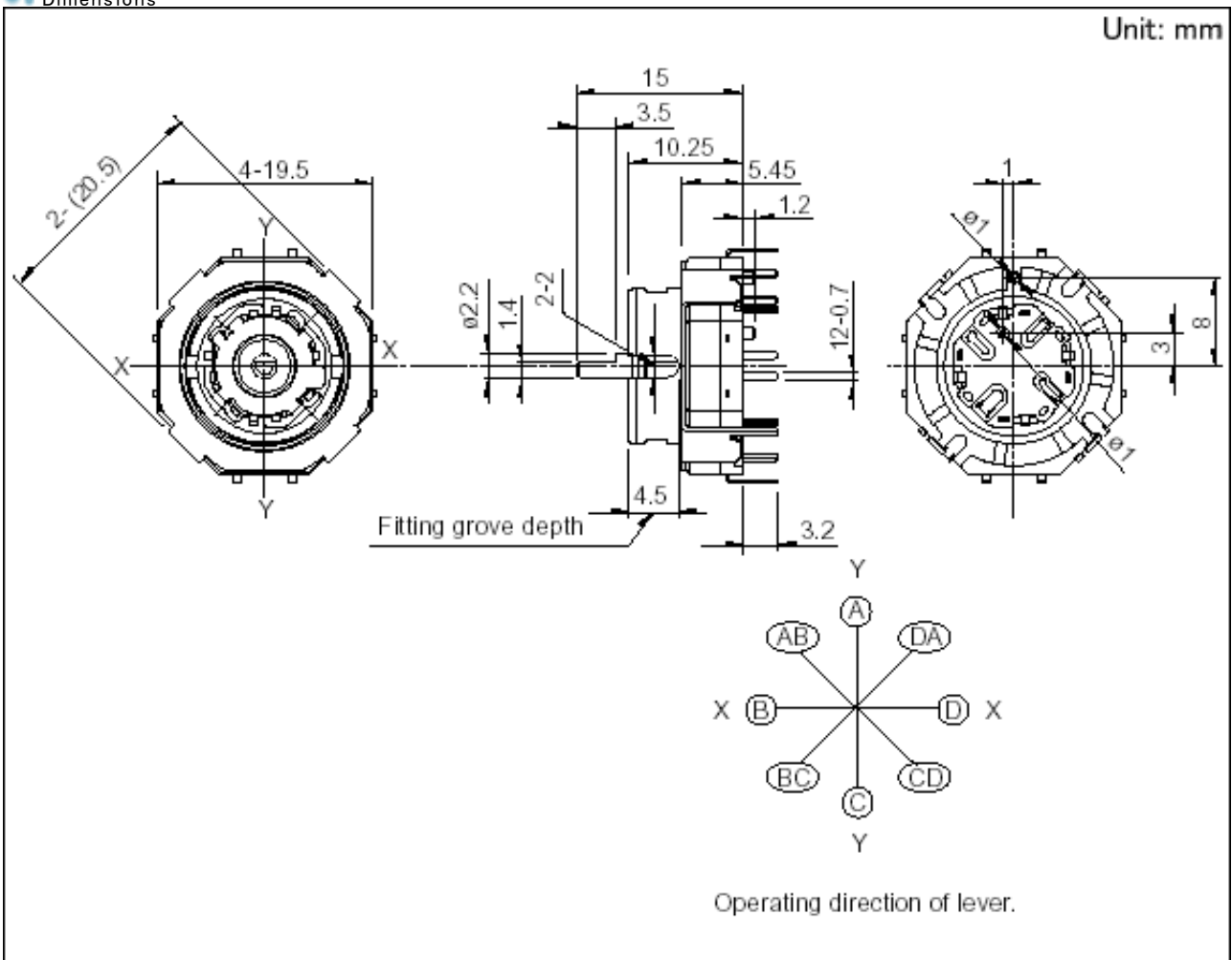
● Detail

Part number		RKJXM2E13001	
Number of operating shafts		Dual-shaft	
Shaft material		The inner shaft: Metal The outer shaft: Resin	
Stick switches	Contact resistance	8-direction & Center push	1Ω max.
	Operating angle (8-direction)		A, B, C, D direction: 10° max. AB, BC, CD, DA direction: 12° max.
	Travel (Center push)		0.3±0.2mm
Encoder	Number of detent		15
	Number of pulse		15
Operating temperature range		-40°C to +85°C	
Ratings (max.) (Resistive load)		10mA 5V DC	
Electrical performance	Directional resolution	8-direction	
	Encoder resolution	15pulses / 360°	
	Insulation resistance	100MΩ min. 250V DC	
	Voltage proof	300V AC for 1 minute or 360V AC for 2s	
Mechanical performance	Directional operating force	Direction A, B, C, D 30±20mN·m Direction AB, BC, CD, DA 25±20mN·m	
	Push operating force	3±1.5N	
	Encoders detent torque	12±8mN·m	
	Actuator strength	Push/pull directions	100N (Push), 50N (Pull)
Operating direction		0.3N·m	
Durability	Operating life	Directions	Total with 8-direction 100,000 cycles
		Center push	100,000 cycles
		Encoder	15,000 cycles
Environmental performance	Cold	-40±2°C for 500h	
	Dry heat	85±2°C for 500h	
	Damp heat	60±2°C, 90 to 95%RH for 500h	
Minimum order unit (pcs.)	Japan	800	
	Export	1,600	
3D CAD (STEP)			
Certificate of Compliance to RoHS regulations			

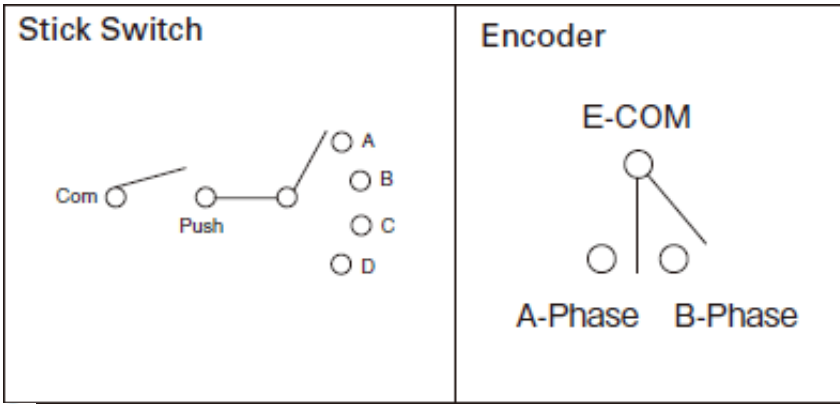
● Photo



•• Dimensions



•• Mounting Hole Dimensions

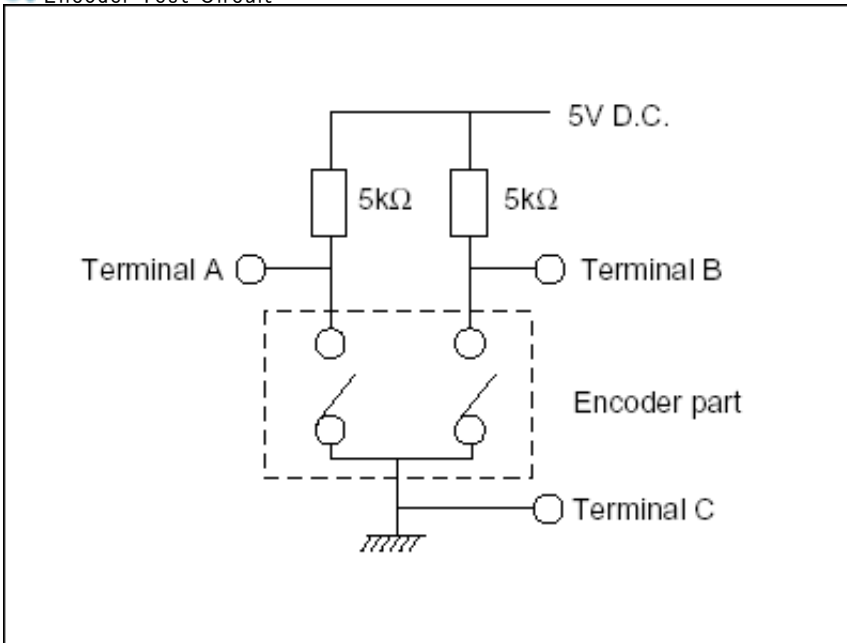


• Output Relation Chart between Lever Position and ON Position.

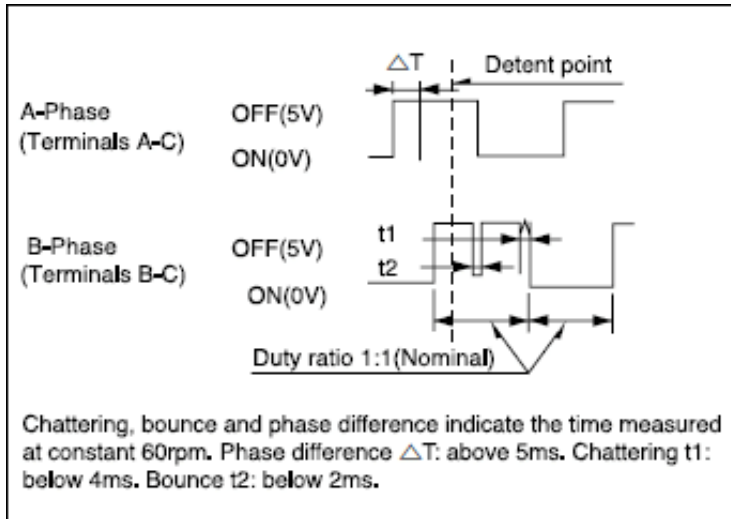
Terminal	Operation procedure								
	A	AB	B	BC	C	CD	D	DA	Center Push
Com-A	ON	ON						ON	
Com-B		ON	ON	ON					
Com-C				ON	ON	ON			
Com-D						ON	ON	ON	
Com-Push	ON	ON	ON	ON	ON	ON	ON	ON	ON

Operating direction of lever.

• Encoder Test Circuit



• Output Signal



● Packing Specifications

Tray

Number of packages (pcs.)	1 case / Japan	800
	1 case / export packing	1,600
Export package measurements (mm)		380 × 545 × 205

● Soldering Condition

Reference for Dip Soldering

Preheating	Soldering surface temperature	100°C max.
	Heating time	2 min. max.
Dip soldering	Soldering temperature	260 ± 5°C
	Soldering time	5 ± 1s
No. of solders		2 time max.

Reference for Hand Soldering

Tip temperature	350 ± 5°C
Soldering time	3s max.
No. of solders	1 time

>> NOTE

Notes are common to this series/models.

1. This site catalog shows only outline specifications. When using the products, please obtain formal specifications for supply.
2. Please place purchase orders per minimum order unit (integer).
3. This products can be used in vehicles.
Although these products are designed to perform over a wide operating temperature range, please ensure that you receive and read the formal delivery specifications before use.



Inquiries about Products

For more information please contact: Products Information Center.

1-7, Yukigaya-otsukamachi, Ota-ku, Tokyo, 145-8501, Japan

Phone: +81 (3) 5499-8154

COPYRIGHT(C) 1995-2013 ALPS ELECTRIC CO., LTD.