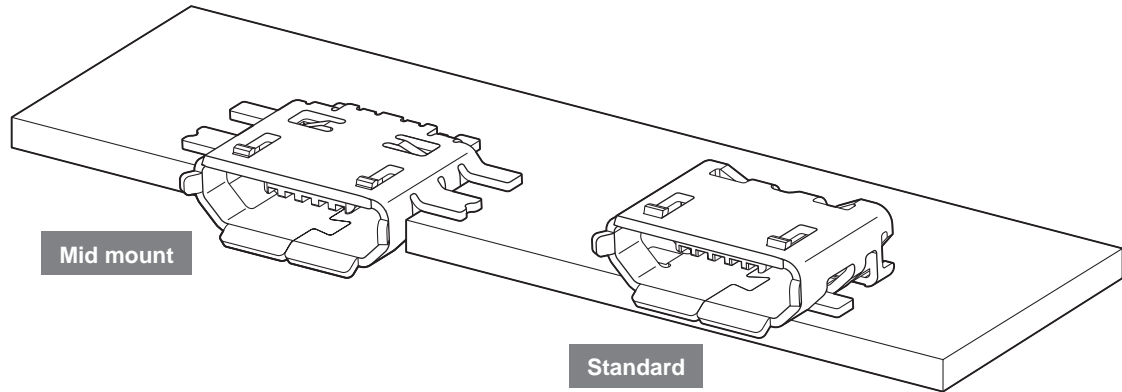




UB CONNECTOR Micro USB

USB (Universal Serial bus) Conforming Connector



This connector is an interface connector for cellular phone and other mobile equipments conforming to Micro USB standard.

- ***It is a space saving design of about 50% reduction in mounting area compared with Mini USB. (Standard B type)***
- ***10,000 cycles of insertion and extraction is provided as durability.***
- ***SMT configuration***

Specifications

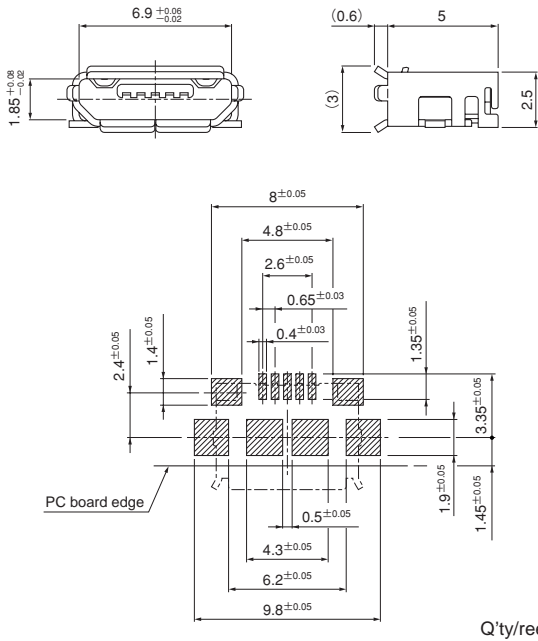
- Current rating :
 - When using only signal line
 - Signal line (when using the contacts from No.2 to 4.)
: 1.0 A AC, DC/Line
 - When using power supply line
 - Power supply line (when using the contacts No.1 and 5.)
: 1.8 A AC, DC/Line
 - Signal line (when using the contacts from No.2 to 4.)
: 0.5 A AC, DC/Line
 - Voltage rating: 30 V AC, DC
 - Temperature range: -25°C to +85°C
(including temperature rise in applying electrical current)
 - Contact resistance: Initial value/ 30 mΩ max.
After environmental tests/ 50 mΩ max.
(variation from initial value)
 - Insulation resistance: 1,000 MΩ min.
 - Withstanding voltage: 100 VAC/minute
- * Refer to "General Instruction and Notice when using Terminals and Connectors" at the end of this catalog.
* Contact JST for details.
* Compliant with RoHS.

UB CONNECTOR Micro USB

Receptacle

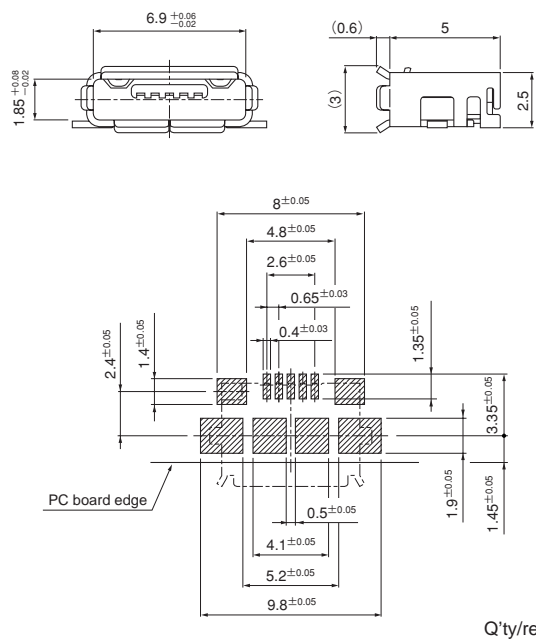
Standard B type

TID No.: 60001357



Standard AB type

TID No.: 60001359



Model No.	Material and Finish
UB-MC5BR3-SD204-4S-1 NMP	Contact: Copper alloy, nickel-undercoated, gold-plated
	Housing: Heat resisting resin, UL94V-0, black
	Shell: Stainless, nickel-undercoated, tin-plated

Model No.	Material and Finish
UB-MC5ABR3-SD204-4S-1 NMP	Contact: Copper alloy, nickel-undercoated, gold-plated
	Housing: Heat resisting resin, UL94V-0, gray
	Shell: Stainless, nickel-undercoated, tin-plated

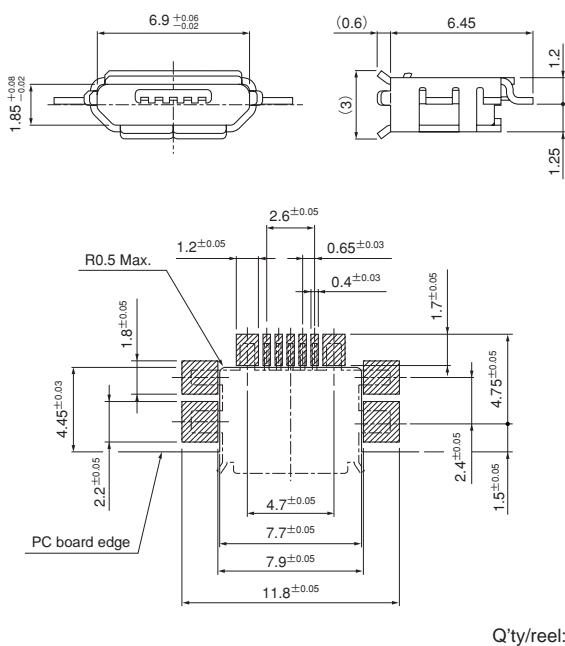
RoHS compliance

RoHS compliance

Mid mount B type

TID No.: 62001355

Mounting height: 1.2 mm



Model No.	Material and Finish
UB-MC5BR3-M404-4S NMP	Contact: Copper alloy, nickel-undercoated, gold-plated
	Housing: Heat resisting resin, UL94V-0, black
	Shell: Stainless, nickel-undercoated, tin-plated

RoHS compliance