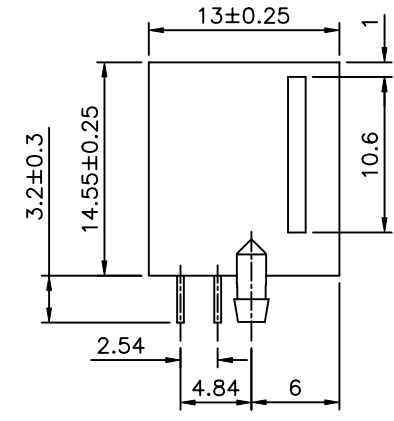
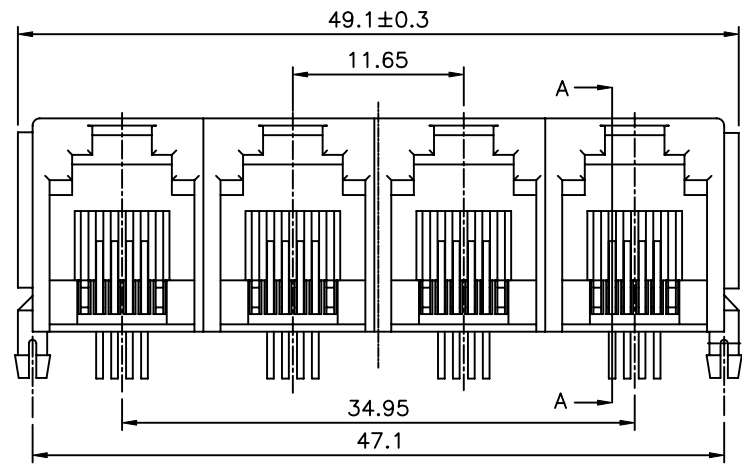
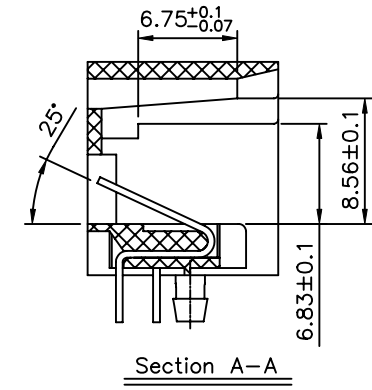
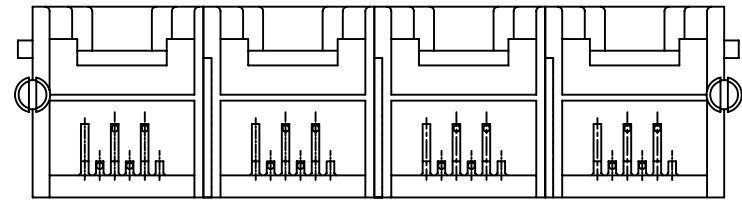
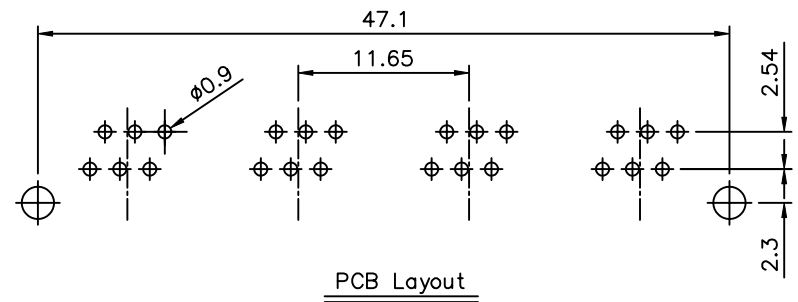


**SPECIFICATION**  
 Insulation Resistance: 1000 Megaohms Min.  
 Withstand Voltage: 1000V AC/Minute  
 Durability: 600 Cycles  
 RoHS Compliant



P/N	Plated
MJMS0604X04KE01-H	1u"
MJMS0604X04KE06-H	6u"
MJMS0604X04KE15-H	15u"

No.	Name	Q'ty	Material
2	Pin	16	QSn6.5-0.1
1	Insulator	4	PBT

**AUK** A MEMBER OF AUK GROUP  
**太聯事業股份有限公司**  
**AUK CONTRACTORS CO., LTD.**

CATEGORY		APPROVED BY		UNLESS OTHERWISE SPECIFIED TOLERANCES ARE 0~10 ±0.10 10~20 ±0.15 20~30 ±0.20
PART No. MJMS0604X04KEXX-H		MEI		
DRAWING No. MJMS0604X04KEXX-H		CHECKED BY HZF		
		DRAWING BY LXX		
SCALE	NONE	REV.	A0	UNIT mm

NO.	REV.	NEW RELEASE	HZF	08/16/2008
		REVISIONS	CHK	DATE