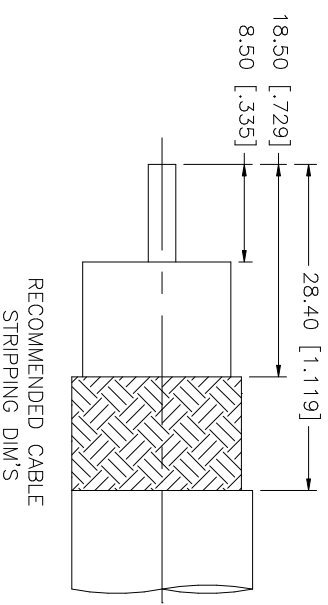
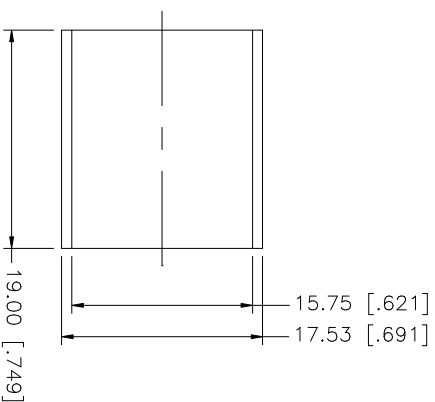
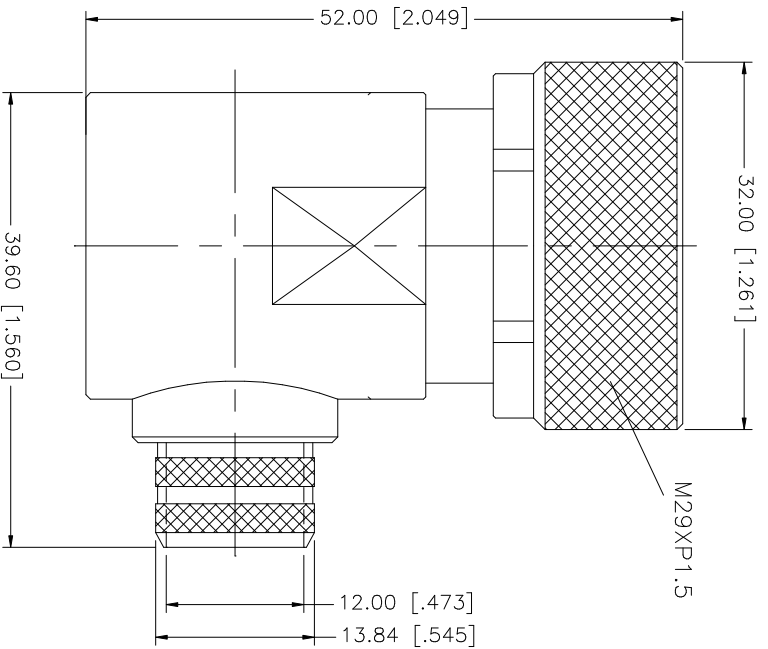


| REV. | DATE | DESCRIPTION |
|------|----------|--|
| A | 12/29/00 | REVISE PLATING TO SILVER |
| B | 07/30/06 | REVISE PLATING TO NEXCOTE, UPDATE DRAWING FORMAT |



- NOTE:
1. CRIMPED FERRULE HEX CRIMP SIZE .610"
 2. CONTACT PIN TO SOLDER

| QTY | DESCRIPTION | MATERIAL | FINISH | QTY | DO NOT SCALE DRAWING | APPROVALS | DATE | PART DESCRIPTION | DWG. NO. | REV. | SIZE | SCALE | |
|-----|-------------|----------|---------|-----|--|-----------|--------|------------------|--|------------|------|-------|----|
| 1 | FERRULE | COPPER | NEXCOTE | 1 | UNLESS OTHERWISE SPECIFIED DIMENSIONS ARE IN MILLIMETERS. DIMENSIONS IN () ARE IN INCHES AND FOR CUSTOMER REFERENCE ONLY. TOLERANCES FOR MILLIMETERS ARE: 0.5 - 8mm ± 0.20mm 8 - 30mm ± 0.40mm 30 - 120mm ± 0.50mm UNLESS OTHERWISE SPECIFIED TOLERANCES FOR INCHES ARE: .020 - .315 = ± 0.007" .315 - 1.180 = ± 0.015" 1.180 - 4.724 = ± 0.020" | DRAWN | G.R.S. | 07/30/06 | Amphenol Connex 7/16 R/A CRIMP PLUG (FOR LMR 600 CABLE) | 272116.DWG | B | A | NA |
| 1 | COVER | BRASS | NEXCOTE | 1 | | CHECKED | | | | | | | |
| 1 | GASKET | SILICONE | BLACK | 1 | | ISSUED | | | | | | | |
| 1 | CONTACT PIN | BRASS | SILVER | 1 | | SHEET | 1 OF 1 | | | | | | |
| 1 | INSULATOR | TEFLON | NATURAL | 1 | | | | | | | | | |
| 1 | BODY | BRASS | NEXCOTE | 1 | | | | | | | | | |
| | | | | | | | | | | | | | |
| | | | | | | | | | | | | | |
| | DESCRIPTION | MATERIAL | FINISH | QTY | | | | | | | | | |

272116