

54AC/74AC163 • 54ACT/74ACT163 Synchronous Presettable Binary Counter

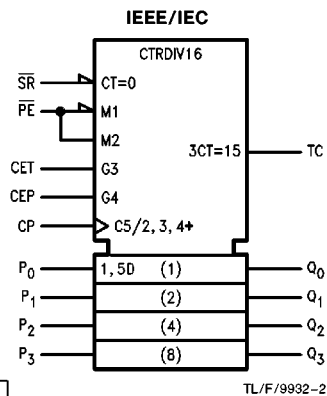
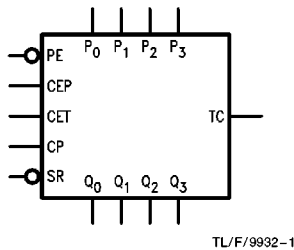
General Description

The 'AC/'ACT163 are high-speed synchronous modulo-16 binary counters. They are synchronously presettable for application in programmable dividers and have two types of Count Enable inputs plus a Terminal Count output for versatility in forming synchronous multistage counters. The 'AC/'ACT163 has a Synchronous Reset input that overrides counting and parallel loading and allows the outputs to be simultaneously reset on the rising edge of the clock.

Features

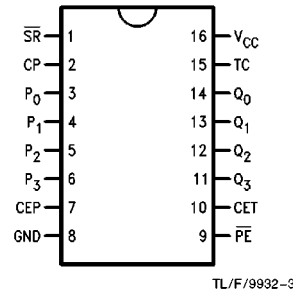
- I_{CC} reduced by 50%
- Synchronous counting and loading
- High-speed synchronous expansion
- Typical count rate of 125 MHz
- Outputs source/sink 24 mA
- 'ACT163 has TTL-compatible inputs
- Standard Military Drawing (SMD)
 - 'AC163: 5962-89582
 - 'ACT163: 5962-90575

Logic Symbols

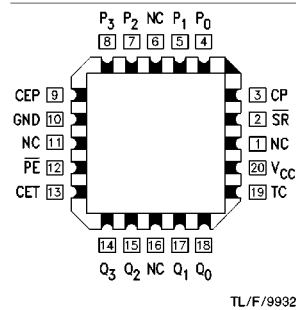


Connection Diagrams

Pin Assignment for DIP, Flatpak and SOIC



Pin Assignment for LCC



| Pin Names | Description |
|--------------------------------|-----------------------------|
| CEP | Count Enable Parallel Input |
| CET | Count Enable Trickle Input |
| CP | Clock Pulse Input |
| SR | Synchronous Reset Input |
| P ₀ -P ₃ | Parallel Data Inputs |
| PE | Parallel Enable Input |
| Q ₀ -Q ₃ | Flip-Flop Outputs |
| TC | Terminal Count Output |

FACT™ is a trademark of National Semiconductor Corporation.

Functional Description

The 'AC/'ACT163 counts in modulo-16 binary sequence. From state 15 (HHHH) it increments to state 0 (LLLL). The clock inputs of all flip-flops are driven in parallel through a clock buffer. Thus all changes of the Q outputs occur as a result of, and synchronous with, the LOW-to-HIGH transition of the CP input signal. The circuits have four fundamental modes of operation, in order of precedence: synchronous reset, parallel load, count-up and hold. Four control inputs—Synchronous Reset (\overline{SR}), Parallel Enable (\overline{PE}), Count Enable Parallel (CEP) and Count Enable Trickle (CET)—determine the mode of operation, as shown in the Mode Select Table. A LOW signal on \overline{SR} overrides counting and parallel loading and allows all outputs to go LOW on the next rising edge of CP. A LOW signal on \overline{PE} overrides counting and allows information on the Parallel Data (P_n) inputs to be loaded into the flip-flops on the next rising edge of CP. With \overline{PE} and \overline{SR} HIGH, CEP and CET permit counting when both are HIGH. Conversely, a LOW signal on either CEP or CET inhibits counting.

The 'AC/'ACT163 uses D-type edge-triggered flip-flops and changing the \overline{SR} , \overline{PE} , CEP and CET inputs when the CP is in either state does not cause errors, provided that the recommended setup and hold times, with respect to the rising edge of CP, are observed.

The Terminal Count (TC) output is HIGH when CET is HIGH and counter is in state 15. To implement synchronous multi-stage counters, the TC outputs can be used with the CEP and CET inputs in two different ways.

Figure 1 shows the connections for simple ripple carry, in which the clock period must be longer than the CP to \overline{TC} delay of the first stage, plus the cumulative \overline{CET} to \overline{TC} delays of the intermediate stages, plus the \overline{CET} to CP setup time of the last stage. This total delay plus setup time sets the upper limit on clock frequency. For faster clock rates, the carry lookahead connections shown in Figure 2 are recommended. In this scheme the ripple delay through the intermediate stages commences with the same clock that causes the first stage to tick over from max to min in the Up mode, or min to max in the Down mode, to start its final cycle. Since this final cycle takes 16 clocks to complete,

there is plenty of time for the ripple to progress through the intermediate stages. The critical timing that limits the clock period is the CP to \overline{TC} delay of the first stage plus the \overline{CET} to CP setup time of the last stage. The \overline{TC} output is subject to decoding spikes due to internal race conditions and is therefore not recommended for use as a clock or asynchronous reset for flip-flops, registers or counters.

$$\text{Logic Equations: Count Enable} = \text{CEP} \cdot \text{CET} \cdot \overline{\text{PE}}$$

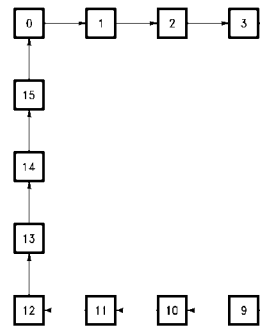
$$\text{TC} = Q_0 \cdot Q_1 \cdot Q_2 \cdot Q_3 \cdot \text{CET}$$

Mode Select Table

| \overline{SR} | \overline{PE} | CET | CEP | Action on the Rising Clock Edge (\nearrow) |
|-----------------|-----------------|-----|-----|--|
| L | X | X | X | Reset (Clear) |
| H | L | X | X | Load ($P_n \rightarrow Q_n$) |
| H | H | H | H | Count (Increment) |
| H | H | L | X | No Change (Hold) |
| H | H | X | L | No Change (Hold) |

H = HIGH Voltage Level
L = LOW Voltage Level
X = Immaterial

State Diagram



TL/F/9932-5

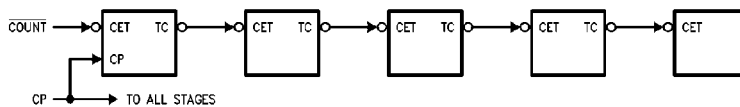


FIGURE 1

TL/F/9932-8

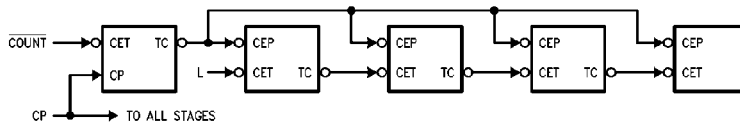
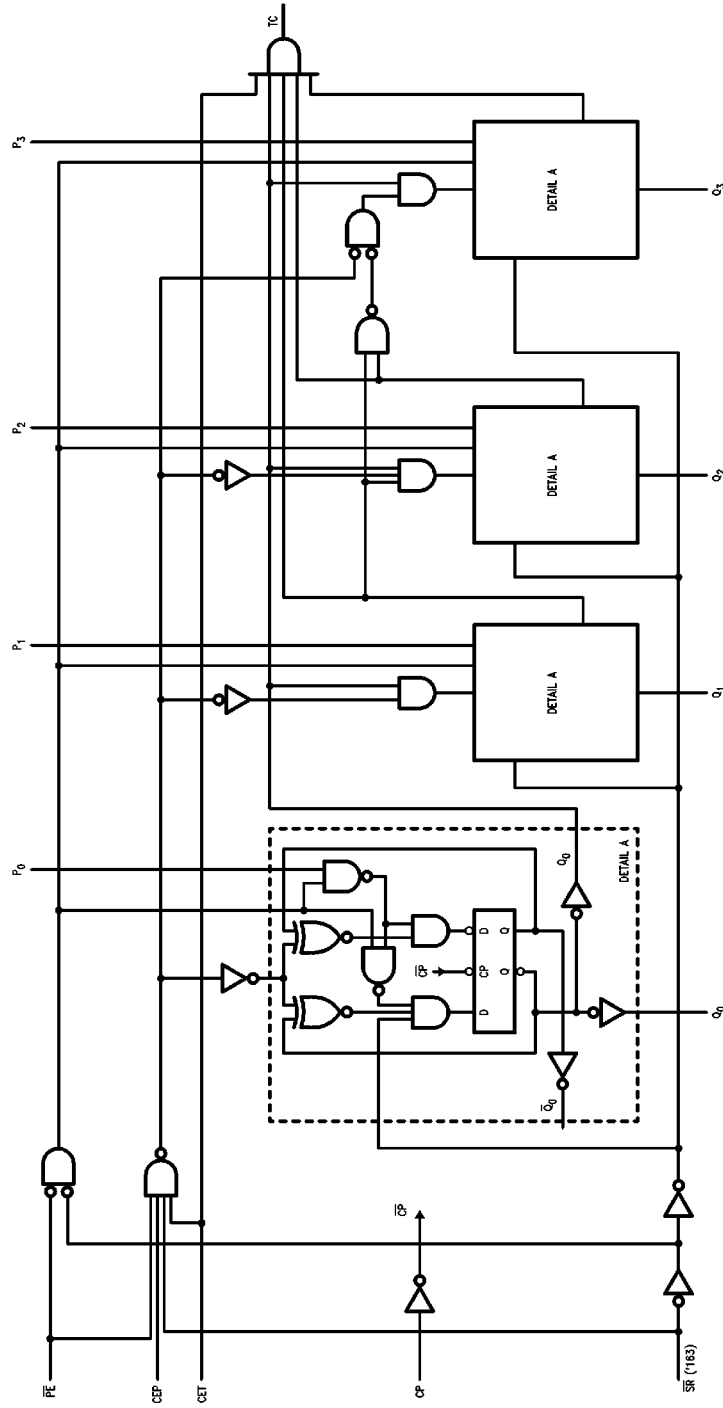


FIGURE 2

TL/F/9932-9

Block Diagram



TL/F/9932-6

Please note that this diagram is provided only for the understanding of logic operations and should not be used to estimate propagation delays.

Absolute Maximum Ratings (Note 1)

If Military/Aerospace specified devices are required, please contact the National Semiconductor Sales Office/Distributors for availability and specifications.

| | |
|--|--------------------------|
| Supply Voltage (V_{CC}) | -0.5V to +7.0V |
| DC Input Diode Current (I_{IK}) | -20 mA |
| $V_I = -0.5V$ | -20 mA |
| $V_I = V_{CC} + 0.5V$ | +20 mA |
| DC Input Voltage (V_I) | -0.5V to $V_{CC} + 0.5V$ |
| DC Output Diode Current (I_{OK}) | -20 mA |
| $V_O = -0.5V$ | -20 mA |
| $V_O = V_{CC} + 0.5V$ | +20 mA |
| DC Output Voltage (V_O) | -0.5V to $V_{CC} + 0.5V$ |
| DC Output Source or Sink Current (I_O) | ± 50 mA |
| DC V_{CC} or Ground Current per Output Pin (I_{CC} or I_{GND}) | ± 50 mA |
| Storage Temperature (T_{STG}) | -65°C to +150°C |
| Junction Temperature (T_J) | |
| CDIP | 175°C |
| PDIP | 140°C |

Note 1: Absolute maximum ratings are those values beyond which damage to the device may occur. The databook specifications should be met, without exception, to ensure that the system design is reliable over its power supply, temperature, and output/input loading variables. National does not recommend operation of FACT™ circuits outside databook specifications.

Recommended Operating Conditions

| | | |
|---|--|-----------------|
| Supply Voltage (V_{CC}) | | 2.0V to 6.0V |
| 'AC | | 4.5V to 5.5V |
| 'ACT | | |
| Input Voltage (V_I) | | 0V to V_{CC} |
| Output Voltage (V_O) | | 0V to V_{CC} |
| Operating Temperature (T_A) | | -40°C to +85°C |
| 74AC/ACT | | -55°C to +125°C |
| 54AC/ACT | | |
| Minimum Input Edge Rate ($\Delta V/\Delta t$) | | |
| 'AC Devices | | |
| V_{IN} from 30% to 70% of V_{CC} | | |
| V_{CC} @ 3.3V, 4.5V, 5.5V | | 125 mV/ns |
| Minimum Input Edge Rate ($\Delta V/\Delta t$) | | |
| 'ACT Devices | | |
| V_{IN} from 0.8V to 2.0V | | |
| V_{CC} @ 4.5V, 5.5V | | 125 mV/ns |

DC Characteristics for 'AC Family Devices

| Symbol | Parameter | V_{CC} (V) | 74AC | | 54AC | 74AC | Units | Conditions |
|----------|-----------------------------------|-----------------|---------------------------|-------------------|----------------------------|---------------------------|---------|--|
| | | | $T_A = +25^\circ\text{C}$ | | $T_A =$ -55°C to +125°C | $T_A =$ -40°C to +85°C | | |
| | | | Typ | Guaranteed Limits | | | | |
| V_{IH} | Minimum High Level Input Voltage | 3.0 | 1.5 | 2.1 | 2.1 | 2.1 | V | $V_{OUT} = 0.1V$ or $V_{CC} - 0.1V$ |
| | | 4.5 | 2.25 | 3.15 | 3.15 | 3.15 | | |
| | | 5.5 | 2.75 | 3.85 | 3.85 | 3.85 | | |
| V_{IL} | Maximum Low Level Input Voltage | 3.0 | 1.5 | 0.9 | 0.9 | 0.9 | V | $V_{OUT} = 0.1V$ or $V_{CC} - 0.1V$ |
| | | 4.5 | 2.25 | 1.35 | 1.35 | 1.35 | | |
| | | 5.5 | 2.75 | 1.65 | 1.65 | 1.65 | | |
| V_{OH} | Minimum High Level Output Voltage | 3.0 | 2.99 | 2.9 | 2.9 | 2.9 | V | $I_{OUT} = -50 \mu A$ |
| | | 4.5 | 4.49 | 4.4 | 4.4 | 4.4 | | |
| | | 5.5 | 5.49 | 5.4 | 5.4 | 5.4 | | |
| V_{OL} | Maximum Low Level Output Voltage | 3.0 | | 2.56 | 2.4 | 2.46 | V | * $V_{IN} = V_{IL}$ or V_{IH} -12 mA I_{OH} -24 mA -24 mA |
| | | 4.5 | | 3.86 | 3.7 | 3.76 | | |
| | | 5.5 | | 4.86 | 4.7 | 4.76 | | |
| V_{OL} | Maximum Low Level Output Voltage | 3.0 | 0.002 | 0.1 | 0.1 | 0.1 | V | $I_{OUT} = 50 \mu A$ |
| | | 4.5 | 0.001 | 0.1 | 0.1 | 0.1 | | |
| | | 5.5 | 0.001 | 0.1 | 0.1 | 0.1 | | |
| V_{OL} | Maximum Low Level Output Voltage | 3.0 | | 0.36 | 0.50 | 0.44 | V | * $V_{IN} = V_{IL}$ or V_{IH} 12 mA I_{OL} 24 mA 24 mA |
| | | 4.5 | | 0.36 | 0.50 | 0.44 | | |
| | | 5.5 | | 0.36 | 0.50 | 0.44 | | |
| I_{IN} | Maximum Input Leakage Current | 5.5 | | ± 0.1 | ± 1.0 | ± 1.0 | μA | $V_I = V_{CC}, GND$ |

*All outputs loaded; thresholds on input associated with output under test.

DC Characteristics for 'AC Family Devices (Continued)

| Symbol | Parameter | V _{CC} (V) | 74AC | | 54AC | 74AC | Units | Conditions |
|------------------|----------------------------------|------------------------|------------------------|-------------------|-------------------------------------|------------------------------------|-------|---|
| | | | T _A = +25°C | | T _A = -55°C to +125°C | T _A = -40°C to +85°C | | |
| | | | Typ | Guaranteed Limits | | | | |
| I _{OLD} | †Minimum Dynamic Output Current | 5.5 | | | 50 | 75 | mA | V _{OLD} = 1.65V Max |
| I _{OHD} | | 5.5 | | | -50 | -75 | mA | V _{OHD} = 3.85V Min |
| I _{CC} | Maximum Quiescent Supply Current | 5.5 | | 4.0 | 80.0 | 40.0 | μA | V _{IN} = V _{CC} or GND |

†Maximum test duration 2.0 ms, one output loaded at a time.

Note: I_{IN} and I_{CC} @ 3.0V are guaranteed to be less than or equal to the respective limit @ 5.5V V_{CC}.
I_{CC} for 54AC @ 25°C is identical to 74AC @ 25°C.

DC Characteristics for 'ACT Family Devices

| Symbol | Parameter | V _{CC} (V) | 74ACT | | 54ACT | 74ACT | Units | Conditions |
|-------------------|-----------------------------------|------------------------|------------------------|-------------------|-------------------------------------|------------------------------------|-------|--|
| | | | T _A = +25°C | | T _A = -55°C to +125°C | T _A = -40°C to +85°C | | |
| | | | Typ | Guaranteed Limits | | | | |
| V _{IH} | Minimum High Level Input Voltage | 4.5 | 1.5 | 2.0 | 2.0 | 2.0 | V | V _{OUT} = 0.1V or V _{CC} - 0.1V |
| | | 5.5 | 1.5 | 2.0 | 2.0 | 2.0 | | |
| V _{IL} | Maximum Low Level Input Voltage | 4.5 | 1.5 | 0.8 | 0.8 | 0.8 | V | V _{OUT} = 0.1V or V _{CC} - 0.1V |
| | | 5.5 | 1.5 | 0.8 | 0.8 | 0.8 | | |
| V _{OH} | Minimum High Level Output Voltage | 4.5 | 4.49 | 4.4 | 4.4 | 4.4 | V | I _{OUT} = -50 μA |
| | | 5.5 | 5.49 | 5.4 | 5.4 | 5.4 | | |
| V _{OL} | Maximum Low Level Output Voltage | 4.5 | 0.001 | 0.1 | 0.1 | 0.1 | V | I _{OUT} = 50 μA |
| | | 5.5 | 0.001 | 0.1 | 0.1 | 0.1 | | |
| V _{OL} | Maximum Low Level Output Voltage | 4.5 | | 0.36 | 0.50 | 0.44 | V | *V _{IN} = V _{IL} or V _{IH} I _{OH} = -24 mA I _{OL} = 24 mA |
| | | 5.5 | | 0.36 | 0.50 | 0.44 | | |
| I _{IN} | Maximum Input Leakage Current | 5.5 | | ±0.1 | ±1.0 | ±1.0 | μA | V _I = V _{CC} , GND |
| I _{CC} T | Maximum I _{CC} /Input | 5.5 | 0.6 | | 1.6 | 1.5 | mA | V _I = V _{CC} - 2.1V |
| I _{OLD} | †Minimum Dynamic Output Current | 5.5 | | | 50 | 75 | mA | V _{OLD} = 1.65V Max |
| I _{OHD} | | 5.5 | | | -50 | -75 | mA | V _{OHD} = 3.85V Min |
| I _{CC} | Maximum Quiescent Supply Current | 5.5 | | 4.0 | 80.0 | 40.0 | μA | V _{IN} = V _{CC} or GND |

*All outputs loaded; thresholds on input associated with output under test.

†Maximum test duration 2.0 ms, one output loaded at a time.

Note: I_{CC} for 54ACT @ 25°C is identical to 74ACT @ 25°C.

AC Electrical Characteristics

| Symbol | Parameter | V _{CC} * (V) | 74AC | | | 54AC | | 74AC | | Units |
|------------------|---|--------------------------|--|-------------|--------------|---|--------------|--|--------------|-------|
| | | | T _A = +25°C C _L = 50 pF | | | T _A = -55°C to +125°C C _L = 50 pF | | T _A = -40°C to +85°C C _L = 50 pF | | |
| | | | Min | Typ | Max | Min | Max | Min | Max | |
| f _{max} | Maximum Clock Frequency | 3.3 5.0 | 70 110 | 95 140 | | 55 90 | | 60 95 | MHz | |
| t _{PLH} | Propagation Delay, CP to Q _n (PE Input HIGH or LOW) | 3.3 5.0 | 2.0 1.5 | 7.5 5.5 | 12.5 9.0 | 1.0 1.5 | 13.5 9.5 | 1.5 1.0 | 13.5 9.5 | ns |
| t _{PHL} | Propagation Delay, CP to Q _n (PE Input HIGH or LOW) | 3.3 5.0 | 1.5 1.5 | 8.5 6.0 | 12.0 9.5 | 1.0 1.5 | 12.5 9.5 | 1.5 1.5 | 13.0 10.0 | ns |
| t _{PLH} | Propagation Delay CP to TC | 3.3 5.0 | 3.0 2.0 | 9.5 7.0 | 15.0 10.5 | 1.0 1.5 | 16.5 11.0 | 2.5 1.5 | 16.5 11.5 | ns |
| t _{PHL} | Propagation Delay CP to TC | 3.3 5.0 | 3.5 2.0 | 11.0 8.0 | 14.0 11.0 | 1.0 1.5 | 15.0 11.0 | 2.5 2.0 | 15.5 11.5 | ns |
| t _{PLH} | Propagation Delay CET to TC | 3.3 5.0 | 2.0 1.5 | 7.5 5.5 | 9.5 6.5 | 1.0 1.5 | 11.0 7.5 | 1.5 1.0 | 11.0 7.5 | ns |
| t _{PHL} | Propagation Delay CET to TC | 3.3 5.0 | 2.5 2.0 | 8.5 6.0 | 11.0 8.5 | 1.0 1.5 | 12.0 9.0 | 2.0 1.5 | 12.5 9.5 | ns |

*Voltage Range 3.3 is 3.3V ±0.3V
Voltage Range 5.0 is 5.0V ±0.5V

AC Operating Requirements

| Symbol | Parameter | V _{CC} * (V) | 74AC | | 54AC | | 74AC | | Units |
|----------------|---|--------------------------|--|--------------------|---|--------------|--|--|-------|
| | | | T _A = +25°C C _L = 50 pF | | T _A = -55°C to +125°C C _L = 50 pF | | T _A = -40°C to +85°C C _L = 50 pF | | |
| | | | Typ | Guaranteed Minimum | | | | | |
| t _s | Setup Time, HIGH or LOW P _n to CP | 3.3 5.0 | 5.5 4.0 | 13.5 8.5 | 17.0 11.0 | 16.0 10.5 | | | ns |
| t _h | Hold Time, HIGH or LOW P _n to CP | 3.3 5.0 | -7.0 -5.0 | -1.0 0 | -0.5 0 | -0.5 0 | | | ns |
| t _s | Setup Time, HIGH or LOW SR to CP | 3.3 5.0 | 5.5 4.0 | 14.0 9.5 | 17.0 12.0 | 16.5 11.0 | | | ns |
| t _h | Hold Time, HIGH or LOW SR to CP | 3.3 5.0 | -7.5 -5.5 | -1.0 -0.5 | -0.5 0 | -0.5 0 | | | ns |
| t _s | Setup Time, HIGH or LOW PE to CP | 3.3 5.0 | 5.5 4.0 | 11.5 7.5 | 16.0 9.5 | 14.0 8.5 | | | ns |
| t _h | Hold Time, HIGH or LOW PE to CP | 3.3 5.0 | -7.5 -5.0 | -1.0 -0.5 | -0.5 0 | -0.5 0 | | | ns |
| t _s | Setup Time, HIGH or LOW CEP or CET to CP | 3.3 5.0 | 3.5 2.5 | 6.0 4.5 | 8.0 5.5 | 7.0 5.0 | | | ns |
| t _h | Hold Time, HIGH or LOW CEP or CET to CP | 3.3 5.0 | -4.5 -3.0 | 0 0 | 0 0.5 | 0 0.5 | | | ns |
| t _w | Clock Pulse Width (Load) HIGH or LOW | 3.3 5.0 | 3.0 2.0 | 3.5 2.5 | 5.0 5.0 | 4.0 3.0 | | | ns |
| t _w | Clock Pulse Width (Count) HIGH or LOW | 3.3 5.0 | 3.0 2.0 | 4.0 3.0 | 5.0 5.0 | 4.5 3.5 | | | ns |

*Voltage Range 3.3 is 3.3V ±0.3V
Voltage Range 5.0 is 5.0V ±0.5V

AC Electrical Characteristics

| Symbol | Parameter | V _{CC} * (V) | 74ACT | | | 54ACT | | 74ACT | | Units |
|------------------|---|--------------------------|--|-----|------|---|------|--|------|-------|
| | | | T _A = +25°C C _L = 50 pF | | | T _A = -55°C to +125°C C _L = 50 pF | | T _A = -40°C to +85°C C _L = 50 pF | | |
| | | | Min | Typ | Max | Min | Max | Min | Max | |
| f _{max} | Maximum Clock Frequency | 5.0 | 120 | 140 | | 90 | | 10.5 | MHz | |
| t _{PLH} | Propagation Delay, CP to Q _n (P _E Input HIGH or LOW) | 5.0 | 1.5 | 5.5 | 10.0 | 1.5 | 10.5 | 1.5 | 11.0 | ns |
| t _{PHL} | Propagation Delay, CP to Q _n (P _E Input HIGH or LOW) | 5.0 | 1.5 | 6.0 | 11.0 | 1.5 | 10.5 | 1.5 | 12.0 | ns |
| t _{PLH} | Propagation Delay CP to TC | 5.0 | 2.5 | 7.0 | 11.5 | 1.5 | 12.5 | 2.0 | 13.5 | ns |
| t _{PHL} | Propagation Delay CP to TC | 5.0 | 3.0 | 8.0 | 13.5 | 1.5 | 13.0 | 2.0 | 15.0 | ns |
| t _{PLH} | Propagation Delay CET to TC | 5.0 | 2.0 | 5.5 | 9.0 | 1.5 | 9.5 | 1.5 | 10.5 | ns |
| t _{PHL} | Propagation Delay CET to TC | 5.0 | 2.0 | 6.0 | 10.0 | 1.5 | 9.5 | 2.0 | 11.0 | ns |

*Voltage Range 5.0 is 5.0V ±0.5V

AC Operating Requirements

| Symbol | Parameter | V _{CC} * (V) | 74ACT | | 54ACT | | 74ACT | | Units |
|----------------|---|--------------------------|--|--------------------|---|------|--|--|-------|
| | | | T _A = +25°C C _L = 50 pF | | T _A = -55°C to +125°C C _L = 50 pF | | T _A = -40°C to +85°C C _L = 50 pF | | |
| | | | Typ | Guaranteed Minimum | | | | | |
| t _s | Setup Time, HIGH or LOW P _n to CP | 5.0 | 4.0 | 10.0 | 13.5 | 12.0 | | | ns |
| t _h | Hold Time, HIGH or LOW P _n to CP | 5.0 | -5.0 | 0.5 | 0.5 | 0.5 | | | ns |
| t _s | Setup Time, HIGH or LOW S _R to CP | 5.0 | 4.0 | 10.0 | 13.5 | 11.5 | | | ns |
| t _h | Hold Time, HIGH or LOW S _R to CP | 5.0 | -5.5 | -0.5 | 0.0 | -0.5 | | | ns |
| t _s | Setup Time, HIGH or LOW P _E to CP | 5.0 | 4.0 | 8.5 | 11.5 | 10.5 | | | ns |
| t _h | Hold Time, HIGH or LOW P _E to CP | 5.0 | -5.5 | -0.5 | 0.0 | 0 | | | ns |
| t _s | Setup Time, HIGH or LOW CEP or CET to CP | 5.0 | 2.5 | 5.5 | 7.0 | 6.5 | | | ns |
| t _h | Hold Time, HIGH or LOW CEP or CET to CP | 5.0 | -3.0 | 0 | 0.5 | 0.5 | | | ns |
| t _w | Clock Pulse Width (Load) HIGH or LOW | 5.0 | 2.0 | 3.5 | 5.0 | 3.5 | | | ns |
| t _w | Clock Pulse Width (Count) HIGH or LOW | 5.0 | 2.0 | 3.5 | 5.0 | 3.5 | | | ns |

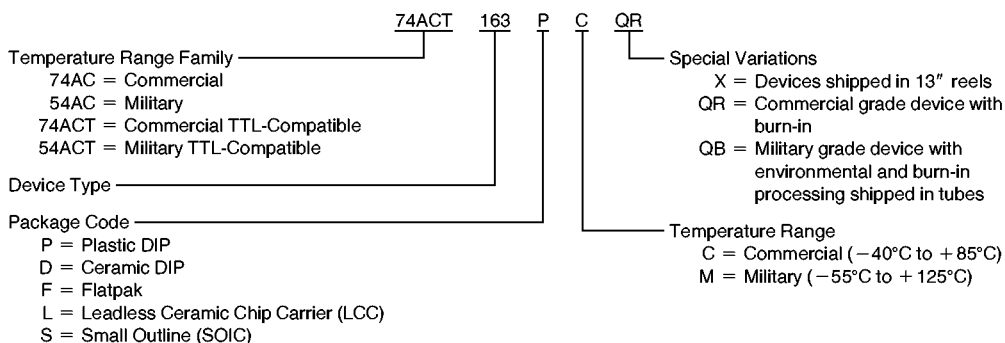
*Voltage Range 5.0 is 5.0V ±0.5V

Capacitance

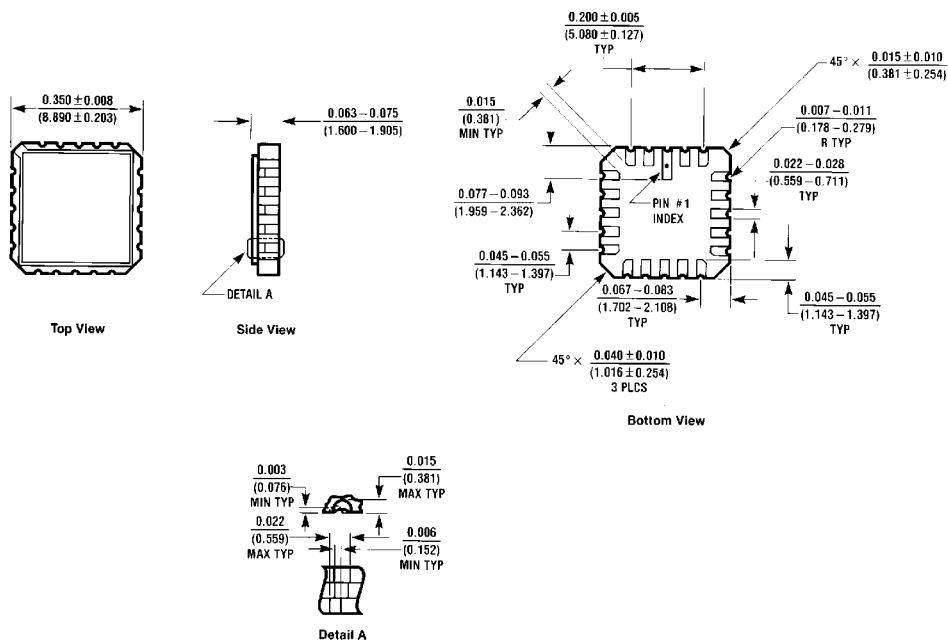
| Symbol | Parameter | Typ | Units | Conditions |
|----------|-------------------------------|------|-------|-----------------|
| C_{IN} | Input Capacitance | 4.5 | pF | $V_{CC} = OPEN$ |
| C_{PD} | Power Dissipation Capacitance | 45.0 | pF | $V_{CC} = 5.0V$ |

Ordering Information

The device number is used to form part of a simplified purchasing code where the package type and temperature range are defined as follows:



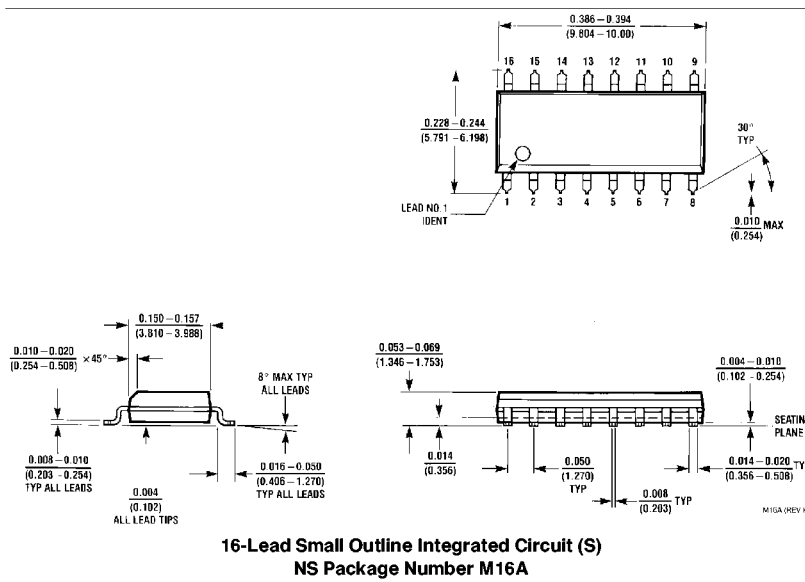
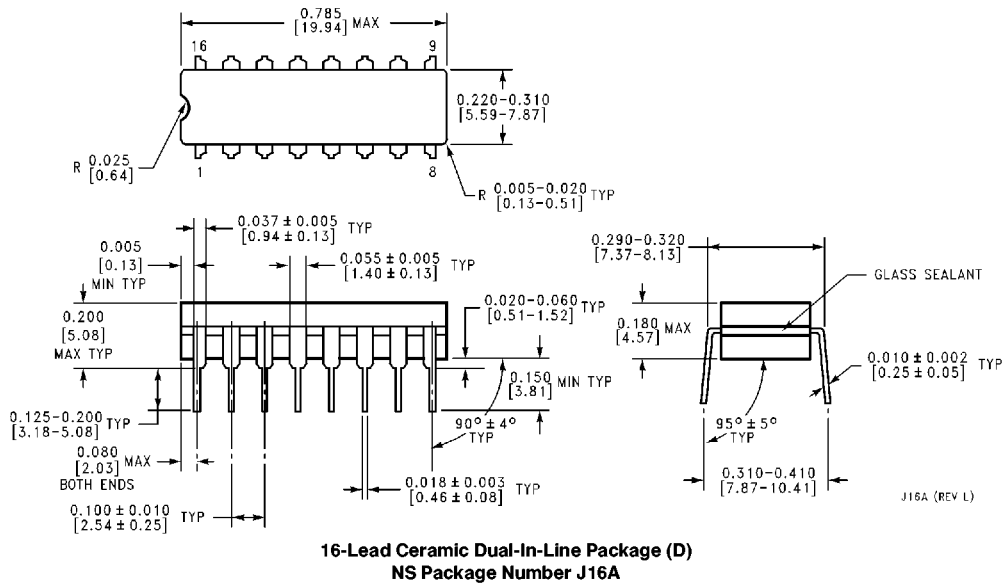
Physical Dimensions inches (millimeters)



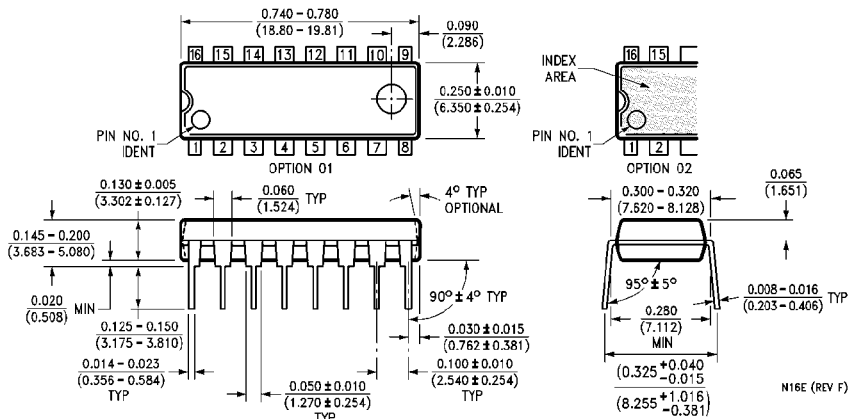
**20 Terminal Ceramic Leadless Chip Carrier (L)
 NS Package Number E20A**

EPWA (REV. D)

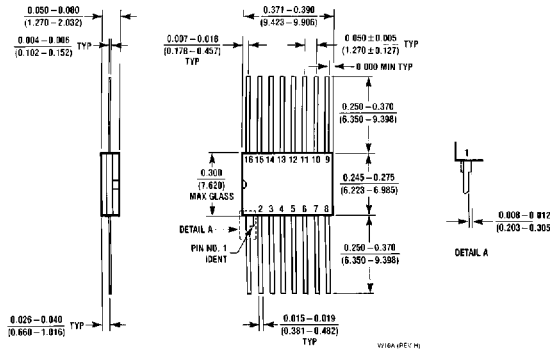
Physical Dimensions inches (millimeters) (Continued)



Physical Dimensions inches (millimeters) (Continued)



16-Lead Plastic Dual-In-Line Package (P)
NS Package Number N16E



16-Lead Ceramic Flatpak (F)
NS Package Number W16A

LIFE SUPPORT POLICY

NATIONAL'S PRODUCTS ARE NOT AUTHORIZED FOR USE AS CRITICAL COMPONENTS IN LIFE SUPPORT DEVICES OR SYSTEMS WITHOUT THE EXPRESS WRITTEN APPROVAL OF THE PRESIDENT OF NATIONAL SEMICONDUCTOR CORPORATION. As used herein:

1. Life support devices or systems are devices or systems which, (a) are intended for surgical implant into the body, or (b) support or sustain life, and whose failure to perform, when properly used in accordance with instructions for use provided in the labeling, can be reasonably expected to result in a significant injury to the user.
2. A critical component is any component of a life support device or system whose failure to perform can be reasonably expected to cause the failure of the life support device or system, or to affect its safety or effectiveness.



National Semiconductor Corporation
1111 West Bardin Road
Arlington, TX 76017
Tel: 1(800) 272-9959
Fax: 1(800) 737-7018

National Semiconductor Europe
Fax: (+49) 0-180-530 85 86
Email: cnjwge@tevm2.nsc.com
Deutsch Tel: (+49) 0-180-530 85 85
English Tel: (+49) 0-180-532 78 32
Français Tel: (+49) 0-180-532 93 58
Italiano Tel: (+49) 0-180-534 16 80

National Semiconductor Hong Kong Ltd.
13th Floor, Straight Block,
Ocean Centre, 5 Canton Rd.
Tsimshatsui, Kowloon
Hong Kong
Tel: (852) 2737-1600
Fax: (852) 2736-9960

National Semiconductor Japan Ltd.
Tel: 81-043-299-2309
Fax: 81-043-299-2408

National does not assume any responsibility for use of any circuitry described, no circuit patent licenses are implied and National reserves the right at any time without notice to change said circuitry and specifications.