



# Series 800 and 822 Thrifty Model Vertisockets™ with Bifurcated Contacts

## FEATURES:

- These low cost Vertisockets™ are recommended for high volume vertical display mounting applications.
- Very useful for connection of board-to-board jumpers and for DIP switches as well as LED devices.

## SPECIFICATIONS:

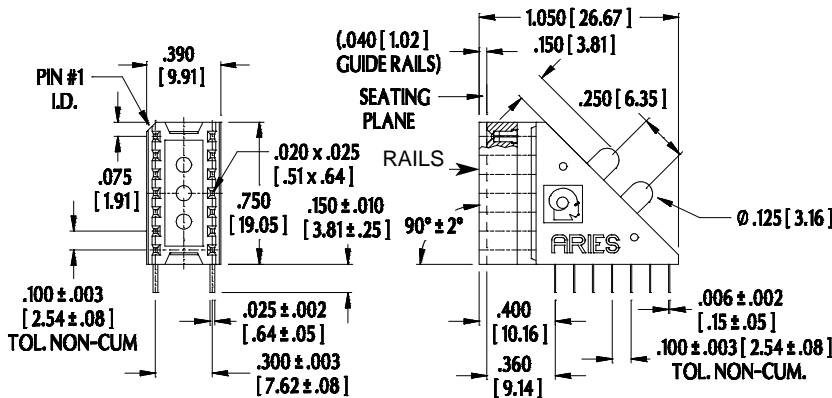
- Standard body material is red UL 94-HB glass-filled Nylon.
- Hi-temp body material is black UL 94V-0 4/6 Nylon.
- Bifurcated contacts are Grade A spring-tempered Phosphor Bronze per QQ-B-750.
- Contact plating is 50µ [1.27µm] min. Tin alloy.
- Contact current rating=1 Amp.
- Operating temperature=221°F [105°C].
- Insertion Force=110 grams/pin average; Withdrawal Force=75 grams/pin average.
- Accepts flat leads up to .014 [.36] thick and .020 [.51] wide; round leads up to .020 [.51] diameter.
- Accepts lead lengths: .075-.160 [1.91-4.06].

## MOUNTING CONSIDERATIONS:

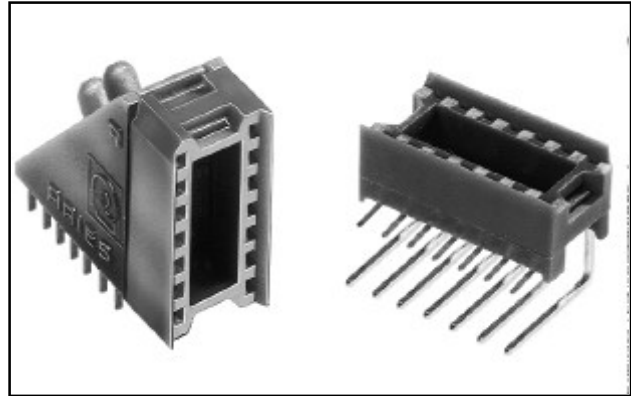
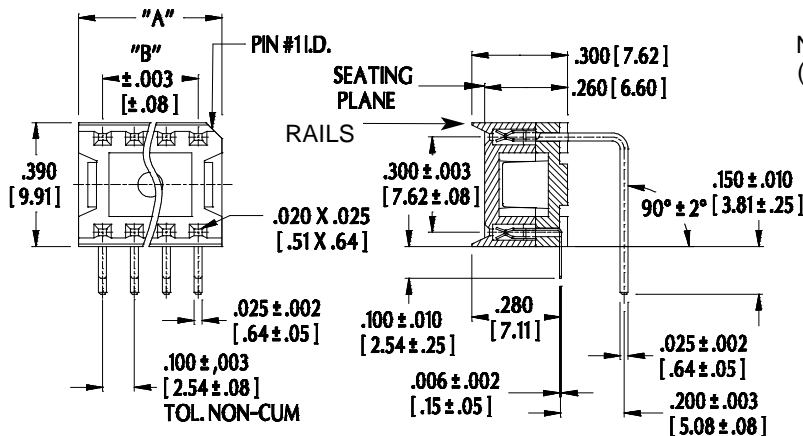
- Suggested PCB hole size:  
Part No. 14-810-90R=.036 ± .002 [.91 ± .05] dia.  
Part No. XX-822-90E=.044 ± .002 [1.12 ± .05] dia.

**ALL DIMENSIONS: INCHES [MILLIMETERS]**

### SERIES 800 - VERTICAL MOUNTING



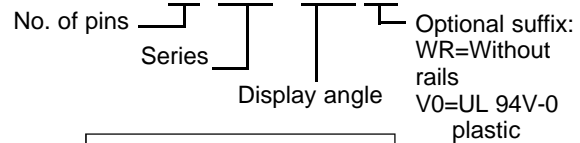
### SERIES 822 - HORIZONTAL MOUNTING



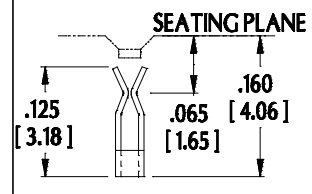
Note: Aries specializes in custom design and production. In addition to the standard products shown on this page, special materials, platings, sizes, and configurations can be furnished, depending on quantities. Aries reserves the right to change product specifications without notice.

## ORDERING INFORMATION

**14-810-90RXX**



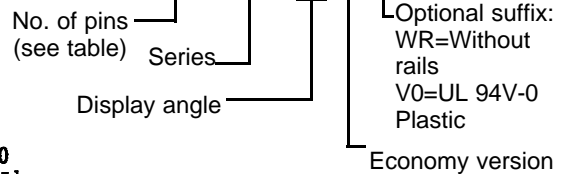
### CONTACT DETAIL



All tolerances ± .005 [.13] unless otherwise specified

## ORDERING INFORMATION

**XX-822-90EXX**



Other sizes available. Consult factory.

No. of Positions	Dim. "A"	Dim. "B"
8	.450 [11.43]	.300 [7.62]
14	.750 [19.05]	.600 [15.24]
16	.850 [21.59]	.700 [17.78]
18	.950 [24.13]	.800 [20.32]
20	1.050 [26.67]	.900 [22.86]

**ARIES**  
ELECTRONICS, INC.  
http://www.arieselec.com • info@arieselec.com

NORTH AMERICA  
Frenchtown, NJ USA  
TEL: (908) 996-6841  
FAX: (908) 996-3891



EUROPE  
TEL: +44 870 240 0249  
FAX: +44 871 919 6033  
europe@arieselec.com

13003  
REV.B