

Standard Radial Lead Metal Oxide Varistor

NR Series

Electrical Characteristics

NR SERIES RADIAL LEAD Part #	MAXIMUM RATINGS @ 85°C					CHARACTERISTICS @ 25°C					SAFETY APPROVALS		
	Continuous		Transient			Varistor Voltage @ Test Current *1mA		Max. Clamping Voltage @ Test Current (8x20µs)		Typical Cap.	UL 1414	UL 1449	CSA C22.2 No.1
	V _{AC} (RMS)	V _{DC}	Energy (2ms)	Rated Power	Peak Current (1 pulse) 8x20µs	Volts	Tol ±	Volts	I _p (A)	pF			
	Volts	Volts	Joules	Watts	Amps	Volts		Volts	Ip(A)	pF			
0117NR05D 0117NR07D 0117NR10D 0117NR12D 0117NR14D 0117NR20D	75	95	2	0.1	400	117	10%	220	5	120		•	•
5			0.25	1200	200			10	190				
11			0.4	2500	200			25	550				
13			0.5	3000	200			35	750				
20			0.6	4500	200			50	1000				
35			1.0	6500	200			100	2150				
0120NR05D 0120NR07D 0120NR10D 0120NR12D 0120NR14D 0120NR20D	75	100	2.5	0.1	400	120	10%	225	5	120		•	•
5			0.25	1200	200			10	190				
12			0.4	2500	200			25	500				
14			0.5	3000	200			35	650				
20			0.6	4500	200			50	990				
40			1.0	6500	200			100	1980				
0150NR05D 0150NR07D 0150NR10D 0150NR12D 0150NR14D 0150NR20D	95	120	3	0.1	400	150	10%	265	5	85		•	•
6			0.25	1200	250			10	150				
15			0.4	2500	250			25	400				
18			0.5	3000	250			35	450				
25			0.6	4500	250			50	750				
50			1.0	6500	250			100	1850				
0183NR05D 0183NR07D 0183NR10D 0183NR12D 0183NR14D 0183NR20D	115	150	3.5	0.1	400	183	10%	315	5	70		•	•
8			0.25	1200	305			10	120				
18			0.4	2500	305			25	320				
22			0.5	3000	305			35	370				
30			0.6	4500	305			50	600				
60			1.0	6500	305			100	1550				
0200NR05D 0200NR07D 0200NR10D 0200NR12D 0200NR14D 0200NR20D	125	165	4	0.1	400	200	10%	355	5	70		•	•
9			0.25	1200	330			10	115				
20			0.4	2500	330			25	290				
23			0.5	3000	330			35	350				
35			0.6	4500	330			50	595				
70			1.0	6500	330			100	1190				
0216NR05D 0216NR07D 0216NR10D 0216NR12D 0216NR14D 0216NR20D	135	175	4.5	0.1	400	216	10%	370	5	65		•	•
10			0.25	1200	355			10	110				
21			0.4	2500	355			25	270				
25			0.5	3000	355			35	330				
40			0.6	4500	355			50	550				
75			1.0	6500	355			100	1100				
0216NR20DB	130	175	72	1.0	6500	184-220	325	100	1100		•	•	
0220NR05D 0220NR07D 0220NR10D 0220NR12D 0220NR14D 0220NR20D	140	180	4.5	0.1	400	220	10%	380	5	65		•	•
10			0.25	1200	360			10	110				
23			0.4	2500	360			25	260				
26			0.5	3000	360			35	320				
40			0.6	4500	360			50	540				
75			1.0	6500	360			100	1100				
0240NR05D 0240NR07D 0240NR10D 0240NR12D 0240NR14D 0240NR20D	150	200	5	0.1	400	240	10%	415	5	60		•	•
11			0.25	1200	395			10	105				
25			0.4	2500	395			25	240				
28			0.5	3000	395			35	290				
45			0.6	4500	395			50	500				
80			1.0	6500	395			100	960				
0240NR20DB	150	200	80	1.0	6500	216-248	360	100	920		•	•	

*Varistor Voltage @ Test Current 1mA V_{DC}, Except NR & ZR Series Size 5D @ Test Current 0.1mA V_{DC}



90 Broadway, Buffalo, NY 14203-1687

2651 John Street, Unit #4, Markham, Ontario L3R 2W5

☎: 716-854-3443

☎: 905-475-6202

Fax: 716-854-3448

Fax: 905-475-1926

website: www.stetron.com

✉: varistors@stetron.com

Standard Radial Lead Metal Oxide Varistor

NR Series

Electrical Characteristics

NR SERIES	MAXIMUM RATINGS @ 85°C					CHARACTERISTICS @ 25°C					SAFETY APPROVALS		
	Continuous		Transient			Varistor Voltage @ Test Current *1mA		Max. Clamping Voltage @ Test Current (8x20µs)		Typical Cap.	UL 1414	UL 1449	CSA C22.2 No.1
	V _{AC} (RMS)	V _{DC}	Energy (2ms)	Rated Power	Peak Current (1 pulse) 8x20µs	Volts	Tol ±	Volts	I _p (A)	pF			
	Volts	Volts	Joules	Watts	Amps	Volts		Volts					
Part #	Volts	Volts	Joules	Watts	Amps	Volts		Volts		pF			
0250NR05D	160	205	5	0.1	400	250	10%	430	5	60	•	•	•
0250NR07D			11	0.25	1200			410	10	100	•	•	•
0250NR10D			25	0.4	2500			410	25	230	•	•	•
0250NR12D			30	0.5	3000			410	35	280	•	•	•
0250NR14D			45	0.6	4500			410	50	480	•	•	•
0250NR20D			80	1.0	6500			410	100	920	•	•	•
0270NR05D	170	225	6	0.1	400	270	10%	475	5	55	•	•	•
0270NR07D			12	0.25	1200			450	10	95	•	•	•
0270NR10D			30	0.4	2500			450	25	220	•	•	•
0270NR12D			32	0.5	3000			450	35	270	•	•	•
0270NR14D			50	0.6	4500			450	50	450	•	•	•
0270NR20D			90	1.0	6500			450	100	860	•	•	•
0283NR05D	180	230	6	0.1	400	283	10%	485	5	55	•	•	•
0283NR07D			12	0.25	1200			465	10	90	•	•	•
0283NR10D			31	0.4	2500			465	25	205	•	•	•
0283NR12D			33	0.5	3000			465	35	255	•	•	•
0283NR14D			50	0.6	4500			465	50	430	•	•	•
0283NR20D			90	1.0	6500			465	100	820	•	•	•
0330NR05D	210	270	7	0.1	400	330	10%	565	5	45	•	•	•
0330NR07D			13	0.25	1200			545	10	80	•	•	•
0330NR10D			33	0.4	2500			545	25	180	•	•	•
0330NR12D			40	0.5	3000			545	35	230	•	•	•
0330NR14D			55	0.6	4500			545	50	370	•	•	•
0330NR20D			100	1.0	6500			545	100	720	•	•	•
0350NR05D	220	285	7	0.1	400	350	10%	600	5	45	•	•	•
0350NR07D			15	0.25	1200			580	10	75	•	•	•
0350NR10D			35	0.4	2500			580	25	170	•	•	•
0350NR12D			42	0.5	3000			580	35	215	•	•	•
0350NR14D			60	0.6	4500			580	50	350	•	•	•
0350NR20D			110	1.0	6500			580	100	660	•	•	•
0360NR05D	230	300	7.5	0.1	400	360	10%	620	5	45	•	•	•
0360NR07D			15	0.25	1200			595	10	75	•	•	•
0360NR10D			35	0.4	2500			595	25	165	•	•	•
0360NR12D			42	0.5	3000			595	35	210	•	•	•
0360NR14D			65	0.6	4500			595	50	340	•	•	•
0360NR20D			120	1.0	6500			595	100	660	•	•	•
0383NR05D	240	315	8	0.1	400	383	10%	655	5	40	•	•	•
0383NR07D			17	0.25	1200			630	10	70	•	•	•
0383NR10D			37	0.4	2500			630	25	160	•	•	•
0383NR12D			45	0.5	3000			630	35	205	•	•	•
0383NR14D			70	0.6	4500			630	50	320	•	•	•
0383NR20D			130	1.0	6500			630	100	630	•	•	•
0390NR05D	250	320	8	0.1	400	390	10%	675	5	40	•	•	•
0390NR07D			17	0.25	1200			645	10	70	•	•	•
0390NR10D			40	0.4	2500			645	25	155	•	•	•
0390NR12D			47	0.5	3000			645	35	200	•	•	•
0390NR14D			70	0.6	4500			645	50	315	•	•	•
0390NR20D			130	1.0	6500			645	100	620	•	•	•

*Varistor Voltage @ Test Current 1mA V_{DC}, Except NR & ZR Size 5D @ Test Current 0.1mA V_{DC}



90 Broadway, Buffalo, NY 14203-1687

2651 John Street, Unit #4, Markham, Ontario L3R 2W5

☎: 716-854-3443

☎: 905-475-6202

Fax: 716-854-3448

Fax: 905-475-1926

website: www.stetron.com

✉: varistors@stetron.com

Standard Radial Lead Metal Oxide Varistor

NR Series

Electrical Characteristics

NR SERIES RADIAL LEAD Part #	MAXIMUM RATINGS @ 85°C					CHARACTERISTICS @ 25°C					SAFETY APPROVALS		
	Continuous		Transient			Varistor Voltage @ Test Current *1mA		Max. Clamping Voltage @ Test Current (8x20µs)		Typical Cap. @ 1kHz	UL 1449	UL 1414	CSA C22.2 No.1
	V _{AC} (RMS)	V _{DC}	Energy (2ms)	Rated Power	Peak Current (1 pulse) 8x20µs	Volts	Tol ±	Volts	I _p (A)	pF			
Volts	Volts	Joules	Watts	Amps	Volts		Volts						
0416NR05D	260	340	8.5	0.1	400	416	10%	715	5	40	•	•	•
0416NR07D			18	0.25	1200			685	10	65	•	•	•
0416NR10D			42	0.4	2500			685	25	150	•	•	•
0416NR12D			50	0.5	3000			685	35	190	•	•	•
0416NR14D			75	0.6	4500			685	50	300	•	•	•
0416NR20D			135	1.0	6500			685	100	590	•	•	•
0416NR20DB	250	330	135	1.0	6500	354-413		620	100	590	•	•	•
0430NR05D	270	350	9	0.1	400	430	10%	745	5	40	•	•	•
0430NR07D			20	0.25	1200			710	10	65	•	•	•
0430NR10D			45	0.4	2500			710	25	145	•	•	•
0430NR12D			52	0.5	3000			710	35	185	•	•	•
0430NR14D			75	0.6	4500			710	50	295	•	•	•
0430NR20D			140	1.0	6500			710	100	575	•	•	•
0450NR05D	280	370	9.5	0.1	400	450	10%	770	5	38	•	•	•
0450NR07D			20	0.25	1200			740	10	60	•	•	•
0450NR10D			45	0.4	2500			740	25	140	•	•	•
0450NR12D			55	0.5	3000			740	35	180	•	•	•
0450NR14D			80	0.6	4500			740	50	280	•	•	•
0450NR20D			145	1.0	6500			740	100	550	•	•	•
0450NR20DB	275	369	145	1.0	6500	405-453		680	100	550	•	•	•
0470NR05D	300	385	10	0.1	400	470	10%	810	5	38	•	•	•
0470NR07D			20	0.25	1200			775	10	60	•	•	•
0470NR10D			45	0.4	2500			775	25	135	•	•	•
0470NR12D			55	0.5	3000			775	35	175	•	•	•
0470NR14D			80	0.6	4500			775	50	270	•	•	•
0470NR20D			150	1.0	6500			775	100	525	•	•	•
0500NR05D	315	410	10	0.1	400	500	10%	860	5	35	•	•	•
0500NR07D			22	0.25	1200			825	10	55	•	•	•
0500NR10D			50	0.4	2500			825	25	130	•	•	•
0500NR12D			60	0.5	3000			825	35	165	•	•	•
0500NR14D			85	0.6	4500			825	50	250	•	•	•
0500NR20D			150	1.0	6500			825	100	520	•	•	•
0550NR05D	350	450	10	0.1	400	550	10%	945	5	30	•	•	•
0550NR07D			22	0.25	1200			910	10	50	•	•	•
0550NR10D			50	0.4	2500			910	25	125	•	•	•
0550NR12D			60	0.5	3000			910	35	155	•	•	•
0550NR14D			85	0.6	4500			910	50	230	•	•	•
0550NR20D			150	1.0	6500			910	100	480	•	•	•
0620NR10D	390	505	50	0.4	2500	620	10%	1025	25	115	•	•	•
0620NR12D			65	0.5	3000			1025	35	140	•	•	•
0620NR14D			85	0.6	4500			1025	50	205	•	•	•
0620NR20D			150	1.0	6500			1025	100	425	•	•	•
0680NR10D	425	550	55	0.4	2500	680	10%	1135	25	105	•	•	•
0680NR12D			70	0.5	3000			1135	35	135	•	•	•
0680NR14D			90	0.6	4500			1135	50	195	•	•	•
0680NR20D			160	1.0	6500			1135	100	410	•	•	•

*Varistor Voltage @ Test Current 1mA V_{DC}, Except NR & ZR Size 5D @ Test Current 0.1mA V_{DC}



90 Broadway, Buffalo, NY 14203-1687

2651 John Street, Unit #4, Markham, Ontario L3R 2W5

☎: 716-854-3443

☎: 905-475-6202

Fax: 716-854-3448

Fax: 905-475-1926

website: www.stetron.com

✉: varistors@stetron.com

Standard Radial Lead Metal Oxide Varistor

NR Series

Electrical Characteristics

NR SERIES RADIAL LEAD Part #	MAXIMUM RATINGS @ 85°C					CHARACTERISTICS @ 25°C					SAFETY APPROVALS			
	Continuous		Transient			Varistor Voltage @ Test Current 1mA		Max. Clamping Voltage @ Test Current (8x20µs)		Typical Cap.	UL 1414	UL 1449	CSA C22.2 No.1	
	V _{AC} (RMS)	V _{DC}	Energy (2ms)	Rated Power	Peak Current (1 pulse) 8x20µs	Volts	Tol ±	Volts	I _p (A)	pF				
	Volts	Volts	Joules	Watts	Amps	Volts		Volts						
0700NR10D 0700NR12D 0700NR14D 0700NR20D	440	565	58	0.4	2500	700	1200	25	105	•	•	•		
70			0.5	3000	35			130	•				•	•
90			0.6	4500	50			190	•				•	•
160			1.0	6500	100			400	•				•	•
0750NR10D 0750NR12D 0750NR14D 0750NR20D	470	610	65	0.4	2500	750	1255	25	100	•	•	•		
80			0.5	3000	35			120	•				•	•
100			0.6	4500	50			185	•				•	•
175			1.0	6500	100			370	•				•	•
0765NR10D 0765NR12D 0765NR14D 0765NR20D	480	620	65	0.4	2500	765	1300	25	100	•	•	•		
80			0.5	3000	35			120	•				•	•
100			0.6	4500	50			180	•				•	•
175			1.0	6500	100			370	•				•	•
0780NR10D 0780NR12D 0780NR14D 0780NR20D	485	635	65	0.4	2500	780	1305	25	95	•	•	•		
90			0.5	3000	35			120	•				•	•
105			0.6	4500	50			180	•				•	•
180			1.0	6500	100			360	•				•	•
0800NR10D 0800NR12D 0800NR14D 0800NR20D	500	650	70	0.4	2500	800	1350	25	95	•	•	•		
90			0.5	3000	35			115	•				•	•
105			0.6	4500	50			170	•				•	•
180			1.0	6500	100			350	•				•	•
0820NR10D 0820NR12D 0820NR14D 0820NR20D	510	665	70	0.4	2500	820	1370	25	90	•	•	•		
90			0.5	3000	35			115	•				•	•
110			0.6	4500	50			170	•				•	•
190			1.0	6500	100			340	•				•	•
0850NR10D 0850NR12D 0850NR14D 0850NR20D	540	690	75	0.4	2500	850	1450	25	90	•	•	•		
90			0.5	3000	35			110	•				•	•
110			0.6	4500	50			160	•				•	•
190			1.0	6500	100			330	•				•	•
0910NR10D 0910NR12D 0910NR14D 0910NR20D	570	740	75	0.4	2500	910	1520	25	85	•	•	•		
95			0.5	3000	35			105	•				•	•
120			0.6	4500	50			155	•				•	•
190			1.0	6500	100			315	•				•	•
1000NR10D 1000NR12D 1000NR14D 1000NR20D	630	810	80	0.4	2500	1000	1700	25	75	•	•	•		
100			0.5	3000	35			95	•				•	•
130			0.6	4500	50			140	•				•	•
220			1.0	6500	100			290	•				•	•
1100NR10D 1100NR12D 1100NR14D 1100NR20D	690	890	85	0.4	2500	1100	1860	25	70	•	•	•		
110			0.5	3000	35			90	•				•	•
140			0.6	4500	50			130	•				•	•
240			1.0	6500	100			265	•				•	•
1400NR10D 1400NR12D 1400NR14D 1400NR20D	890	1130	110	0.4	2500	1400	2400	25	55	•	•	•		
140			0.5	3000	35			70	•				•	•
180			0.6	4500	50			100	•				•	•
310			1.0	6500	100			220	•				•	•
1800NR10D 1800NR12D 1800NR14D 1800NR20D	1000	1460	140	0.4	2500	1800	3070	25	40	•	•	•		
180			0.5	3000	35			60	•				•	•
230			0.6	4500	50			80	•				•	•
400			1.0	6500	100			140	•				•	•



90 Broadway, Buffalo, NY 14203-1687

2651 John Street, Unit #4, Markham, Ontario L3R 2W5

☎: 716-854-3443

☎: 905-475-6202

Fax: 716-854-3448

Fax: 905-475-1926

website: www.stetron.com

✉: varistors@stetron.com

Dimensions & Markings

ZR & NR Series

Dimensions (mm)

ZR Series Part #	D	H	T	S	d	e	Marking Style*	
	max	max	max	nom	nom	nom		
0018ZR05D	7.0	11.0	4.5	5.0	0.6	1.1	C	
0022ZR05D			1.3					
0024ZR05D			1.3					
0027ZR05D			1.4					
0033ZR05D			5.0			1.6		
0039ZR05D			7.5			5.5		2.0
0047ZR05D						5.0		1.5
0056ZR05D						1.7		
0068ZR05D						5.5		2.0
0082ZR05D			2.2					
0100ZR05D	8.5	12.5	4.5	5.0	0.6	1.1	B	
0022ZR07D			1.3					
0024ZR07D			1.3					
0027ZR07D			1.4					
0033ZR07D			5.0			1.6		
0039ZR07D			9.0			5.5		2.0
0047ZR07D						5.0		1.5
0056ZR07D						1.7		
0068ZR07D						5.5		2.0
0082ZR07D			2.2					
0100ZR07D	12.5	16.0	5.0	7.5	0.8	1.3	B	
0022ZR10D			1.5					
0024ZR10D			1.5					
0027ZR10D			1.6					
0033ZR10D			5.5			1.8		
0039ZR10D			13.0			6.0		2.2
0047ZR10D						1.8		
0056ZR10D						5.5		1.9
0068ZR10D						6.0		2.2
0082ZR10D			2.4					
0100ZR10D	16.5	20.0	5.0	7.5	0.8	1.3	B	
0022ZR14D			1.5					
0024ZR14D			1.5					
0027ZR14D			1.6					
0033ZR14D			5.5			1.8		
0039ZR14D			17.0			6.0		2.2
0047ZR14D						5.5		1.8
0056ZR14D						1.9		
0068ZR14D						6.0		2.2
0082ZR14D			2.4					
0100ZR14D						2.4		

NR Series Part #	D	H	T	S	d	e	Marking Style*
	max	max	max	nom	nom	nom	
0117NR05D	7.0	11.0	4.5	5.0	0.6	1.3	C
0120NR05D			5.0			1.4	
0150NR05D			1.5				
0183NR05D			1.6				
0200NR05D			1.6				
0216NR05D			1.7				
0220NR05D			1.7				
0240NR05D			1.8				
0250NR05D			1.9				
0270NR05D			5.5			2.0	
0283NR05D	7.5	11.5	5.5	5.0	0.6	2.0	B
0330NR05D			6.0			2.3	
0350NR05D			6.0			2.4	
0360NR05D			2.4				
0383NR05D			2.5				
0390NR05D			2.6				
0416NR05D			2.7				
0430NR05D			2.8				
0450NR05D			6.5			2.8	
0470NR05D			3.0				
0500NR05D	3.1						
0550NR05D	7.0	3.3					
0117NR07D	8.5	12.0	4.5	5.0	0.6	1.3	B
0120NR07D			5.0			1.4	
0150NR07D			1.5				
0183NR07D			1.6			A	
0200NR07D			1.6			B	
0216NR07D			1.7			A	
0220NR07D			1.7				
0240NR07D			1.8				
0250NR07D			1.9				
0270NR07D			5.5			2.0	
0283NR07D	2.0						
0330NR07D	9.0	12.5	5.5	5.0	0.6	2.0	B
0350NR07D			6.0			2.3	
0360NR07D			2.4				
0383NR07D			2.4				
0390NR07D			2.5				
0390NR07D			2.6				
0416NR07D			2.7				
0430NR07D			2.8				
0450NR07D			6.5			2.8	
0470NR07D			3.0				
0500NR07D	3.1						
0550NR07D	7.0	3.3					

*Reference Marking Style Options on Page 19



90 Broadway, Buffalo, NY 14203-1687

2651 John Street, Unit #4, Markham, Ontario L3R 2W5

☎: 716-854-3443

☎: 905-475-6202

Fax: 716-854-3448

Fax: 905-475-1926

website: www.stetron.com

✉: varistors@stetron.com

Dimensions & Markings

NR Series

Dimensions (mm)

NR Series Part #	D max	H max	T max	S nom	d nom	e nom	Marking Style*
0117NR10D	12.5	16.0	5.0	7.5	0.8	1.5	B
0120NR10D			5.5			1.6	
0150NR10D						1.7	
0183NR10D						1.8	A
0200NR10D						1.8	B
0216NR10D						1.9	A
0220NR10D						1.9	
0240NR10D						2.0	
0250NR10D						2.1	
0270NR10D			6.0			2.2	
0283NR10D						2.2	
0330NR10D	13.0	17.0				2.5	
0350NR10D			6.5			2.6	
0360NR10D						2.6	
0383NR10D						2.7	
0390NR10D						2.8	
0416NR10D						2.9	
0430NR10D						3.0	
0450NR10D			7.0			3.0	
0470NR10D						3.2	
0500NR10D						3.3	
0550NR10D			7.5			3.5	
0620NR10D	13.5	18.0	8.5			3.9	
0680NR10D			9.0			4.2	
0700NR10D						4.3	
0750NR10D			9.5			4.5	
0765NR10D						4.6	
0780NR10D						4.7	
0800NR10D						4.8	
0820NR10D						4.9	
0850NR10D			10.0			5.0	
0910NR10D						5.3	
1000NR10D			10.5			5.8	
1100NR10D						6.3	
1400NR10D			12.5			7.8	
1800NR10D	14.0	19.0	14.5			9.0	
0117NR12D		18.0	5.0	7.5	0.8	1.5	B
0120NR12D			5.5			1.6	
0150NR12D						1.7	
0183NR12D						1.8	A
0200NR12D						1.8	B
0216NR12D						1.9	A
0220NR12D						1.9	
0240NR12D						2.0	
0250NR12D						2.1	
0270NR12D			6.0			2.2	
0283NR12D						2.2	
0330NR12D	14.5					2.5	
0350NR12D			6.5			2.6	
0360NR12D						2.6	
0383NR12D						2.7	
0390NR12D						2.8	
0416NR12D						2.9	
0430NR12D						3.0	

NR Series Part #	D max	H max	T max	S nom	d nom	e nom	Marking Style*
0450NR12D	14.5	18.0	7.0	7.5	0.8	3.0	A
0470NR12D						3.2	
0500NR12D						3.3	
0550NR12D			7.5			3.5	
0620NR12D	15.0	19.0	8.5			3.9	
0680NR12D			9.0			4.2	
0700NR12D						4.3	
0750NR12D			9.5			4.5	
0765NR12D						4.6	
0780NR12D						4.7	
0800NR12D						4.8	
0820NR12D						4.9	
0850NR12D			10.0			5.0	
0910NR12D						5.3	
1000NR12D	15.5	20.0	10.5			5.8	
1100NR12D						6.3	
1400NR12D			12.5			7.8	
1800NR12D			14.5			9.0	
0117NR14D	16.5	20.0	5.0	7.5	0.8	1.5	B
0120NR14D			5.5			1.6	
0150NR14D						1.7	
0183NR14D						1.8	A
0200NR14D						1.8	B
0216NR14D						1.9	A
0220NR14D						1.9	
0240NR14D						2.0	
0250NR14D						2.1	
0270NR14D			6.0			2.2	
0283NR14D						2.2	
0330NR14D	17.0	21.0				2.5	
0350NR14D			6.5			2.6	
0360NR14D						2.6	
0383NR14D						2.7	
0390NR14D						2.8	
0416NR14D						2.9	
0430NR14D						3.0	
0450NR14D			7.0			3.0	
0470NR14D						3.2	
0500NR14D						3.3	
0550NR14D			7.5			3.5	
0620NR14D	17.5	22.0	8.5			3.9	
0680NR14D			9.0			4.2	
0700NR14D						4.3	
0750NR14D			9.5			4.5	
0765NR14D						4.6	
0780NR14D						4.7	
0800NR14D						4.8	
0820NR14D						4.9	
0850NR14D			10.0			5.0	
0910NR14D						5.3	
1000NR14D			10.5			5.8	
1100NR14D						6.3	
1400NR14D			12.5			7.8	
1800NR14D	18.0		14.5			9.0	

*Reference Marking Style Options on Page 19



90 Broadway, Buffalo, NY 14203-1687

2651 John Street, Unit #4, Markham, Ontario L3R 2W5

☎: 716-854-3443

☎: 905-475-6202

Fax: 716-854-3448

Fax: 905-475-1926

website: www.stetron.com

✉: varistors@stetron.com

Dimensions & Markings

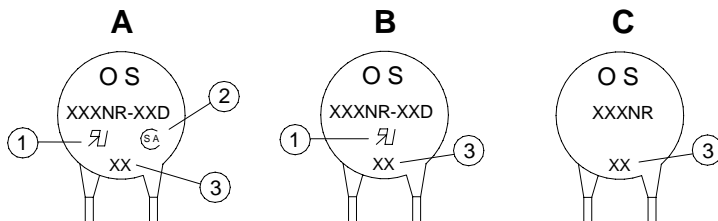
NR & ZM Series

Dimensions (mm)

NR Series Part #	D max	H max	T max	S nom	d nom	e nom	Marking Style	
0117NR20D	22.0	26.0	5.5	10.0	1.0	1.7	B	
0120NR20D			6.0			1.8		
0150NR20D			1.9			A		
0183NR20D			2.0					
0200NR20D			2.0			B		
0216NR20D			2.1			A		
0220NR20D			2.1					
0240NR20D			2.2					
0250NR20D			2.3					
0270NR20D			2.4					
0283NR20D			2.4			6.5	2.4	
0330NR20D			2.7					
0350NR20D			23.0			27.0	7.0	2.8
0360NR20D							2.8	
0383NR20D							2.9	
0390NR20D	2.9							
0416NR20D	3.1							
0430NR20D	3.2							
0450NR20D	7.5	3.2						
0470NR20D		3.3						
0500NR20D		3.5						
0550NR20D	8.0	3.5						
0620NR20D		4.2						
0680NR20D	24.0	28.0		9.5	4.4			
0700NR20D				4.5				
0750NR20D				10.0	4.7			
0765NR20D					4.8			
0780NR20D			4.9					
0800NR20D			5.0					
0820NR20D			5.1					
0850NR20D			10.5	5.2				
0910NR20D				5.5				
1000NR20D				6.0				
1100NR20D			25.0	29.0	11.0	6.5		
1400NR20D					8.0			
1800NR20D					9.5			
					13.0			

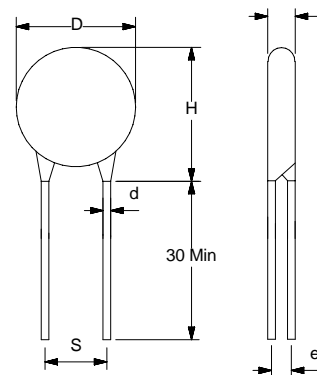
ZM Series Part #	D max	H max	T max	S nom	d nom	e nom	Marking Style		
0008ZM05D	7.5	11.0	4.5	5.0	0.6	1.1	C		
0012ZM05D			1.3						
0022ZM05D			1.6						
0027ZM05D			1.7						
0033ZM05D			2.0						
0039ZM05D			2.2						
0047ZM05D			2.6						
0008ZM07D			8.5			12.5		4.5	1.1
0012ZM07D								1.3	
0022ZM07D								1.6	
0027ZM07D	1.7								
0033ZM07D	2.0								
0039ZM07D	2.2								
0047ZM07D	2.6								
0008ZM10D	12.5	16.0		5.0	7.5		0.8	1.3	
0012ZM10D				1.5					
0022ZM10D				1.8					
0027ZM10D			1.9						
0033ZM10D			2.2						
0039ZM10D			2.4						
0047ZM10D			2.8						
0022ZM14D			16.5	20.0		5.5		1.8	
0027ZM14D						1.9			
0033ZM14D						2.2			
0039ZM14D	17.0	21.0	6.0	2.2					
0047ZM14D			2.4						
			2.8						
0022ZM20D	23.0	26.0	6.0	10.0	1.0	2.0			
0027ZM20D			2.1						
0033ZM20D			2.4						
0039ZM20D			2.6						
0047ZM20D			3.0						

Marking Style Options NS, ZR, NR & ZM



- = UL
- \ = CSA
- ^ = Date Code (91 = 1999 January; 0N = 2000 November)

Dimensions



Lead Wire: Solder Plated Copper Wire
Coating: Non-Flammable Green Epoxy Resin (UL94V-0)

*NS & ZM Series = 20 Min. Lead Length



90 Broadway, Buffalo, NY 14203-1687

2651 John Street, Unit #4, Markham, Ontario L3R 2W5

☎: 716-854-3443

☎: 905-475-6202

Fax: 716-854-3448

Fax: 905-475-1926

website: www.stetron.com

✉: varistors@stetron.com