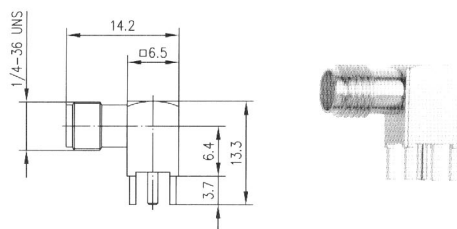


15 SMA-Winkelbuchse für gedruckte Schaltungen

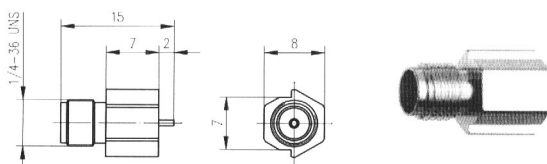
SMA Angle Receptacle, female, for Printed Circuits



Bestell-Nr. Order Nr.	Einbaumaß Mount. dim.	Endziffer Last digit
J01151A019*	Z25	* = 1,8,9

16 SMA-Edge-Mount Buchse in SMT

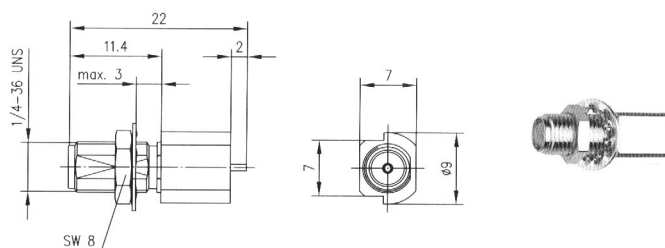
SMA Edge-Mount Jack in SMT



Bestell-Nr. Order Nr.	Einbaumaß Mount. dim.	Anmerkungen Remarks	Endziffer Last digit
J01151A041*	Z89	Edge-Mount-Type	* = 1,8,9

17 SMA-Edge-Mount Einbaubuchse in SMT

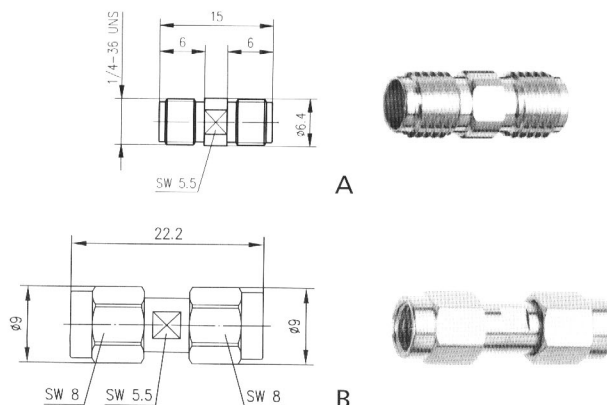
SMA-Edge-Mount Receptacle, female, in SMT



Bestell-Nr. Order Nr.	Einbaumaß Mount. dim.
J01151A0451	Z36/Z97

18 SMA-Kupplung

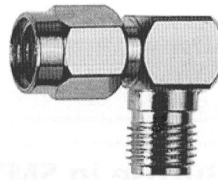
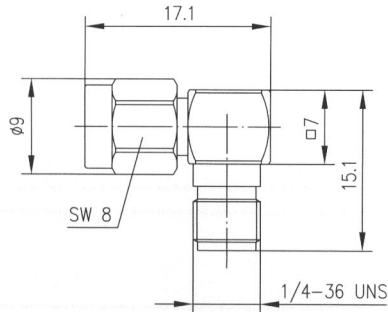
SMA Adaptor



Bestell-Nr. Order Nr.	Abb. Fig.	Anmerkungen Remarks	Endziffer Last digit
J01154A000*	A	Bu-Bu f-f	* = 1,8,9
J01154A003*	B	Sti-Sti m-m	* = 1,8,9

19 SMA-Winkelkupplung

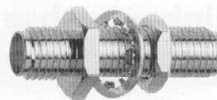
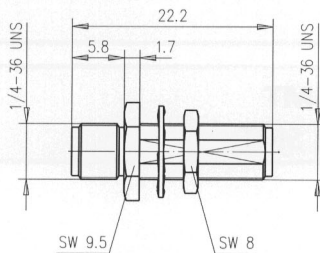
SMA Angle Adaptor



Bestell-Nr. Order Nr.	Anmerkungen Remarks	Endziffer Last digit
J01154A002*	Sti-Bu m-f	* = 1,8,9

20 SMA-Verbindungsstück

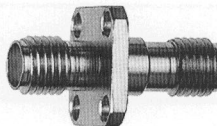
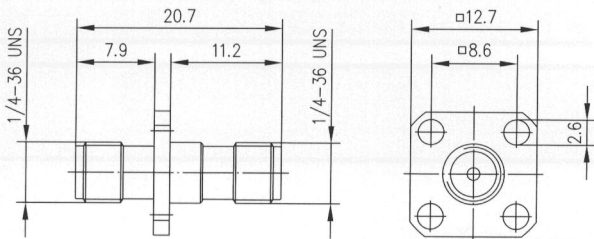
SMA Bulkhead Adaptor



Bestell-Nr. Order Nr.	Einbaumaß Mount. dim.	Anmerkungen Remarks	Endziffer Last digit
J01154A004*	Z36	Bu-Bu f-f	* = 1,8,9

21 SMA-Einbaukupplung mit Flansch

SMA Panel Adaptor



Bestell-Nr. Order Nr.	Einbaumaß Mount. dim.	Anmerkungen Remarks	Endziffer Last digit
J01154A001*	Z29	Bu-Bu f-f	* = 1,8,9