



Raychem | Raychem CMC Series

TE Internal #: 946557-000

Raychem CMC Series, Power Cable, CMC, 600VAC Power Cable

Voltage Rating, Operating Temperature Range -65 – 200 °C, 4AWG

Wire Size

[View on TE.com >](#)

Wire & Cable > Power Cable



Power Cable Type: **CMC**

Power Cable Voltage Rating: **600 VAC**

Power Cable Insulation Material: **Radiation-Crosslinked, Modified Flexible ETFE**

Jacket Material: **Radiation-Crosslinked, Modified Flexible ETFE**

Power Cable Jacket Color: **White**

Features

Product Type Features

Cable Insulation Style	Double
Power Cable Type	CMC
Wall Type	Dual
Product Type	Cable
Product Classification	Cable - Power

Configuration Features

Number of Power Cable Conductors	1
Number of Strands	133

Electrical Characteristics

Power Cable Voltage Rating	600 VAC
----------------------------	---------

Body Features

Power Cable Wire Color	WT
Power Cable Insulation Material	Radiation-Crosslinked, Modified Flexible ETFE
Jacket Material	Radiation-Crosslinked, Modified Flexible ETFE
Power Cable Jacket Color	White
Power Cable Conductor Material	Nickel-Coated Copper

Dimensions



Power Cable Wire Diameter	8.26 mm[.325 in]
Power Cable Conductor Diameter	6.65 mm[.262 in]
Length	50 ft
Strand Size	25 AWG
Wire Size	4 AWG
Overall Outside Diameter	8.26 mm[.325 in]

Usage Conditions

Operating Temperature Range	-65 – 200 °C
-----------------------------	--------------

Packaging Features

Packaging Method	Reel
------------------	------

Product Compliance

[For compliance documentation, visit the product page on TE.com>](#)

EU RoHS Directive 2011/65/EU	Compliant
EU ELV Directive 2000/53/EC	Compliant
China RoHS 2 Directive MIIT Order No 32, 2016	No Restricted Materials Above Threshold
EU REACH Regulation (EC) No. 1907/2006	Current ECHA Candidate List: JUN 2020 (209) Candidate List Declared Against: JUN 2018 (191) Does not contain REACH SVHC
Halogen Content	Out of Scope - excluded from Halogen requirements
Solder Process Capability	Not applicable for solder process capability

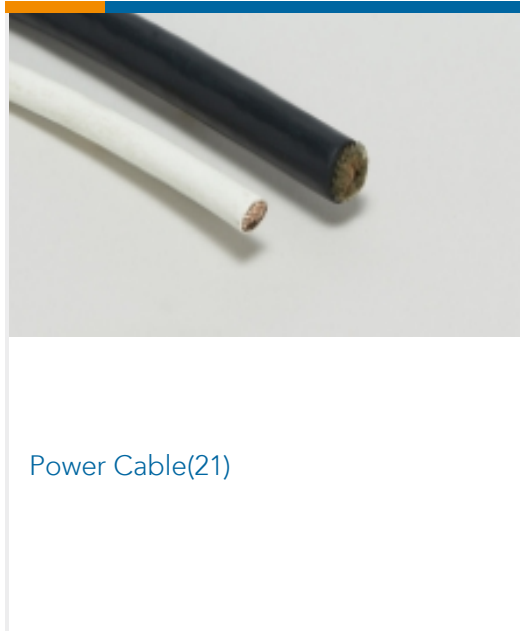
Product Compliance Disclaimer

This information is provided based on reasonable inquiry of our suppliers and represents our current actual knowledge based on the information they provided. This information is subject to change. The part numbers that TE has identified as EU RoHS compliant have a maximum concentration of 0.1% by weight in homogenous materials for lead, hexavalent chromium, mercury, PBB, PBDE, DBP, BBP, DEHP, DIBP, and 0.01% for cadmium, or qualify for an exemption to these limits as defined in the Annexes of Directive 2011/65/EU (RoHS2). Finished electrical and electronic equipment products will be CE marked as required by Directive 2011/65/EU. Components may not be CE marked. Additionally, the part numbers that TE has identified as EU ELV compliant have a maximum concentration of 0.1% by weight in homogenous materials for lead, hexavalent chromium, and mercury, and 0.01% for cadmium, or qualify for an exemption to these limits as defined in the Annexes of Directive 2000/53/EC (ELV). Regarding the REACH Regulation, the information TE provides on SVHC in articles for this part number is based on the latest European Chemicals Agency (ECHA) 'Guidance on requirements for substances in articles' posted at this URL: <https://echa.europa.eu/guidance-documents/guidance-on-reach>

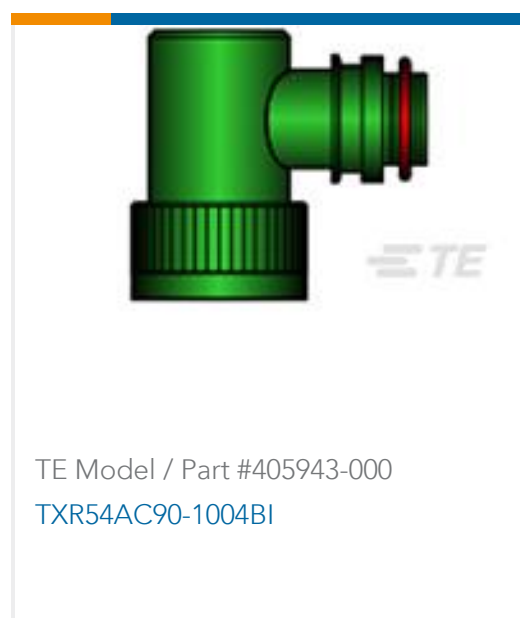
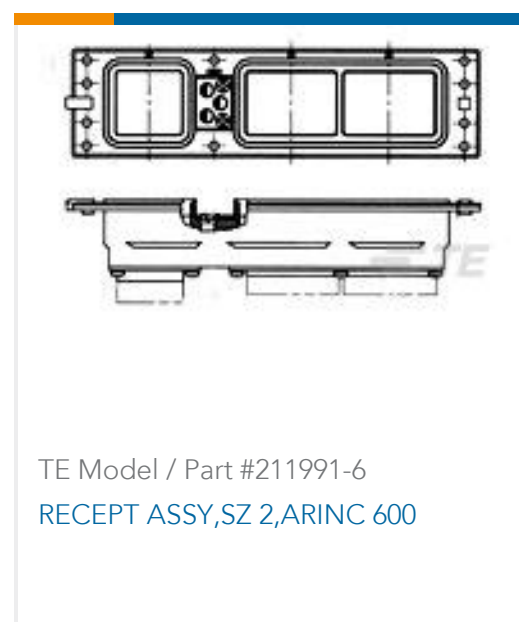
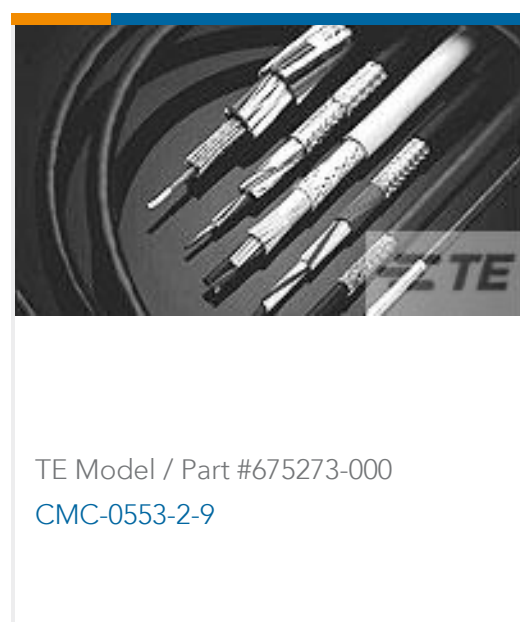
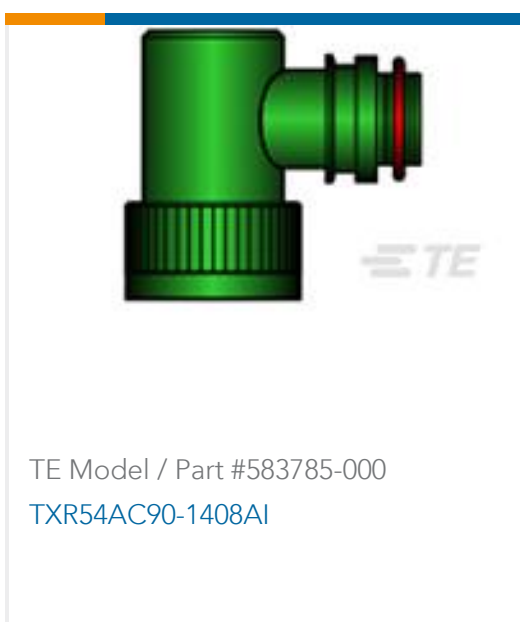
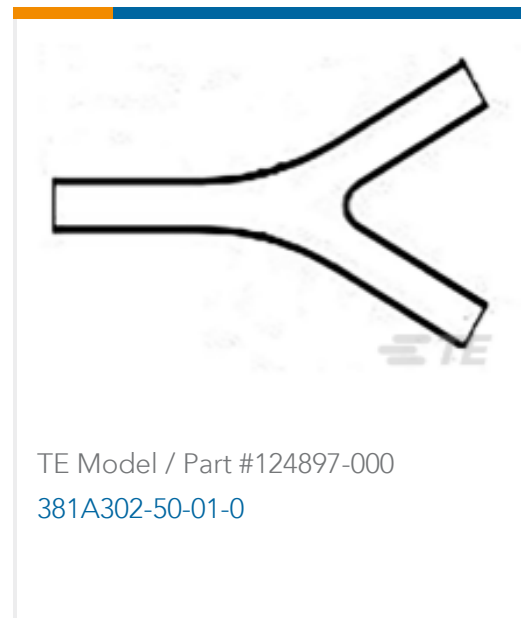
Compatible Parts



Also in the Series | Raychem CMC Series



Customers Also Bought





Documents

Product Drawings

[CMC-0553-4-9](#)

English

Datasheets & Catalog Pages

[Wire and Cable Overview](#)

English

Product Specifications

[Product Specification](#)

English