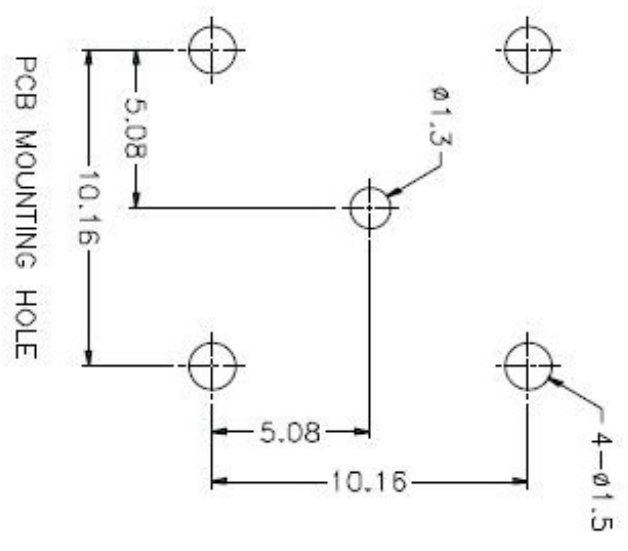
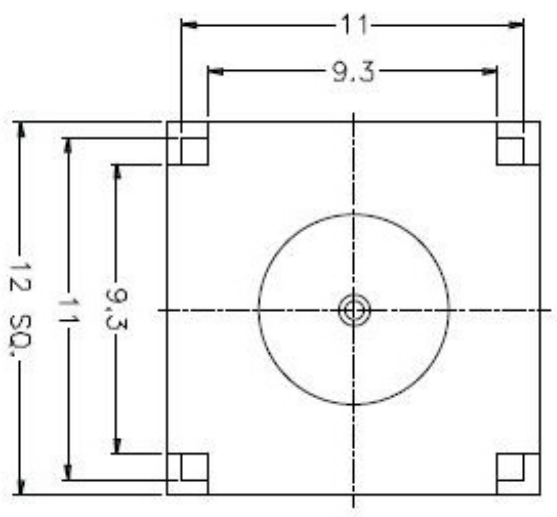
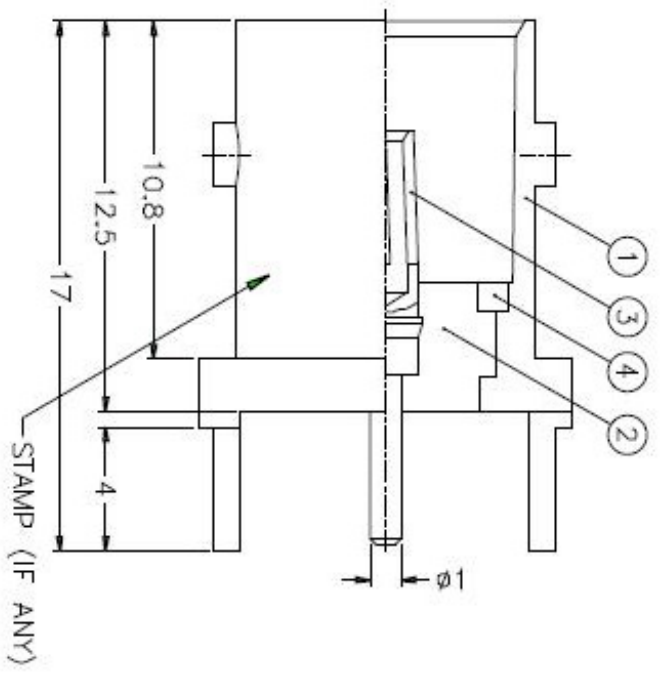


|                                  |      |
|----------------------------------|------|
| REVISIONS                        |      |
| ISS                              | ZONE |
| DESCRIPTION \ PBR REQUEST \ DATE |      |



NOTES: FINISH (PLATING THICKNESS IN MICRO-INCHES)

1. BRASS PER QQ-B-626
2. BRASS PER QQ-B-613
3. NICKEL PL 100 MIN. THICK OVER COPPER STRIKE
4. PHOSPHOR BRONZE PER QQ-B-750
5. GOLD PL 3 MIN. THICK OVER NICKEL PL. 100 MIN. THICK OVER COPPER STRIKE
6. PTFE MIL-P-19488

DIMENSIONS ARE IN MILLIMETERS  
UNLESS OTHERWISE SPECIFIED  
TOLERANCES

|           |        |
|-----------|--------|
| 0.5-6     | = ±0.2 |
| 6-30      | = ±0.4 |
| 30-120    | = ±0.6 |
| 120-315   | = ±1   |
| 315-1000  | = ±1.6 |
| 1000-2000 | = ±2.4 |

PART NO. B6251F1-NT3G-75

|          |      |
|----------|------|
| APPROVED | DATE |
| CHECKED  | DATE |
| DRAWN    | DATE |

TITLE  
**Amphenol**  
BNC P.C. MOUNT RECEIPT JACK

| NO. | DESCRIPTION | MATERIAL | FINISH  | QTY | DRAWING NO. |
|-----|-------------|----------|---------|-----|-------------|
| 1   | LOCK RING   | NOTE 2   | NOTE 3  | 1   | LR-79/62X08 |
| 2   | CONTACT PIN | NOTE 4   | NOTE 5  | 1   | B7702-3     |
| 3   | INSULATOR   | NOTE 6   | NATURAL | 1   | B7702-2T-75 |
| 4   | BODY        | NOTE 1   | NOTE 3  | 1   | B7702-1-B   |

SCALE 4/1

ISSUE A

FILE NO.  
DRAWING NO. KU-B6251F1-NT3G-75  
ITEM NO.