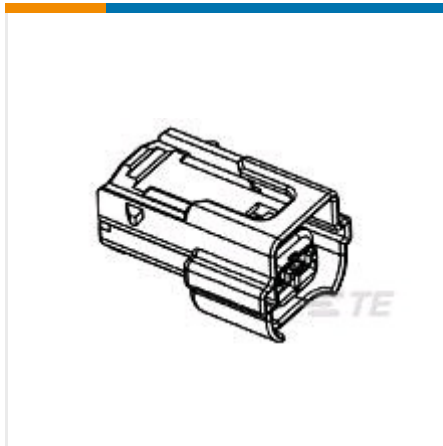




CONNECTORS

AUTOMOTIVE, TRUCK, BUS, & OFF-ROAD HOUSINGS



✓ Active

TE CONNECTIVITY (TE)

JPT INJECTOR PLUG 2P ASSY

Junior Power Timer , Timer Connector System

936139-1

TE Internal Number: 936139-1

EU RoHS Compliant

EU ELV Compliant

Connector Style Housing for female terminals

Number of Positions 2

Centerline (Pitch) 5 mm [.197 in]

Sealable Yes

Hybrid Connector No

[↓](#) **PRODUCT DRAWING**
English

[↓](#) **3D PDF**

DOCUMENTATION

Product Drawings

JPT INJECTOR PLUG ASS'Y

PDF (TIFF AVAILABLE)

English

CAD Files

Customer View Model

2D_DXF.ZIP

English

3D PDF

PDF

3D

Customer View Model

3D_IGS.ZIP

English

Customer View Model

3D_STP.ZIP

English

FEATURES



Please review product documents or [contact us](#) for the latest agency approval information.

Please Note: Use the Product Drawing for all design activity.

Product Type Features

Connector Style Housing for female terminals

Sealable Yes

Hybrid Connector No

Strain Relief No

Configuration Features

Number of Positions 2

Number of Rows 1

Body Features

Color Gray

Mechanical Attachment

Terminal Position Assurance No

Polarized Yes

Housing Features

Centerline (Pitch) 5 mm [.197 in]

Dimensions

Length 22 mm [.8661 in]

Width 19.3 mm [.7598 in]

Packaging Features

Packaging Method Bag

Other

Connector Position Assurance Capable No

Serviceable No

PRODUCT COMPLIANCE



Statement of Compliance

Statement of Compliance

PDF
