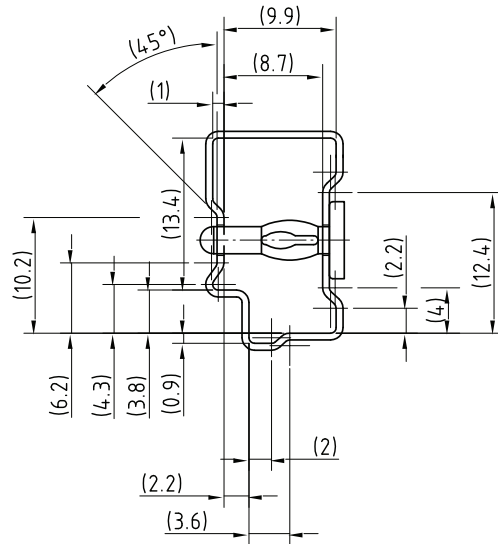
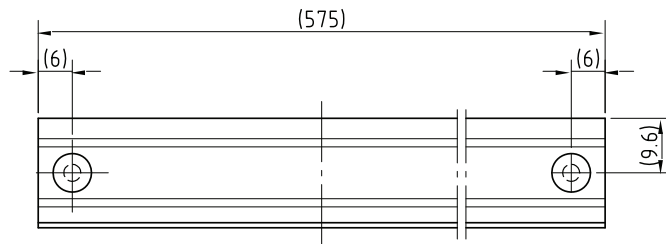


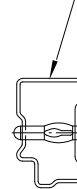
PACKAGING DIMENSIONS in millimeters



Wanddicke/wall thickness: 0.6
Bohrungen durchgehend
holes on both sides



Druck / Printing for tubes
1.400-5548.0-3 Version 1

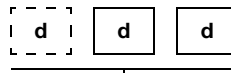


1:1

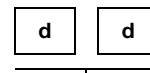
Drawing-No.: 9.700-5211.0-4
Rev. 10; Date: 20.11.03

20260-1

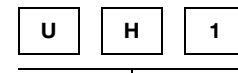
ORDERING INFORMATION



Product series
(2 or 3 digits)



Frequency



Holder type

Note

- d = "digit", please consult the list of available series on the previous page to create a valid part number

Example: TSOP14838UH1

PACKING QUANTITY

- 72 pieces per tube
- 33 tubes per carton

Vishay offers plastic and metal holder which have different characteristics:

- Plastic Pros: nearly invisible behind the bezel
- Plastic Cons: cannot be reflow soldered, wave soldering deforms the hooks (visual issue only, the part is secured by the leads after soldering)
- Metal Pros: may be reflow and wave soldered, improves EMI and RF rejection
- Metal Cons: appears shiny behind the bezel, will oxidize over time (visual issue only, the holder functionality is not impaired)