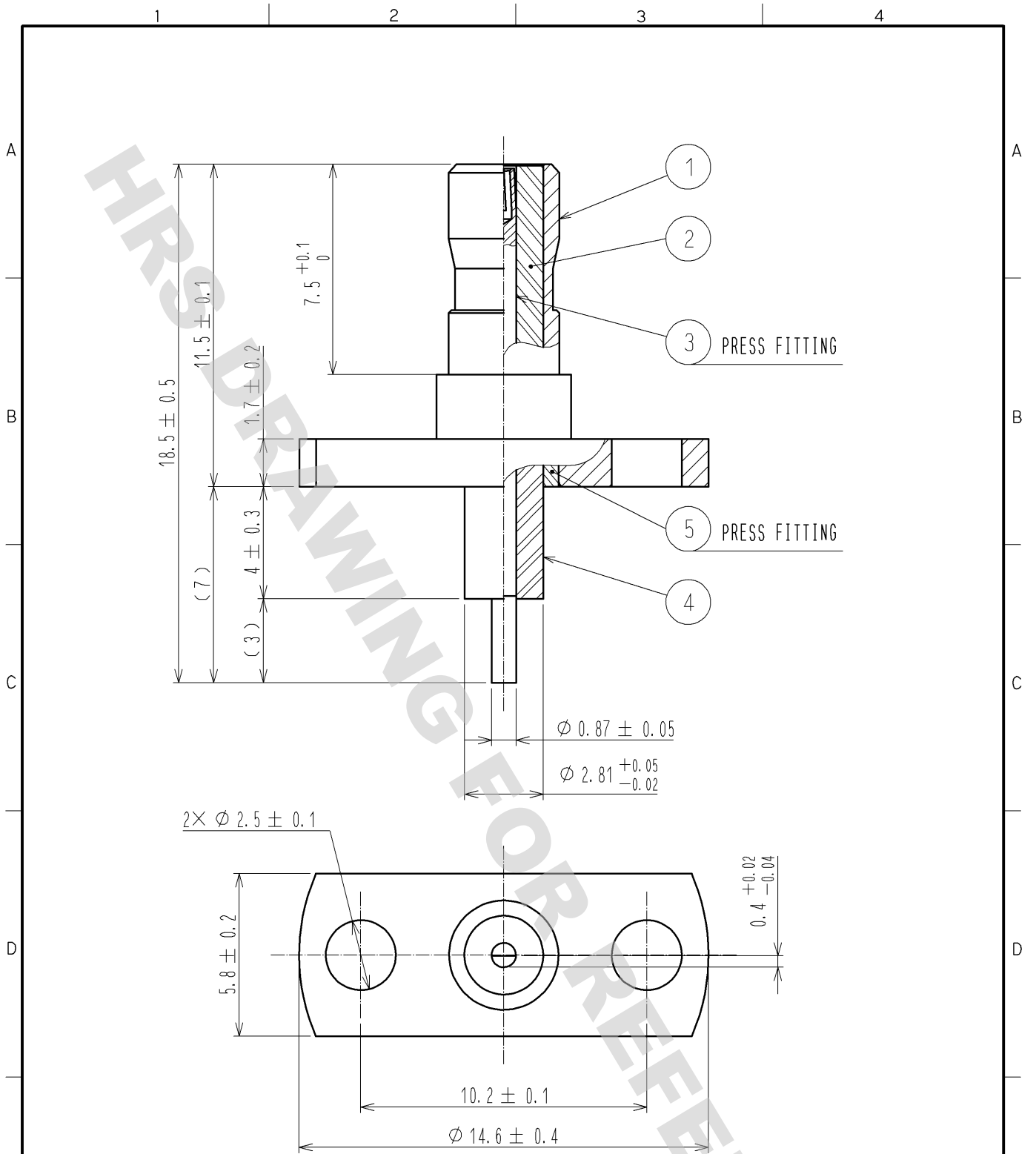


DRAWING FOR REFERENCE: This is subject to change without notice  
12/05/2013



RoHS COMPLIANT

NOTE . The angle of the flat area of the half cut of the contact is horizontally  $0 \pm 6^\circ$  .

3	BERYLLIUM COPPER	GOLD PLATING						
2	PTFE		5	BRASS	NICKEL PLATING			
1	BRASS	NICKEL PLATING	4	PTFE				
NO.	MATERIAL	FINISH .	REMARKS	NO.	MATERIAL	FINISH .	REMARKS	
UNITS		SCALE	COUNT	DESCRIPTION OF REVISIONS		DESIGNED	CHECKED	DATE
mm		5 : 1						
HIROSE ELECTRIC CO., LTD.		APPROVED	: MH. YAMANE	13. 07. 26	DRAWING NO.	EDC4-139766-40		
		CHECKED	: NK. NINOMIYA	13. 07. 26	PART NO.	POD-R-13(40)		
		DESIGNED	: YI. FUNADA	13. 07. 23	CODE NO.	CL327-0191-4-40		
		DRAWN	: YI. FUNADA	13. 07. 23				1/1