

ASSP

CMOS

20 MHz 10-bit A/D Converter

MB40C360

■ DESCRIPTION

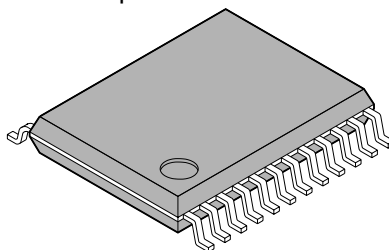
MB40C360 is a high-speed A/D converter using a fast CMOS technology.

■ FEATURES

- Resolution : 10 bits
- Differential linearity error : ± 1.0 LSB (max.)
- Maximum conversion rate : 20 MSPS (min.)
- Supply voltage : Single +3.0 V
- Digital in/output voltage : 3 V CMOS level (tristate)
- Analog input voltage range : 0 V to AV_{DD} (1.5 V to 2.1 V_{p-p})
- Analog input capacitance : 18 pF (standard)
- Dissipation power : 40 mW
- Additional capabilities : Power saving function
tristate output
- Package : 24-pin SSOP

■ PACKAGE

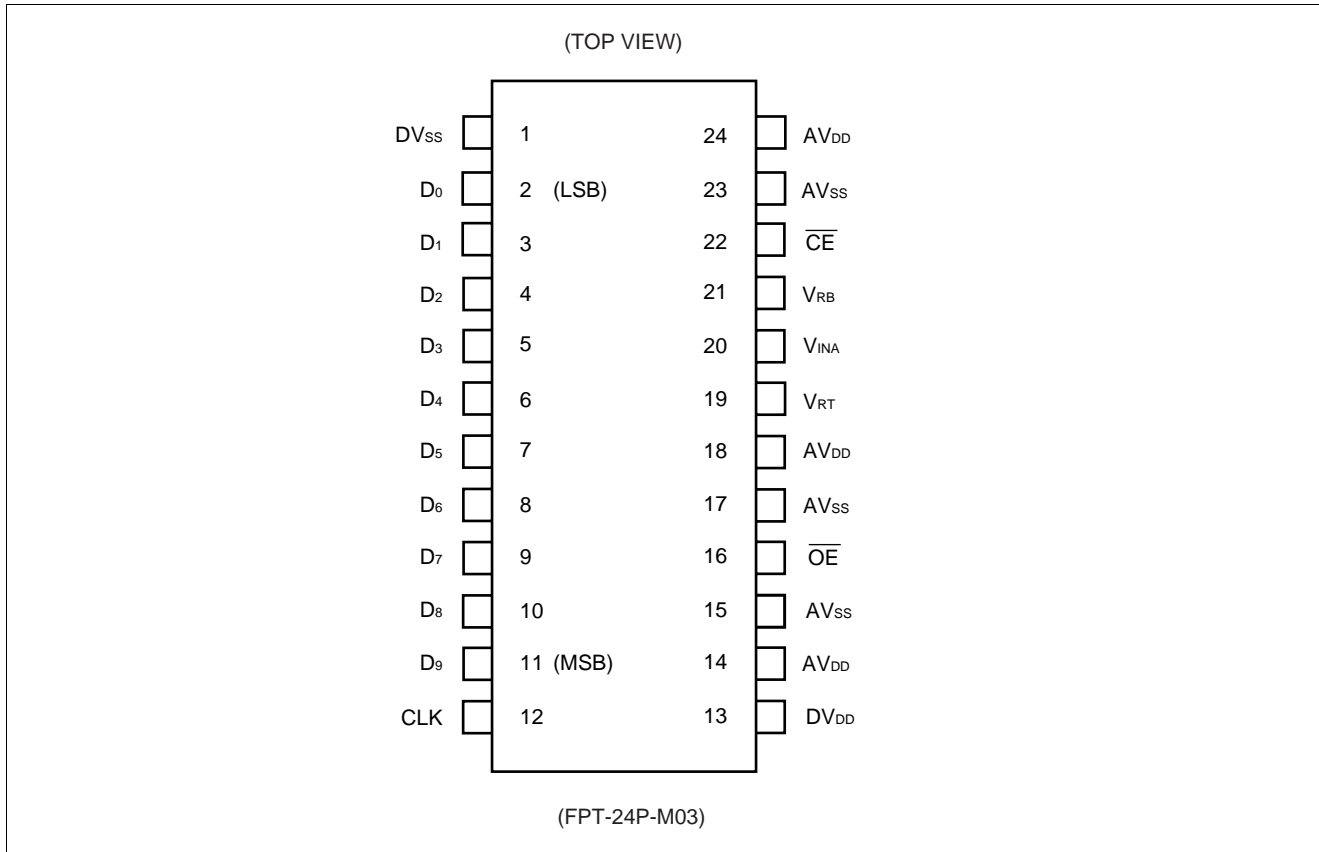
24-pin Plastic SSOP



(FPT-24P-M03)

MB40C360

■ PIN ASSIGNMENT



■ PIN DESCRIPTION

Pin No.	Symbol	Description
14, 18, 24	AV _{DD}	Analog power supply (+3.0 V)
13	DV _{DD}	Digital power supply (+3.0 V)
15, 17, 23	AV _{SS}	Analog power supply ground pin (0 V)
1	DV _{SS}	Digital power supply ground pin (0 V)
2, 3, 4, 5, 6 7, 8, 9, 10, 11	D ₀ to D ₉	Digital output pin (D ₀ : LSB, D ₉ : MSB)
12	CLK	Clock input pin (3 V CMOS input)
20	V _{INA}	A/D converter analog input pin Input range is V _{RB} to V _{RT} (0 V to 2.0 V: standard)
19	V _{RT}	Reference voltage input pin on top side (2.0 V: standard)
21	V _{RB}	Reference voltage input pin on bottom side (0 V: standard)
22	\overline{CE}	Chip enable input pin Input high signal brings standby state. Input low signal brings operation state.
16	\overline{OE}	Output enable input pin Input high signal readies digital output high-impedance state. Input low signal induces digital output state.

Note: The values in parentheses are standard.

■ ABSOLUTE MAXIMUM RATINGS

Parameter	Symbol	Rating		Unit
		Min.	Max.	
Power supply voltage	AV_{DD}, DV_{DD}	-0.3	+4.0	V
Input voltage (analog/digital)	CLK, $V_{INA}, V_{RT}, V_{RB},$ CE, OE	-0.3	$AV_{DD} + 0.3^*$	V
Output voltage	D ₀ to D ₉	-0.3	$DV_{DD} + 0.3^*$	V
Storage temperature	T _{stg}	-55	+125	°C

* : Don't exceed 4.0V

WARNING: Semiconductor devices can be permanently damaged by application of stress (voltage, current, temperature, etc.) in excess of absolute maximum ratings. Do not exceed these ratings.

■ RECOMMENDED OPERATING CONDITIONS

Parameter	Symbol	Value			Unit
		Min.	Typ.	Max.	
Power supply voltage	AV_{DD}	2.70	3.00	3.60	V
	DV_{DD}	2.70	3.00	3.60	V
	$ AV_{DD} - DV_{DD} $	0.0	—	0.2	V
Analog input voltage	V_{INA}	V_{RB}	—	V_{RT}	V
Analog reference voltage: T	V_{RT}	1.5	2.0	AV_{DD}	V
Analog reference voltage: B	V_{RB}	0.0	—	$AV_{DD} - 1.5$	V
Analog reference voltage range	$V_{RT} - V_{RB}$	1.5	2.0	2.1	V
Digital "H" level input voltage	V_{IHd}	2.3	—	DV_{DD}	V
Digital "L" level input voltage	V_{ILd}	0	—	0.5	V
Digital input current	I _{Id}	—	—	5	μA
Clock frequency	f _{CLK}	0.5	—	20	MHz
"H" level minimum clock pulse width	t _w ⁺	20.0	—	—	ns
"L" level minimum clock pulse width	t _w ⁻	20.0	—	—	ns
Operating temperature range	T _a	-20	—	+70	°C

WARNING: The recommended operating conditions are required in order to ensure the normal operation of the semiconductor device. All of the device's electrical characteristics are warranted when the device is operated within these ranges.

Always use semiconductor devices within their recommended operating condition ranges. Operation outside these ranges may adversely affect reliability and could result in device failure.

No warranty is made with respect to uses, operating conditions, or combinations not represented on the data sheet. Users considering application outside the listed conditions are advised to contact their FUJITSU representatives beforehand.

MB40C360

■ ELECTRICAL CHARACTERISTICS

• Analog Section

($V_{DD} = 2.7\text{ V to }3.6\text{ V}$, $DV_{DD} = 2.7\text{ V to }3.6\text{ V}$, $V_{RT} = 2.0\text{ V}$, $V_{RB} = 0\text{ V}$, $T_a = -20^\circ\text{C to }+70^\circ\text{C}$)

Parameter	Symbol	Value			Unit
		Min.	Typ.	Max.	
Resolution	RES	—	10	—	bit
Linearity error	LE	—	±1.00	±2.00	LSB
Differential linearity error					
DC precision					
Analog input capacity	C_{INA}	—	18	—	pF
Analog “H” level input current	I_{IHA}^{*1}	—	200	—	μA
Analog “L” level input current	I_{ILA}^{*2}	—	−250	—	μA
Analog input bandwidth (−0.5 dB)	f_{BW}	—	20	—	MHz
Reference current (BOTTOM side)	I_{RB}	3.0	6.0	10.0	mA
Analog supply current	A_{DD}	—	13.0	40.0	mA
Digital supply current	D_{DD}	—	1.5	4.0	mA
Standby supply current	I_{STBA}	—	100	—	μA
	I_{STBD}	—	5	—	μA

*1: $V_{INA} = 2.0\text{ V}$

*2: $V_{INA} = 0.0\text{ V}$

• Digital Section

($V_{DD} = 2.7\text{ V to }3.6\text{ V}$, $DV_{DD} = 2.7\text{ V to }3.6\text{ V}$, $V_{RT} = 2.0\text{ V}$, $V_{RB} = 0\text{ V}$, $T_a = -20^\circ\text{C to }+70^\circ\text{C}$)

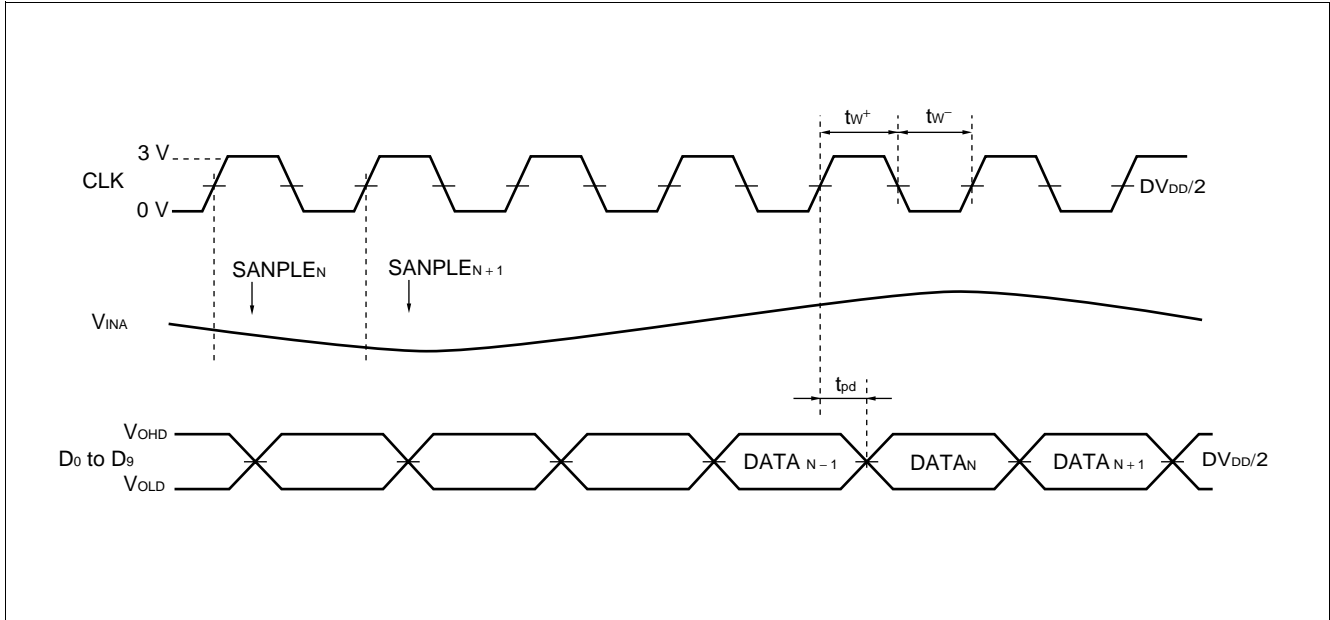
Parameter	Symbol	Value			Unit
		Min.	Typ.	Max.	
Digital “H” level output voltage	V_{OHD}	2.5	—	DV_{DD}	V
Digital “L” level output voltage	V_{OLD}	0	—	0.4	V
Digital “H” level output current	I_{OHD}	−400	—	—	μA
Digital “L” level output current	I_{OLD}	—	—	1.6	mA

• Switching Section

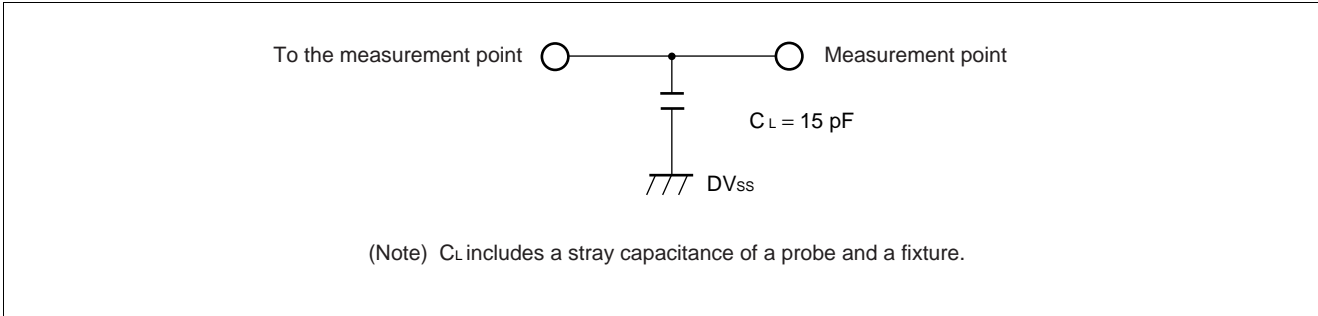
($V_{DD} = 2.7\text{ V to }3.6\text{ V}$, $DV_{DD} = 2.7\text{ V to }3.6\text{ V}$, $V_{RT} = 2.0\text{ V}$, $V_{RB} = 0\text{ V}$, $T_a = -20^\circ\text{C to }+70^\circ\text{C}$)

Parameter	Symbol	Value			Unit
		Min.	Typ.	Max.	
Maximum conversion rate	f_s	20	—	—	MSPS
Digital output delay time	t_{pd}	1	6	15	ns

■ DIAGRAM



■ DIGITAL OUTPUT BUFFER LOAD CIRCUIT



MB40C360

■ USAGE PRECAUTIONS

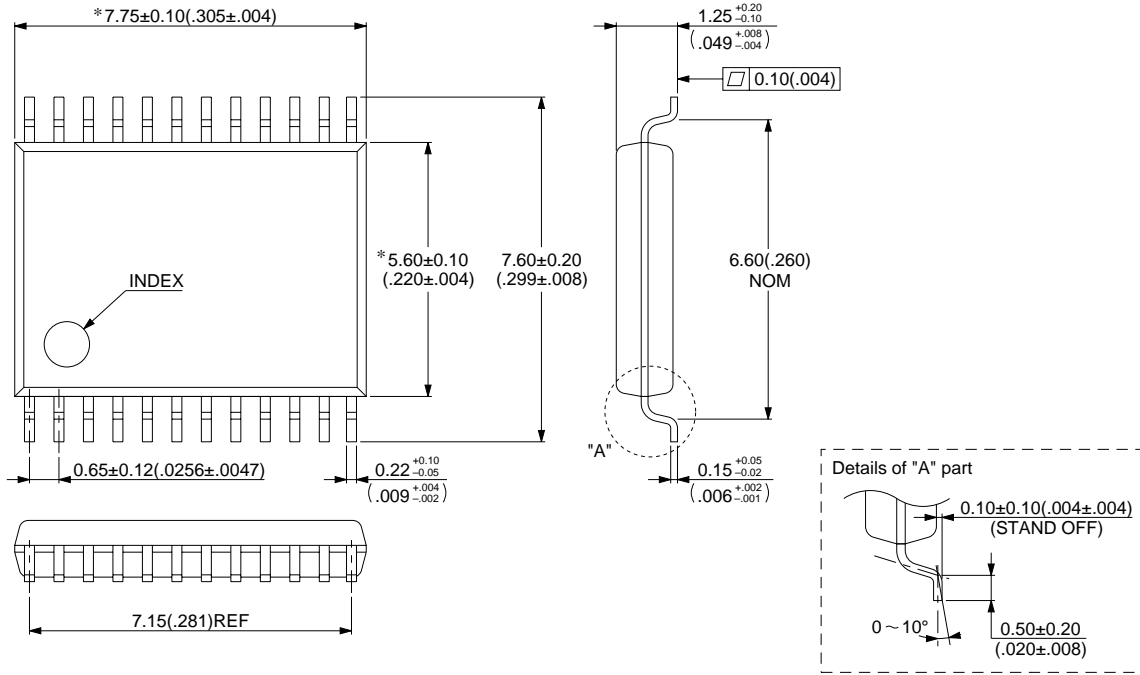
- Be sure to ground the pins of AV_{DD} , DV_{DD} , V_{RT} and V_{RB} via high-frequency capacitor. Place the high-frequency capacitor as close as possible to the pin.
- You can minimize the power supply current dissipation due to the internal logic indetermination by making the clock to 4CLK or higher.

■ ORDERING INFORMATION

Part number	Package	Remark
MB40C360PFV	24-pin Plastic SSOP (FPT-24P-M03)	

■ PACKAGE DIMENSION

24-pin Plastic SSOP
(FPT-24P-M03)



© 1994 FUJITSU LIMITED F24018S-2C-2

Dimensions in mm (inches).

FUJITSU LIMITED

All Rights Reserved.

The contents of this document are subject to change without notice. Customers are advised to consult with FUJITSU sales representatives before ordering.

The information and circuit diagrams in this document are presented as examples of semiconductor device applications, and are not intended to be incorporated in devices for actual use. Also, FUJITSU is unable to assume responsibility for infringement of any patent rights or other rights of third parties arising from the use of this information or circuit diagrams.

The products described in this document are designed, developed and manufactured as contemplated for general use, including without limitation, ordinary industrial use, general office use, personal use, and household use, but are not designed, developed and manufactured as contemplated (1) for use accompanying fatal risks or dangers that, unless extremely high safety is secured, could have a serious effect to the public, and could lead directly to death, personal injury, severe physical damage or other loss (i.e., nuclear reaction control in nuclear facility, aircraft flight control, air traffic control, mass transport control, medical life support system, missile launch control in weapon system), or (2) for use requiring extremely high reliability (i.e., submersible repeater and artificial satellite).

Please note that Fujitsu will not be liable against you and/or any third party for any claims or damages arising in connection with above-mentioned uses of the products.

Any semiconductor devices have an inherent chance of failure. You must protect against injury, damage or loss from such failures by incorporating safety design measures into your facility and equipment such as redundancy, fire protection, and prevention of over-current levels and other abnormal operating conditions.

If any products described in this document represent goods or technologies subject to certain restrictions on export under the Foreign Exchange and Foreign Trade Law of Japan, the prior authorization by Japanese government will be required for export of those products from Japan.