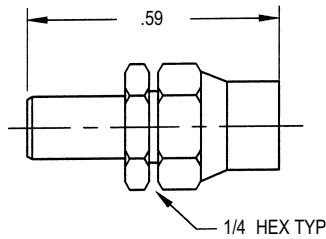


SLIDE - ON: Clamp Flexible Cable

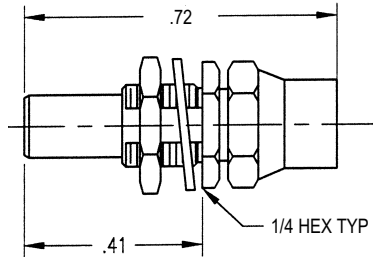
Straight Jack Captive Contact



Part Number	Cable
521-700-0360H	RG-178
521-700-0630H	RG-316
521-700-0631H	RG-316 double shielded

- See page 99 for cable assembly procedures: 7-03
- Part number shown is for gold plated.
- For nickel plate change suffix to "N".

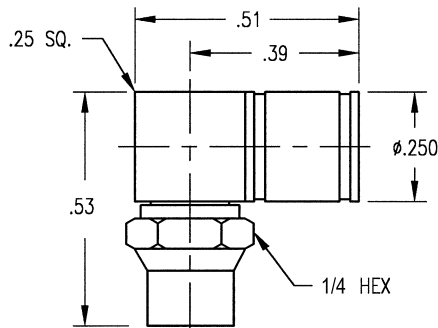
Straight Bulkhead Jack Captive Contact



Part Number	Cable	Mounting Hole
521-780-0360H	RG-178	No. 080
521-780-0630H	RG-316	No. 080
521-780-0631H	RG-316 double shielded	No. 080

- See page 99 for cable assembly procedures: 7-03
- See page 83 for mounting hole layout.
- Part number shown is for gold plated.
- For nickel plate change suffix to "N".

Right Angle Plug

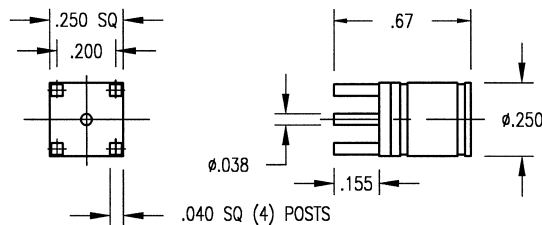


Part Number	Cable
522-700-0360H	RG-178
522-700-0630H	RG-316
522-700-0631H	RG-316 double shielded

- See page 100 for cable assembly procedures: 7-04
- Part number shown is for gold plated.
- For nickel plate change suffix to "N".

SLIDE - ON: Printed Circuit & Bulkhead Receptacles

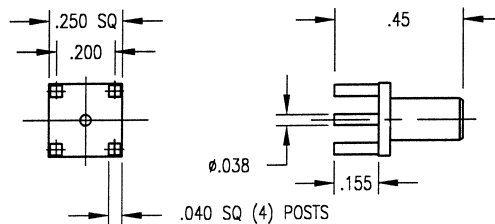
Straight Plug



Part Number	Mounting Hole
520-060-0040H	No. 060 A

- See page 83 for mounting hole layout.
- Part number shown is for gold plated.
- For nickel plate change suffix to "N".

Straight Jack



Part Number	Mounting Hole
521-060-0040H	No. 060 B

- See page 83 for mounting hole layout.
- Part number shown is for gold plated.
- For nickel plate change suffix to "N".

Note: Dimensions shown in inches.