

24

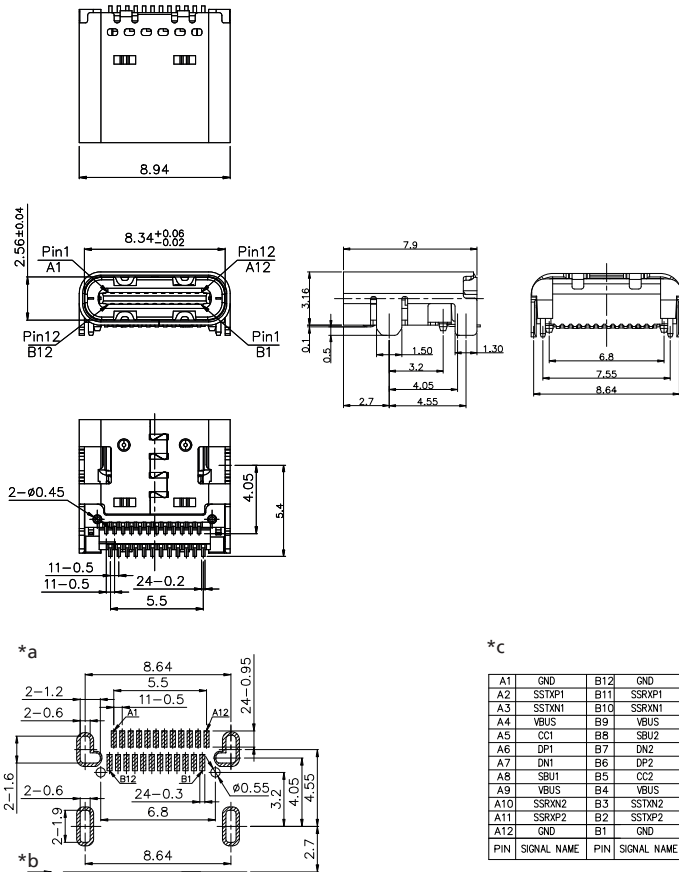
2436 01

USB and IEEE 1394 connectors



USB 3.1 chassis socket type C, 24 poles, angular version,
for printed circuit boards, surface mounting technology
(SMT)

24 2436 01



- *a printed circuit board layout, components side view
- *b connector front edge
- *c pin assignment

Environmental conditions

Temperature range -25 °C/+85 °C

Materials

Insulating body PA, V-0 according to UL94
 Contact spring Cu alloy, gold-plated
 Housing steel, nickel-plated

Mechanical data

Mating cycles 10000
 Insertion force 5–20 N
 Withdrawal force 8–20 N

Electrical data (at T_{amb} 20 °C)

Contact resistance 60 mΩ
 Rated current 5 A
 Rated voltage 5 V
 Rated impulse voltage 100 V/60 s
 Insulation resistance ≥ 100 MΩ

*c

A1	GND	B12	GND
A2	SSTXP1	B11	SSRXP1
A3	SSTXN1	B10	SSRXN1
A4	VBUS	B9	VBUS
A5	CC1	B8	SBU2
A6	DP1	B7	DN2
A7	DN1	B6	DP2
A8	SBU1	B5	CC2
A9	VBUS	B4	VBUS
A10	SSRXN2	B3	SSTXN2
A11	SSRXP2	B2	SSTXP2
A12	GND	B1	GND
PIN	SIGNAL NAME	PIN	SIGNAL NAME

Associated products

Counterparts
 ↗ 2483 01

24

2436 01

Designation	Pole Number	PU (Pieces)	MDQ (Pieces)
2436 01	24	900	900

Packaging:

on reel