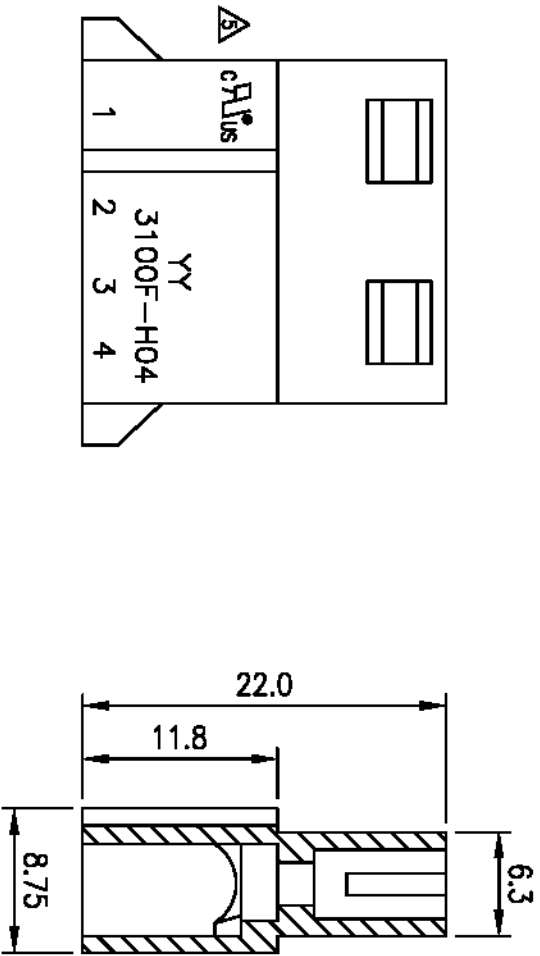
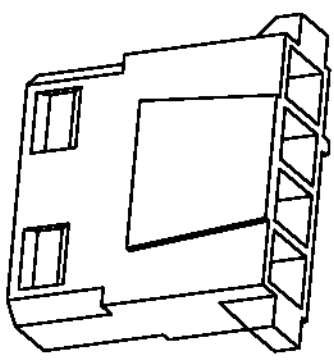
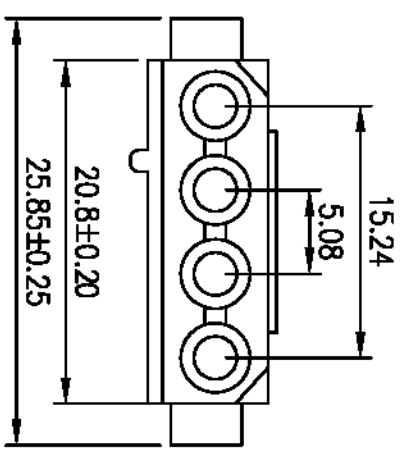


5.08mm (.200") Pitch Housing

YAK US E182481



Features:

- * Available in 4 Circuits
- * Material: Nylon 66 UL94V-2
- * Accepts YY-3100-T Crimp Terminal
- * Mates with YY-3200M-H04 Series Housing
- YY-3100-WD4ST & YY-3100-WD4RT Series Wafer

Specifications:

- * Pitch between Poles 5.08mm
- * Rated Voltage 350V AC,DC
- * Rated Current 5A
- * Withstand Voltage 1,500V AC/minute
- * Insulation Resistance 1,000M Ohms/min
- * Temperature Range -25°C~+105°C

Ordering Information:

YY-3100F-H04X-XX

<ul style="list-style-type: none"> △ CNature A:Black B:Brown C:Red D:Orange E:Yellow U: 壹光 UV: 反壹光 □Mark N:No Mark Pin:04Pin 	<ul style="list-style-type: none"> F:Green G:Blue H:Purple I:Grey J:White K:Pink
---	--

EDITION	DATE	MODIFY	VIEW	DRAW BY	AUDITING	APPROVAL	DATE	DWG NO	TOLERANCE
A3	2003.11.05	CHANGE		GUAN	ALVIN	Jessica	2004.12.29	C5081H 014-A5	.00 ±0.25
A4	2004.10.27	CHANGE						YY-3100F-H04X-XX	.00 ±0.15
A5	2004.12.29	CHANGE							.000 ±0.05

YAK 毅耀實業股份有限公司
YOUNG YAK ENTERPRISE CO.,LTD.

TEL:886-2-2999-9629
FAX:886-2-2999-0575

RoHS compliant

5.08mm(.200")Pitch Wafer

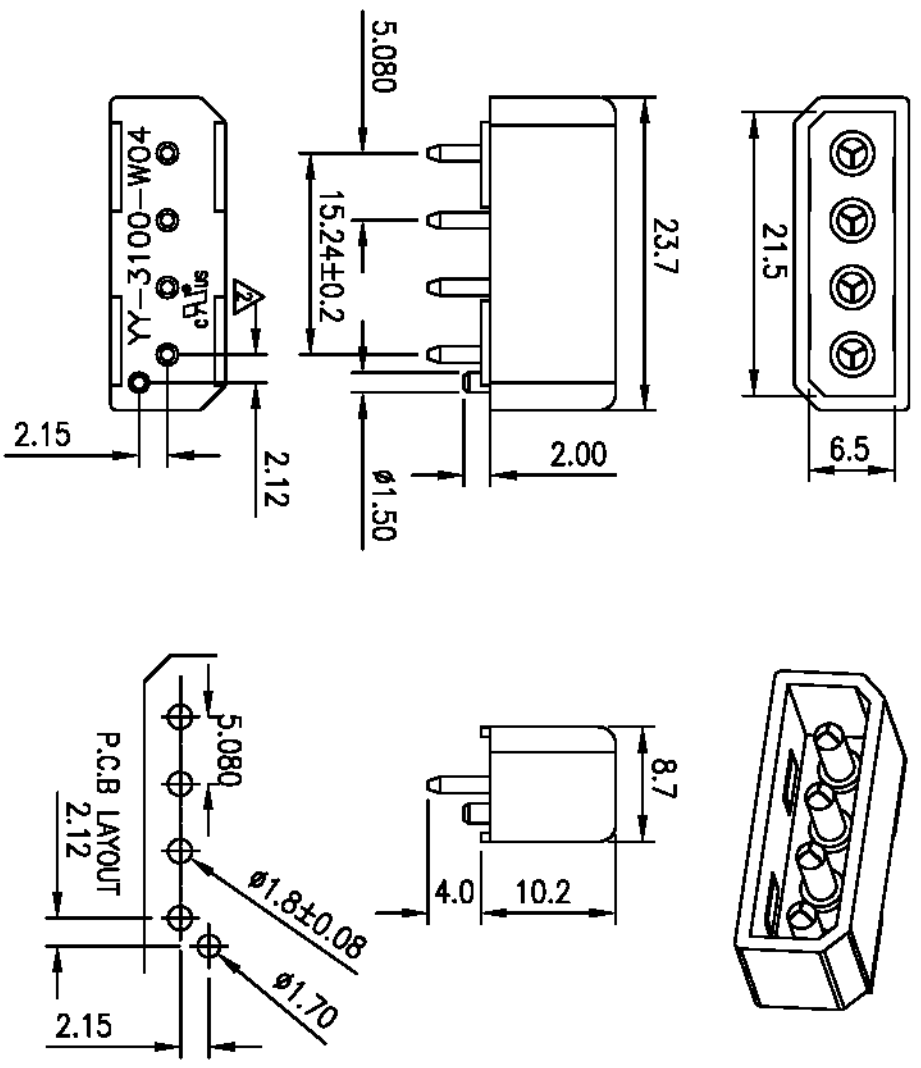
YIUS E182481

Features:

- * Material: Nylon 66 UL94V-2
- * Mates with YY-3300-H04 or YY-3100-H04 crimp Housing
- * Pin Material: Brass/Tin-Plated
- * Two P.C. tail lengths

Specification:

- * Pitch between poles 5.08mm
- * Rated Voltage 250V AC,DC
- * Rated Current 5A AC,DC
- * Withstand Voltage 1500V AC/minute
- * Insulation Resistance 1000M Ohms/min
- * Temperature Range -25°C~+105°C



Ordering information:

YY-3100-W04SXFXX-XX

- Nature
- :Brown
- :Black
- :Red
- :Orange
- :Yellow
- :Orange Red
- :Yellow Green
- :Green
- :Blue
- :Purple
- :Gray
- :White
- :Pink
- :Color
- :Nature
- :蓝光
- :反蓝光
- :空心PIN
- :1. 空心PIN

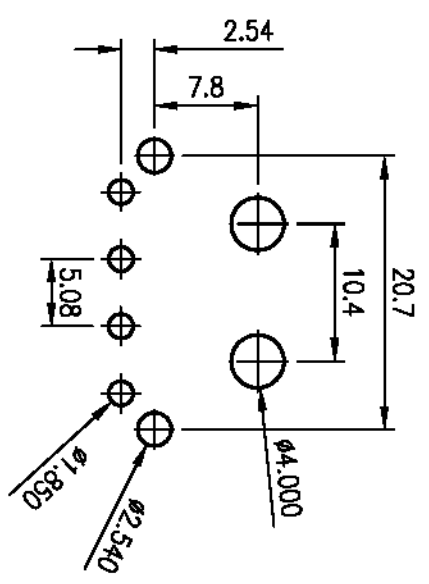
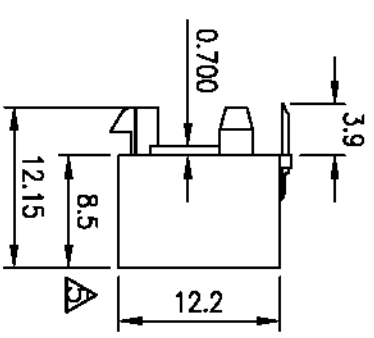
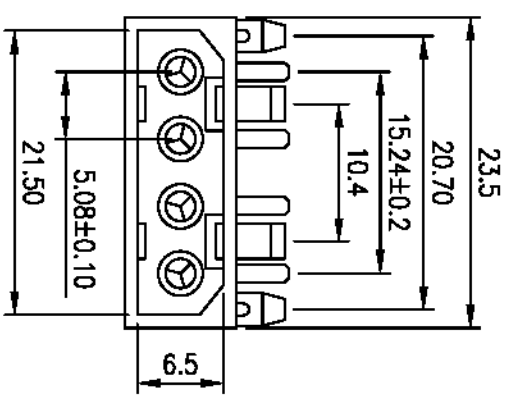
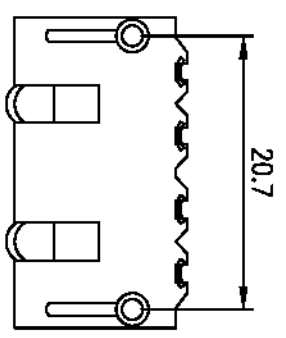
EDITION	DATE	MODIFY	VIEW	DRAW BY	AUDITING	APPROVAL	DATE	DWG NO	TOLERANCE
A1	2004.10.29	CHANGE		GUAN	ALVIN	Jessica	2005.03.03	C5081WS 014-A3	0 ±0.25
A2	2004.12.29	CHANGE							±0.15
A3	2005.03.03	CHANGE							±0.05

YOUNG YAK ENTERPRISE CO.,LTD.
TEL:886-2-2999-9629
FAX:886-2-2999-0575

RoHS compliant

5.08mm (.200") Pitch Wafer

YAK US E182481



Features:

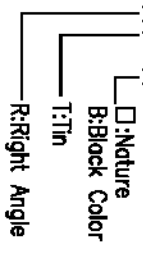
- * Material: Nylon 66 UL94V-2
- * Mates with YY-3300-H04 or YY-3100-H04 crimp Housing
- * Pin Material: Brass/Tin-Plated
- * Two P.C tail lengths

Specification:

- * Pitch between pales 5.08 mm
- * Rated Voltage 250V AC/DC
- * Rated Current 5A
- * Withstand Voltage 1500V AC/minute
- * Insulation Resistance 1000M ohms/min
- * Temperature Range -25°C~+105°C

Ordering information:

YY-3100-W04RT-X



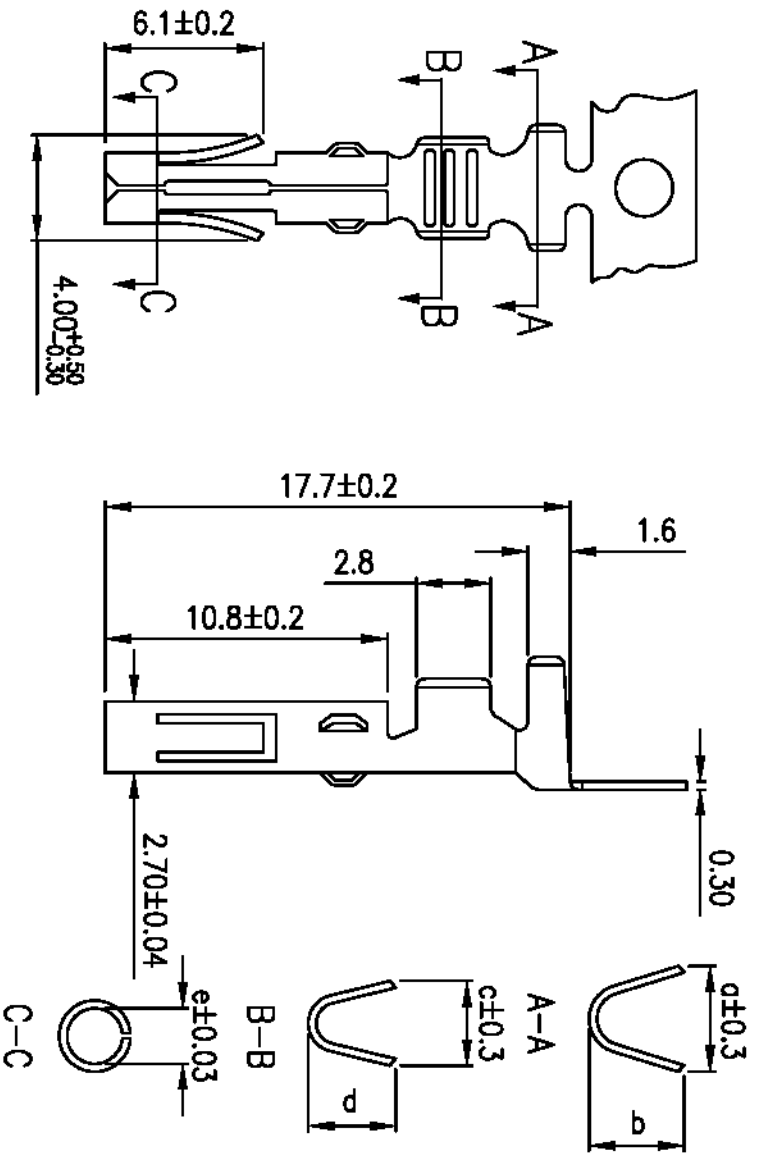
EDITION	DATE	MODIFY	VIEW	DRAW BY	AUDITING	APPROVAL	DATE	DWG NO	TOLERANCE
A3	2002.11.07	Modify Dimension		ALVIN	ALVIN	Jessica	2005.01.28	C5081WR 014-A4	.0
A4	2003.02.25	Modify Dimension		ALVIN	ALVIN	Jessica	2005.01.28	YY-3100-W04RT-X	±0.15
A5	2005.01.28	Modify Dimension		ALVIN	ALVIN	Jessica	2005.01.28	YY-3100-W04RT-X	±0.05



毅耀實業股份有限公司
YOUNG YAK ENTERPRISE CO.,LTD.
TEL:886-2-2999-9629
FAX:886-2-2999-0575

5.08mm (.200") Pitch Crimp Terminal

YAK **YJ** US E182481



Features:

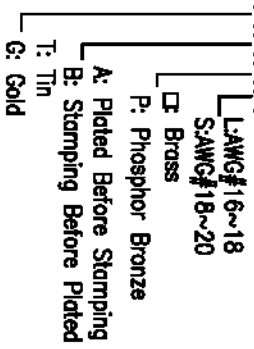
- * Used in YR-3100-HXX Series Housing
- * Material : Brass & Phosphor Bronze
- * Finish : Tin-Plated
- * Thickness: 0.30mm

Specification:

- * Pitch Between Poles 5.08mm
- * Rated Voltage 350V AC,DC
- * Rated Current 7A
- * Withstand Voltage 1,500V AC/minute
- * Insulation Resistance 1,000M Ohms/Min
- * Temperature Range -25°C~+105°C

Ordering Information:

YY-3100-TXXXX



TYPE	Wire Range	Wire Range					Insulation O.D.(mm)	Qty/reel
		d	b	c	d	e		
L	AWG #16~18	4.0	3.6	3.2	3.3	2.00	2.8~3.1	5,000PCS
S	AWG #18~20	3.8	3.3	2.3	2.3	2.00	2.55~2.8	5,000PCS

EDITION	DATE	MODIFY	VIEW	DRAW BY	AUDITING	APPROVAL	DATE	DWG NO	TOLERANCE
A0	2002.07.11	DRAWING		ZH. Ouyang	JEFF	Jessica	2002.07.11	C5081T 012-A0 YY-3100-TXXXX	.0 .00 .000

YAK 毅耀實業股份有限公司
 YOUNG YAK ENTERPRISE CO.,LTD.
 TEL:886-2-2999-9629
 FAX:886-2-2999-0575

