

Customer Information Sheet

DRAWING No.: ~~S530-XX~~ / S531-XX

SHEET 3 OF 3

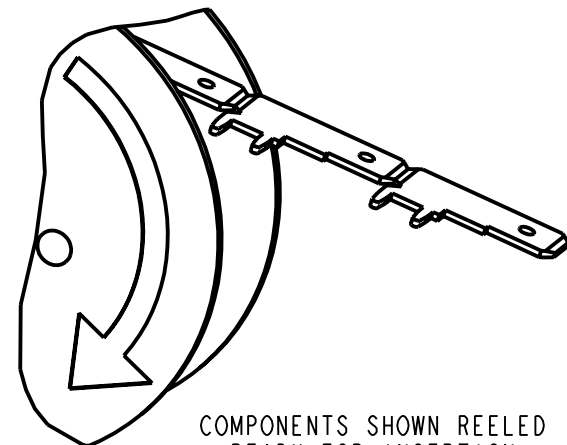
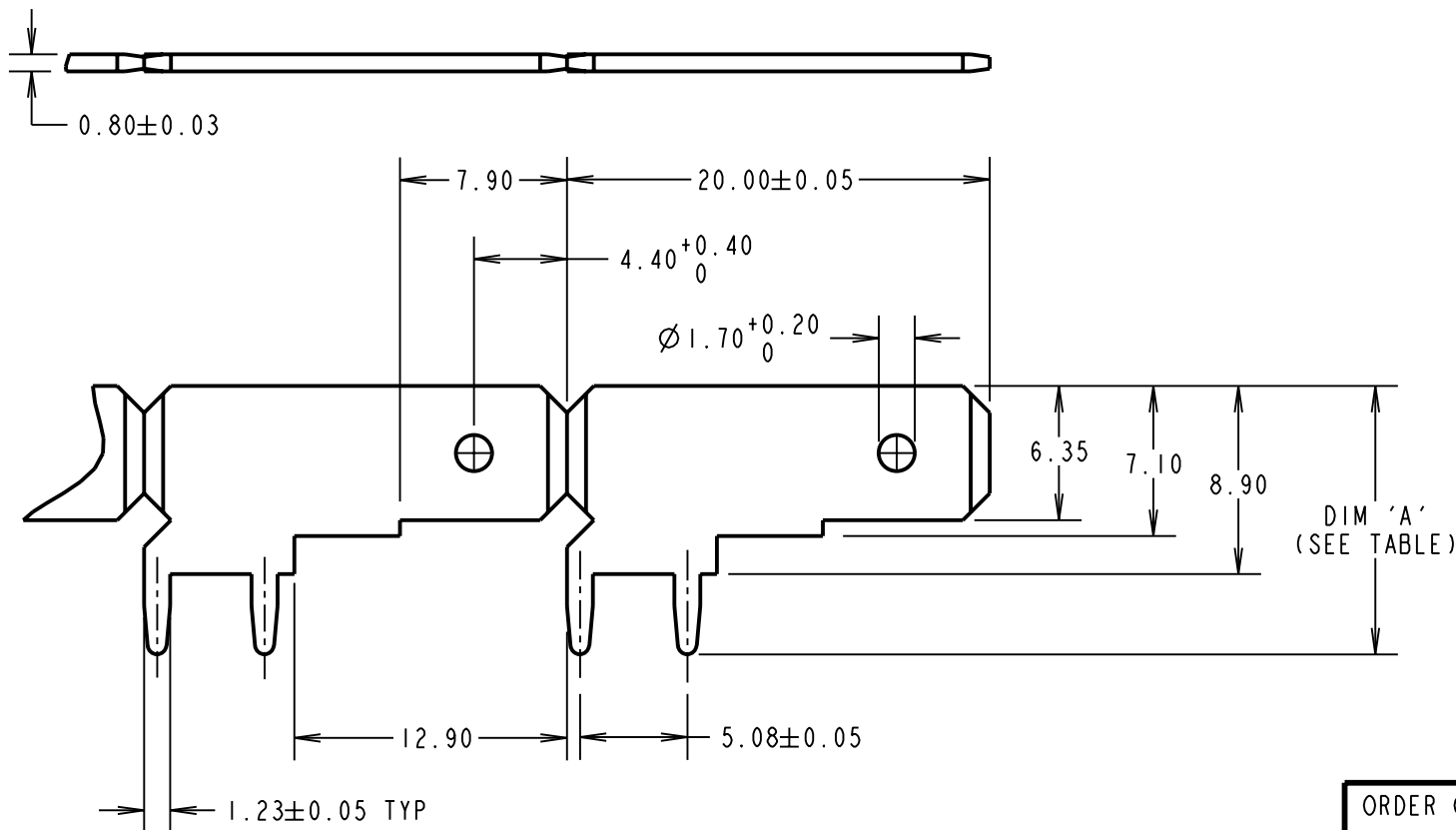
IF IN DOUBT - ASK

©

NOT TO SCALE

THIRD ANGLE PROJECTION

ALL DIMENSIONS IN mm



COMPONENTS SHOWN REELED
READY FOR INSERTION

PART No.	DIM 'A'	PCB THICKNESS
S530-XX	11.90	1.60
S531-XX	12.70	2.40

ORDER CODE:

S5XX-XX

TYPE 30 OR 31
SEE TABLE

FINISH:

~~06 = 4µ TIN/LEAD~~
~~34 = 1µ TIN/LEAD~~
46 = 4µ 100% TIN

NOTES:

- QUANTITY OF TABS PER REEL = 2,500.
TOTAL WEIGHT PER REEL = 2.95kg (INCLUDING REEL)
- RECOMMENDED MOUNTING HOLE SIZE = $\varnothing 1.30 \pm 0.06$ mm.

CP	6	03.02.10	8128
NAME	ISS.	DATE	C/NOTE
APPROVED:		C. PENROSE	
CHECKED:		R. ADDE	
DRAWN:		M. G. PLESTED	
CUSTOMER REF.:			
ASSEMBLY DRG:			

HARWIN

HARWIN USA
TEL: 603 893 5376
FAX: 603 893 5396
mis@harwin.com

HARWIN Europe (UK)
TEL: 023 9231 4545
FAX: 023 9231 4590
mis@harwin.co.uk

HARWIN Asia
TEL: +65 6 779 4909
FAX: +65 6 779 3868
mis@harwin.com.sg

THIS DRAWING AND ANY INFORMATION OR DESCRIPTIVE MATTER SET OUT HEREON ARE CONFIDENTIAL AND COPYRIGHT PROPERTY OF THE HARWIN GROUP AND MUST NOT BE DISCLOSED, LOANED, COPIED OR USED FOR MANUFACTURING, TENDERING OR FOR ANY OTHER PURPOSE WITHOUT THEIR WRITTEN PERMISSION.

TOLERANCES

X. = ± 1 mm
X.X = ± 0.25 mm
X.XX = ± 0.10 mm
X.XXX = ± 0.01 mm
ANGLES = $\pm 5^\circ$
UNLESS STATED

MATERIAL:

BRASS CW508L TO BS EN 1652
(CuZn37 HARD)

FINISH: SEE ABOVE

S/AREA: mm²

TITLE:

6.35mm HORIZONTAL BLADE
REELED TAB TERMINAL

DRAWING NUMBER:

~~S530-XX~~ / S531-XX

SHT
3
OF
3