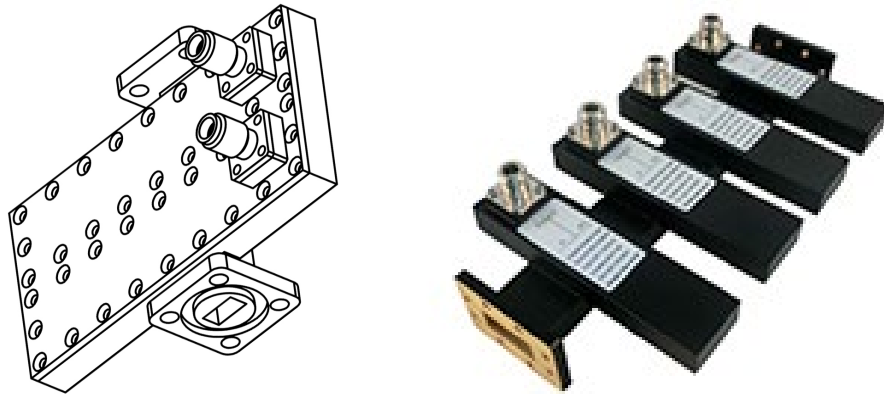


## Waveguide Crossguide Directional Coupler

Dolph Microwave manufactures Crossguide Directional Couplers covering a wide frequency range. Couplers are available in 3 or 4 port configuration. Standard coupling values are 20, 30,40, 50 and 60 dB, with minimum Directivity of 18 dB. The compactness of crossguide coupler suits many applications where space is at a premium and directivity is not the prime consideration. Models are available with combinations of waveguide and coaxial ports. Special multi-port crossguide couplers can be manufactured to suit customer's special requirements.



- **Technical Specification**

<b>WR28 Waveguide Dual Crossguide Directional Coupler</b>	
<b>Electrical Specifications</b>	
<b>Model</b>	DH-320WDLA+C352.92KMMC
Operating Frequency	33.0 - 38.0 GHz
Port 1,3 Coupling	35 ± 1 dB
Port 2,4 Coupling	35 ± 1 dB
Port 1,2 VSWR	≤1.08:1
Port 3,4 VSWR	≤1.25:1
Secondary Line VSWR	≤1.3:1
Average Power	500 W

Directivity	>20 dB
Flange	FBM320
Coupling Port	2.92-K
Material	Cu
Inside Finish	Conductive Oxidation / Silver Plating
Outside Finish	Anticorrosion Black Paint

