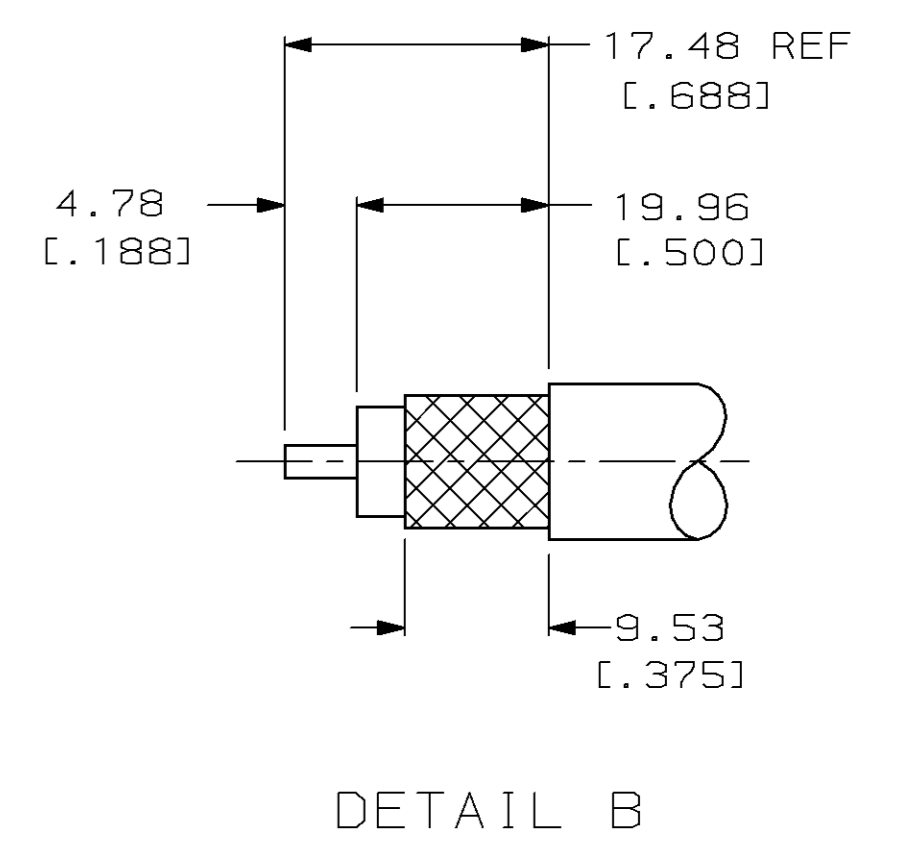
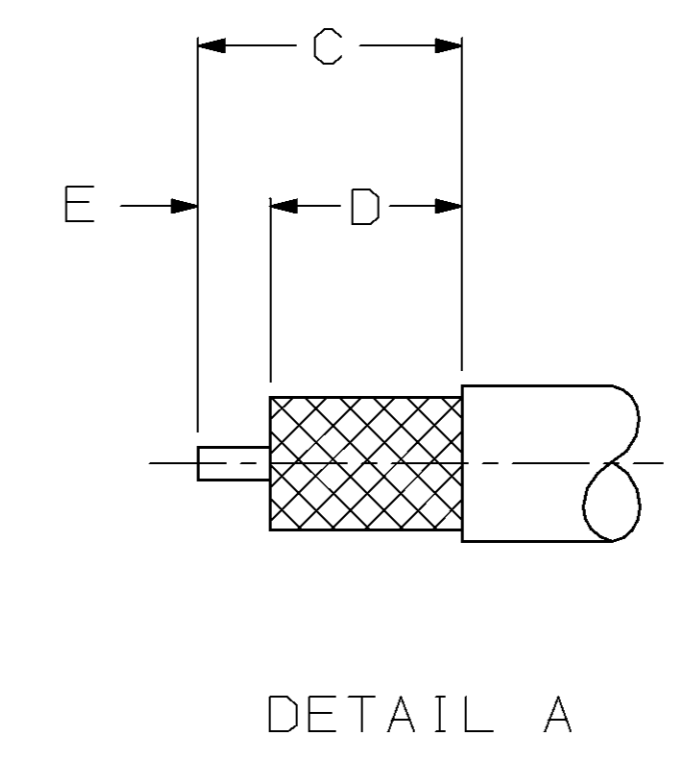
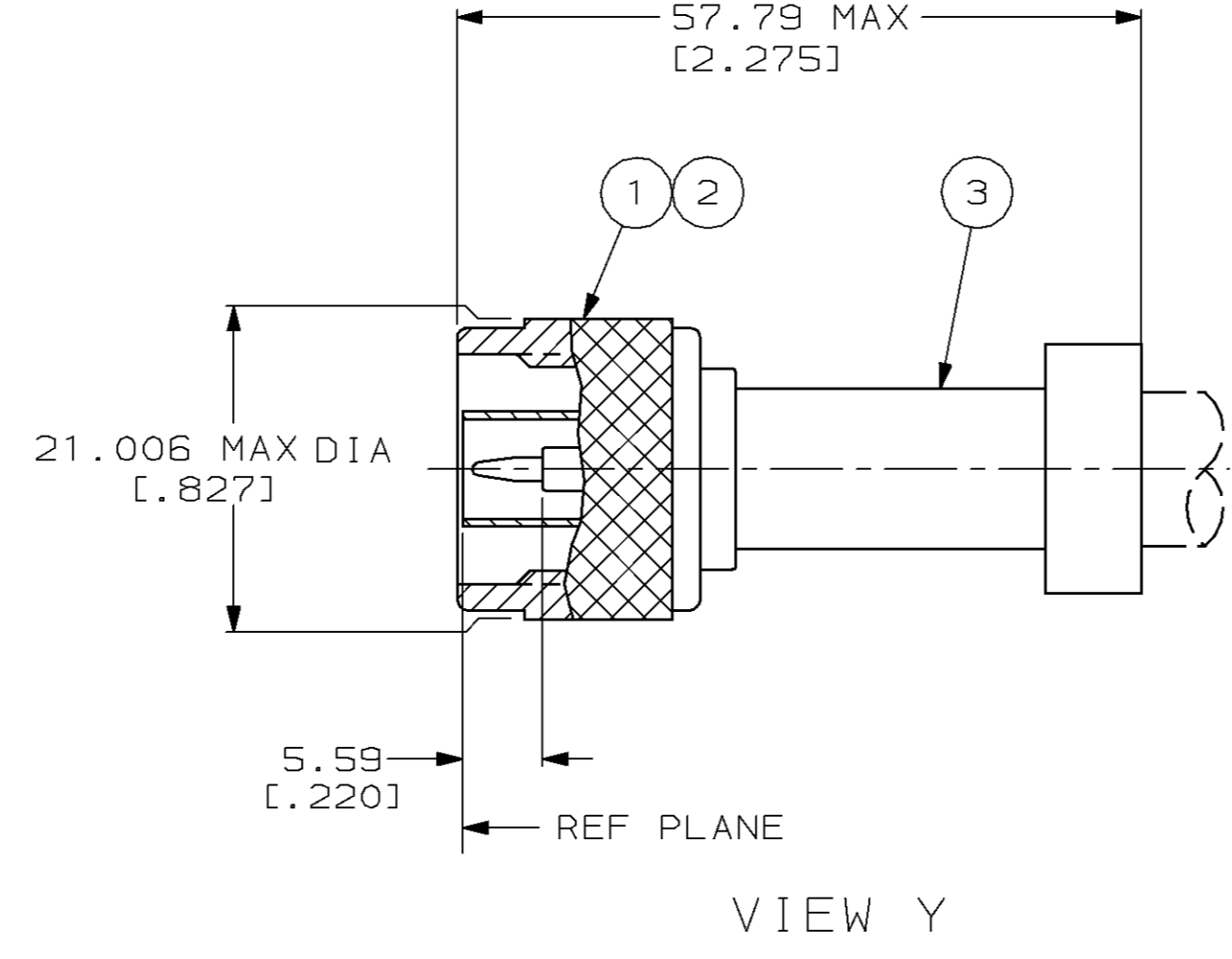
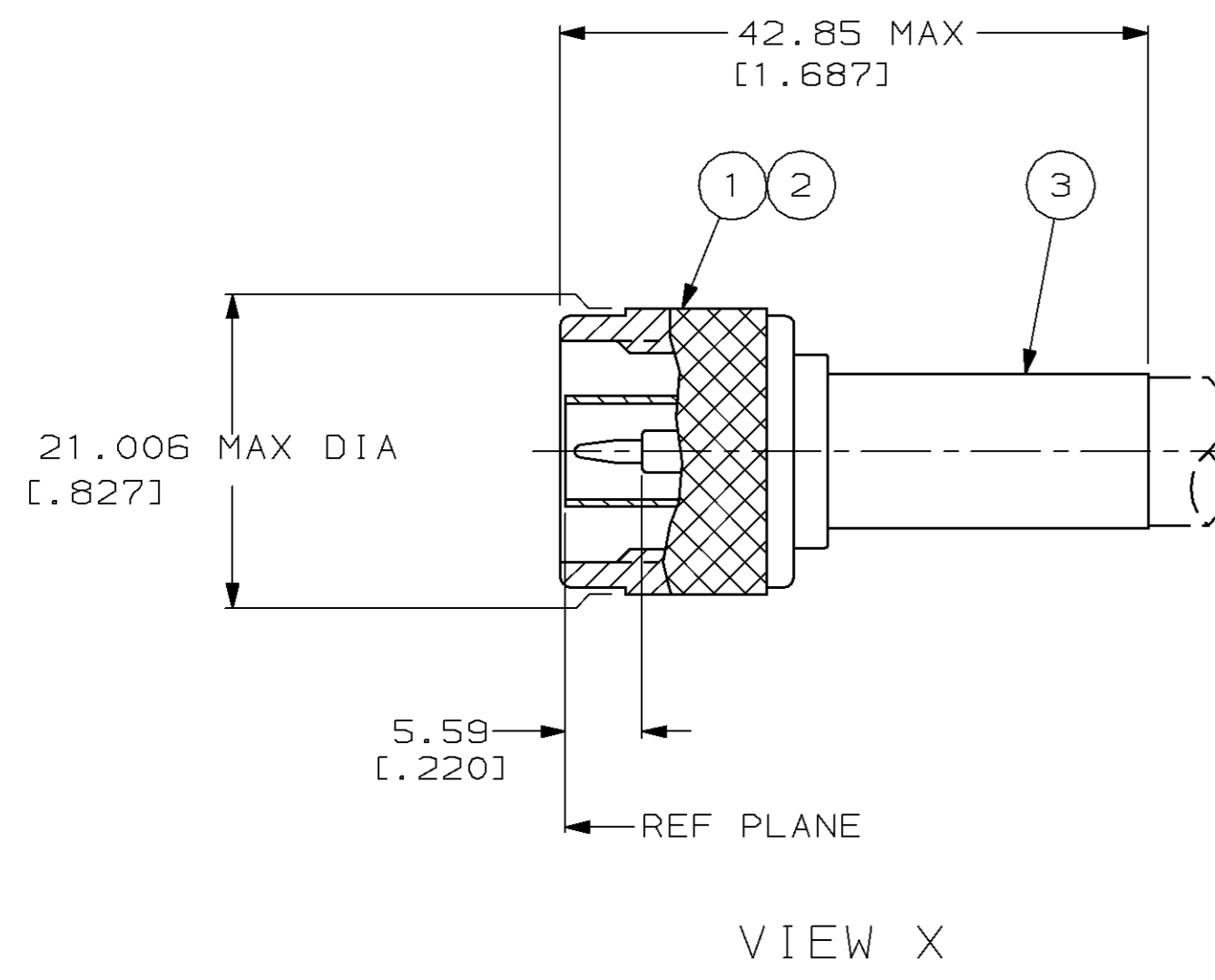


LOC	DIST	P	F	ZONE	LTR	DESCRIPTION	DATE	APPD
AJ	16				H	REV & REDRAWN AJ-4467 & 4846	9-19-90	NF
					J	REV PER AJ-4850	2-21-91	MS
					J1	ERROR 1-1 TOOL SHOULD BE 220065-1 NOT 220015-2	3-13-91	MS
					K	OBSOLETE -3 PER AJ-4211	1-24-92	BM
					L	OBSOLETE 1-1 & 1-5 PER AJ-5345	1-24-92	BM
					M	REACTIVATED 1-51692-1 PER AJ-6261	4-28-92	MS
					M1	OBSOLETE -5, -6 PER AJ-6356	12-11-92	KT
					N	REACTIVATED 1-51692-5 PER 0220-0075-94	2-4-94	JG
					P	RELEASED 1-51692-6 PER 0220-0145-96	3-3-96	JG



- 1. SEE I.S. #2028-1.
- 2. THIS PART IS RESTRICTED TO AMP FRANCE.
- 3. OBSOLETE PART NUMBER.

RECOMMENDED STRIP LENGTH

CABLE SIZE	STAMPING	CRIMPING TOOL	VIEW	E	D	C	DETAIL	③ FERRULE QTY=1	② CONTACT QTY=1	① PLUG ASSY QTY=1	PART NUMBER
RG-217/U	1-51692-6 AMP	220065-1	X	9.53 [.375]	13.89 [.547]	23.42 [.922]	A	225982-2	225788-4	225981-3	1-51692-6
				SEE SEPERATE		RESTRICTED CUSTOMER DRAWING					1-51692-5
RG-217/U	11400158 AMP	220065-1	Y	9.53 [.375]	13.89 [.547]	23.42 [.922]	A	225982-2	225788-4	225981-1	1-51692-4
RG-217	1-51692-1 AMP	220065-1	X	9.53 [.375]	13.89 [.547]	23.42 [.922]	A	225982-2	225788-4	225981-2	1-51692-1
SUPERSEDED BY 1-225092-0	-	-	-	-	-	-	-	-	-	-	51692-8
				-	-	-	A	-	-	-	51692-7
OBSOLETE RG-165	00779 M39012/01B0011 AMP & DATE CODE	220015-1	X	-	-	-	B	51713-2	51695-8	51701-1	51692-6
OBSOLETE RG-216	00779 M39012/01B0014 AMP & DATE CODE	220015-1	X	4.77 [.188]	12.70 [.500]	17.48 [.688]	A	51713-2	51695-6	51701-1	51692-5
RG-11A, 144	00779 M39012/01B0013 AMP & DATE CODE	220015-1	X	-	-	-	B	51713-2	51695-6	51701-1	51692-4
				-	-	-	-	-	-	-	51692-3
RG-213	00779 M39012/01B0007 AMP & DATE CODE	220015-1	X	-	-	-	B	51713-2	51695-2	51701-1	51692-2
RG-214	00779 M39012/01B0008 AMP & DATE CODE	220015-1	X	4.77 [.188]	12.70 [.500]	17.48 [.688]	A	51713-2	51695-2	51701-1	51692-1

DO NOT SCALE PRINT. UNLESS SPECIFIED DIMENSIONS IN mm [INCHES] TOLERANCES ON : 2 PLC DEC ± 0.41 [.016] 3 PLC DEC ± - ANGLES ± -		DR 9-18-90 N. FRITZ CHK 10-18-90 M. SNEED APPD 10-18-90 R. HENRY		PART NO	
MATERIAL -		APPD 10-18-90 M. SNEED		NAME	
FINISH -		PRODUCT SPEC 108-12019		AMP Incorporated Harrisburg, PA 17105-3608	
APPLICATION SPEC -		SIZE D	CAGE CODE 00779	DRAWING NO 51692	
WEIGHT -		SCALE 4:1	SHEET 1 OF 1		