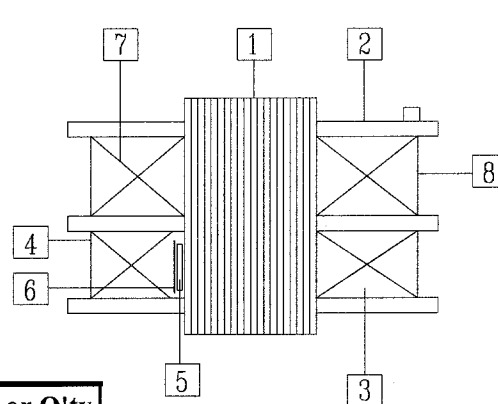
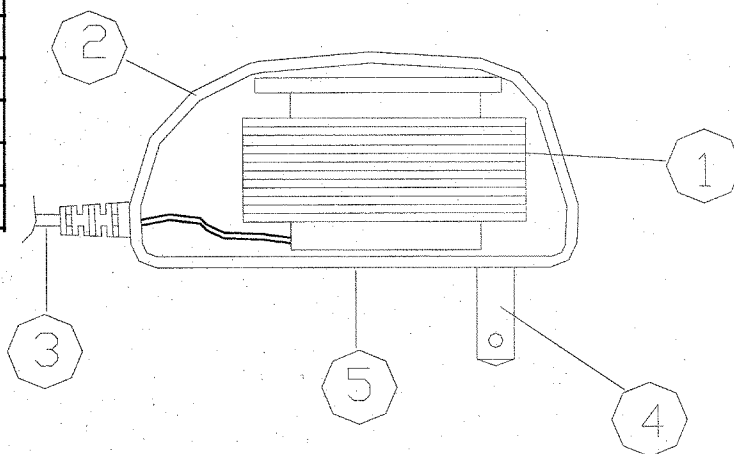




All information contained herein applies only to the above listed part number. Other versions of this part number with electrical or mechanical variations are available. Contact CUI Stack for further assistance. 9615 SW Allen Blvd., Ste. 103, Beaverton OR 97005
 800-275-4899 • 503-643-4899 • Fax: 503-643-6129 • www.cuistack.com

Parts Name	Specification	Q'ty
1. Transformer	EI- 57	1
2. Enclosure	Noryl SE-100	1
3. Output Cord	AWG# 20 XT 6 FT MIN	1
4. Blade	Ni plated brass	2
5. Name Plate	Polyester Film	1



Part Name	Material & Type	Spec or Q'ty
1. Core	Silicon Steel	0.35mm
2. Bobbin	Polybutylene Terephthalate Valox 420-SEO	0.71mm min.
3. Primary Winding	NEW Thermelt Copper Wire 2NEW Polyurethane Enameled Copper Wire	mm 0.26mm
4. Primary Outer Wrap	Mylar Tape	0.025mmx2T
5. Thermal Fuse	115°C 2A 250V	1PC
6. Over Thermal Fuse	Acetate Tape	0.18mmx1PC
7. Secondary Winding	Polyurethane Enameled Copper Wire	0.7mm
8. Secondary Outer Wrap	Mylar Tape	0.025mmx2T



All information contained herein applies only to the above listed part number. Other versions of this part number with electrical or mechanical variations are available. Contact CUI Stack for further assistance. 9615 SW Allen Blvd., Ste. 103, Beaverton OR 97005
 800-275-4899 • 503-643-4899 • Fax: 503-643-6129 • www.cuistack.com

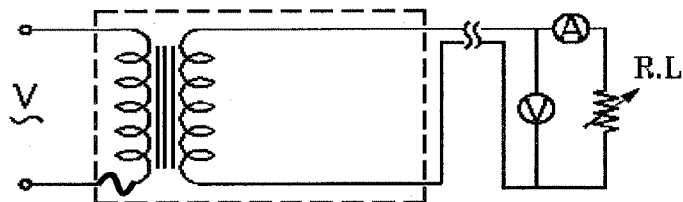
ITEM	SPEC	SAMPLE												
		1	2	3	4	5	6	7	8	9	10			
Primary Exciting Current Input 120VAC, 60Hz	100 mA max	53												
Primary Load Current Input 120VAC, 60Hz	200 mA max	182												
Secondary No Load AC Voltage	18 V ± 5 %	18.01												
Secondary AC Voltage Load 1000mA	12 V ± 5 %	12.01												
Secondary Voltage Load mA	V ± %													
Secondary Voltage Load mA	V ± %													
Secondary Voltage Load mA	V ± %													
Secondary Voltage Load mA	V ± %													
Ripple Voltage Load mA	V max													
Hi-Pot Test 1 mA for 1Min.	Pri. to Sec.	1.5 kvac	OK											
	Pri. to Core	1.5 kvac	OK											
	Sec. to Core	1 kvac	OK											

Max. Temperature: 70°C Measured By Resistance Method (Primary Winding)

Core Film: SPLIT

Core : EI- 57

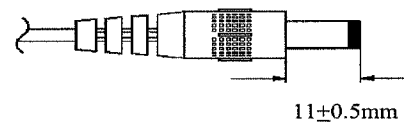
Testing Circuit:



Thermal Fuse: 115°C

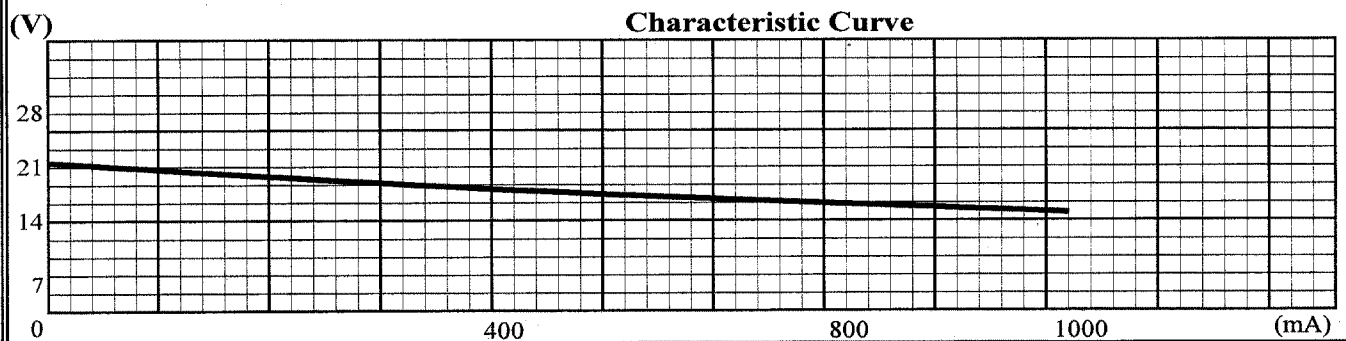
Output Plug Drawing:

PLUG: 5.5X2.1mm



Output conductor length: 6 ft MIN. (AWG# 20 XT)

Input conductor length: ft MIN. (AWG#)





All information contained herein applies only to the above listed part number. Other versions of this part number with electrical or mechanical variations are available. Contact CUI Stack for further assistance. 9615 SW Allen Blvd., Ste. 103, Beaverton OR 97005
800-275-4899 • 503-643-4899 • Fax: 503-643-6129 • www.cuistack.com

