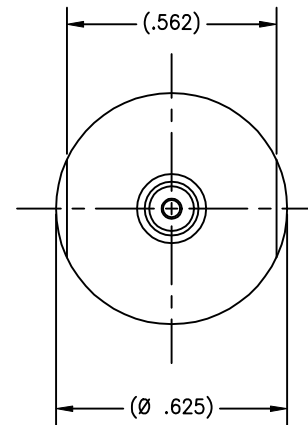
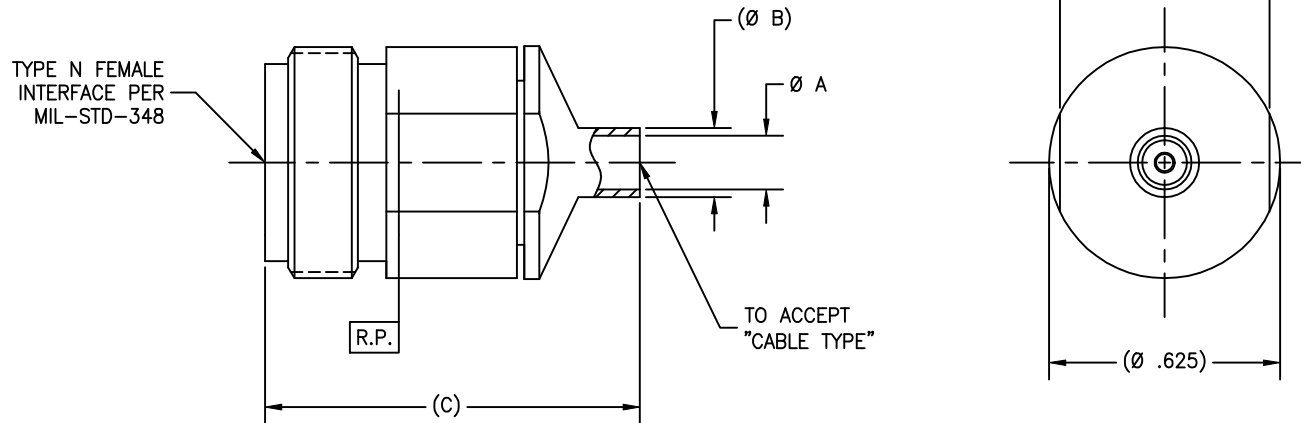


P/N	APPLICABLE NOTE(S)	Ø A	(Ø B)	(C)	CABLE TYPE
-1	1,2	.143 MIN	.185	1.035	Ø .141 S/R
-1SF	1,2	.143 MIN	.185	1.035	Ø .141 S/R
-2	1,2	.088 MIN	.185	1.035	Ø .085 S/R
-2SF	1,2	.088 MIN	.185	1.035	Ø .085 S/R
-3	1,2	.143 MIN	.185	1.035	Ø .141 MICROPOROUS
-3SF	1,2	.143 MIN	.185	1.035	Ø .141 MICROPOROUS
-4	1,2	.253 MIN	.340	1.100	Ø .250 S/R
-4SF	1,2	.253 MIN	.340	1.100	Ø .250 S/R

REVISIONS				
ZONE	REV	DESCRIPTION	DATE	BY
-	-	-	-	-



DRAWING NO.	8010	REV.	-
-------------	------	------	---

NOTES(S):

1. MATERIAL(S):

- 1.1 BODY & CABLE INSERT: 303 SST PER ASTM A-582.
- 1.2 CENTER CONDUCTOR: BeCu ALLOY C173 PER ASTM B-196.
- 1.3 INSULATOR: TEFLON PER ASTM D-1710.

2. FINISH(ES):

- 2.1 BODY: (FOR SF's) PASSIVATED PER ASTM A-967.
(FOR OTHER's) GOLD PLATE PER ASTM B-488 OVER NICKEL PLATE PER AMS-QQ-N-290.

- 2.2 CENTER CONDUCTOR & CABLE INSERT: GOLD PLATE PER ASTM B-488 OVER NICKEL PLATE PER AMS-QQ-N-290.

- 2.3 INSULATOR: NONE

NOTICE

THIS DRAWING EMBODIES A CONFIDENTIAL PROPRIETARY DESIGN ORIGINATED BY TENSOLITE COMPANY AND ALL DESIGN, MANUFACTURING, REPRODUCTION, USE AND SALE RIGHTS REGARDING THE SAME ARE EXPRESSLY RESERVED. IT IS SUBMITTED UNDER A CONFIDENTIAL RELATIONSHIP FOR A SPECIFIED PURPOSE AND THE RECIPIENT AGREES BY ACCEPTING THIS DRAWING NOT TO SUPPLY OR DISCLOSE ANY INFORMATION REGARDING IT TO ANY UNAUTHORIZED PERSON TO INCORPORATE IN OTHER PROJECTS ANY SPECIAL FEATURES RELIANT TO THIS DESIGN. ALL PATENT RIGHTS HERETO ARE EXPRESSLY RESERVED BY TENSOLITE COMPANY, LONG BEACH, CALIFORNIA 90815.

TOLERANCES AND NOTES EXCEPT AS NOTED DIMENSIONS ARE IN INCHES.
LINEAR .XX ±.015
.XXX ±.000 ANGULAR ± 1/2°
FRACTION ± 1/32

- 1. MACHINE FINISH: $\sqrt{32}$ RMS
- 2. BREAK ALL SHARP EDGES .003 MAX.
- 3. MACHINED FILLETS .005 MAX.
- 4. MACHINED SURFACES SQUARE TO RESPECTIVE AXIS WITHIN .005 INCHES PER INCH.
- 5. MACHINED DIAMETERS CONCENTRIC WITHIN .002 T.I.R.
- 6. DIMENSIONS TO BE MET BEFORE PLATING.
- 7. CHAMFER ALL THREADS 45°.
- 8. THREADS PER 14-28
- 9. REMOVE FRAYED EDGES ON TEFLON.
- 10. REMOVE ALL BURRS.

SEE NOTES	-	SEE NOTES	-
MATERIAL	SIZE	SPECIFICATION	PROCUREMENT
NEXT ASSY	Tensolite HIGH PERFORMANCE CABLES & INTERCONNECT SYSTEMS Long Beach, California 90815		
APPROVAL INITIALS	DATE	TITLE	
DRAWN BY R.C.	04.09.02	TYPE N FEMALE STRAIGHT TO SEMI-RIGID CABLE	
CHECKED		SCALE	SUB-DIRECTORY/FILENAME
QUALITY		4/1	OL
ENGINEERING	ATV	10.31.02	SHEET 1 OF 1
SIZE	CAGE CODE	DRAWING NO.	REV.
C	30990	8010	-