

Customer Information Sheet

DRAWING No.: D8XXX-XX

SHEET 2 OF 2

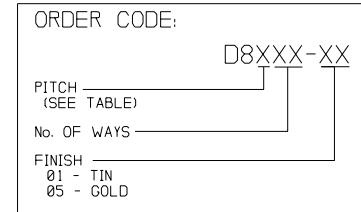
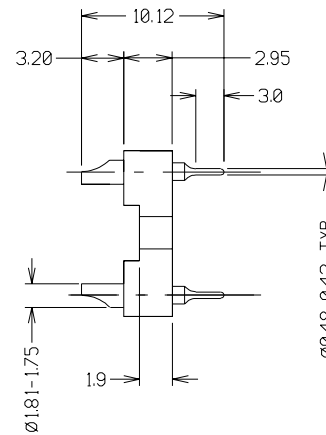
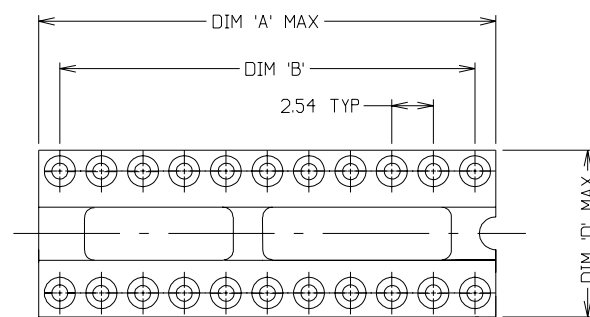
IF IN DOUBT - ASK

©

NOT TO SCALE

THIRD ANGLE PROJECTION

ALL DIMENSIONS IN mm



- NOTES:
1. RECOMMENDED MOUNTING HOLE SIZE = $\varnothing 0.80$ mm.
 2. STYLE REFERS TO NUMBER OF CENTRE BARS ONLY.

ASSEMBLY PART No.	No. OF WAYS	STYLE (SEE NOTE 2)	DIM 'A'	DIM 'B'	DIM 'C'	DIM 'D'
D8206-XX	6	1	7.62	5.08	7.62	10.16
D8208-XX	8	1	10.16	7.62	7.62	10.16
D8214-XX	14	1	17.78	15.24	7.62	10.16
D8216-XX	16	1	20.32	17.78	7.62	10.16
D8218-XX	18	1	22.86	20.32	7.62	10.16
D8220-XX	20	2	25.40	22.86	7.62	10.16
D8222-XX	22	2	27.94	25.40	10.16	12.7
D8922-XX	22	2	27.94	25.40	7.62	10.16
D8224-XX	24	2	30.48	27.94	15.24	17.78
D8724-XX	24	2	30.48	27.94	10.16	12.70
D8924-XX	24	1	30.48	27.94	7.16	10.16
D8228-XX	28	2	35.62	33.02	15.24	17.78
D8232-XX	32	2	40.64	38.10	15.24	17.78
D8240-XX	40	3	50.80	48.26	15.24	17.78
D8248-XX	48	3	60.86	58.42	22.86	25.28
D8948-XX	48	3	60.86	58.42	15.24	17.78
D8264-XX	64	3	81.28	78.74	22.86	25.28

SPECIFICATION:

MATERIAL:
MOULDING = GLASS-FILLED POLYESTER UL94V-0
CONTACT SHELL = BRASS

FINISH:
01 = 4 μ TIN
05 = 0.1 μ GOLD

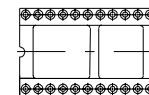
ELECTRICAL:
CURRENT RATING = 1 AMP MAX
VOLTAGE RATING = 100V AC, 150V DC
CONTACT RESISTANCE = 10 MILLIOHMS MAX
INSULATION RESISTANCE = 10,000 MEGOHMS MIN
DIELECTRIC STRENGTH = 1,000V AC MIN

ENVIRONMENTAL:
OPERATING TEMPERATURE = -55°C TO +125°C
FOR COMPLETE SPECIFICATION, SEE COMPONENT SPECIFICATION C004XX (LATEST ISSUE).

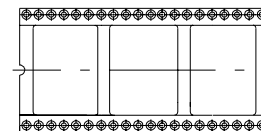
SEE NOTE 2



STYLE '1'



STYLE '2'



STYLE '3'

6	16.12.99	5129
ISS.	DATE	C/NOTE
APPROVED:		
CHECKED:		
DRAWN: J. KEIR		
CUSTOMER REF.:		
ASSEMBLY DRG:		

HARWIN

HARWIN INC
U.S.A.
TEL: (812) 285 0055
FAX: (812) 285 0056

HARWIN PLC
U.K.
TEL: 01705 370451
FAX: 01705 314590

HARWIN PTE
SINGAPORE
TEL: 65 7794909
FAX: 65 7793868

THIS DRAWING AND ANY INFORMATION OR DESCRIPTIVE MATTER SET OUT HEREON ARE CONFIDENTIAL AND COPYRIGHT PROPERTY OF THE HARWIN GROUP AND MUST NOT BE DISCLOSED, LOANED, COPIED OR USED FOR MANUFACTURING, TENDERING OR FOR ANY OTHER PURPOSE WITHOUT THEIR WRITTEN PERMISSION.

TOLERANCES
X. = ± 1 mm
X.X = ± 0.25 mm
X.XX = ± 0.10 mm
X.XXX = ± 0.01 mm
ANGLES = $\pm 1^\circ$
UNLESS STATED

MATERIAL:
SEE ABOVE

FINISH: SEE ABOVE

S/AREA: mm²

TITLE:
I.C. HEADER ASSY
(SOLDER CUP)

DRAWING NUMBER:
D8XXX-XX

SHT
2
OF
2