

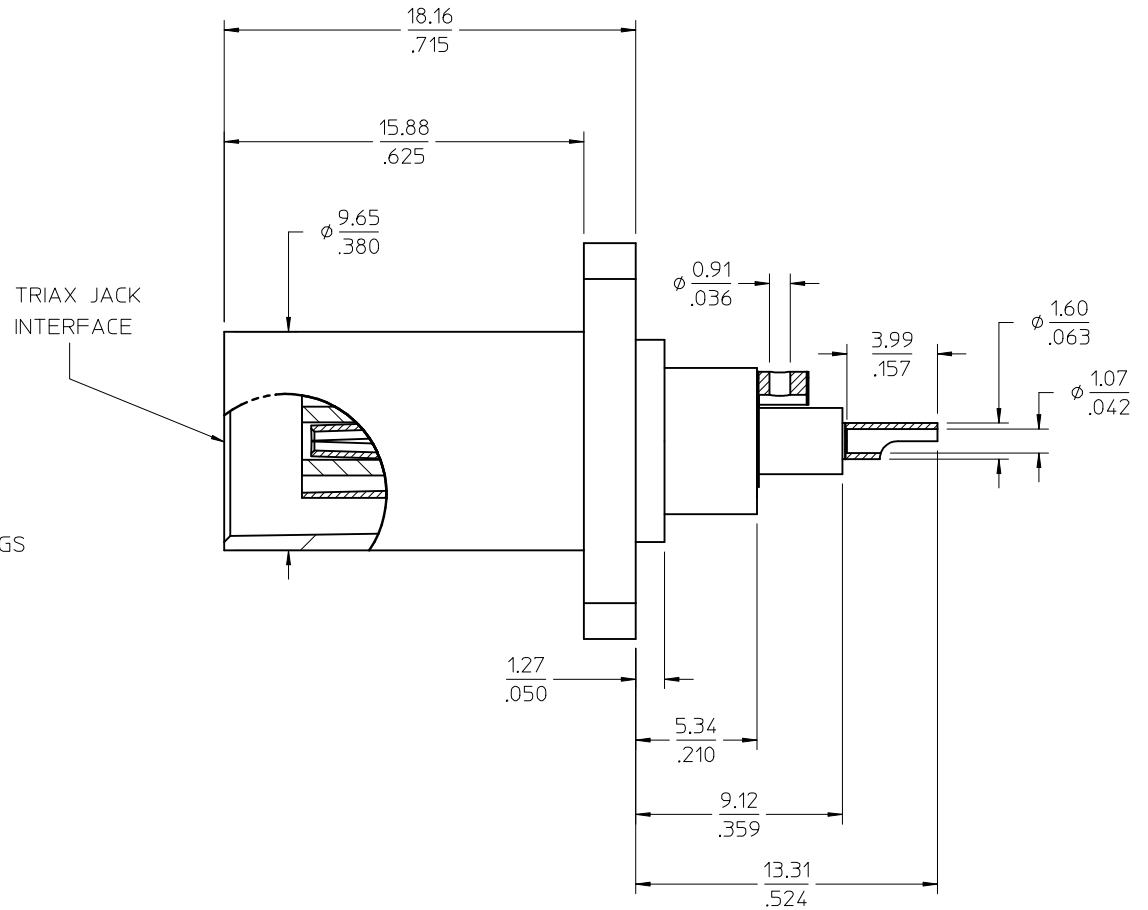
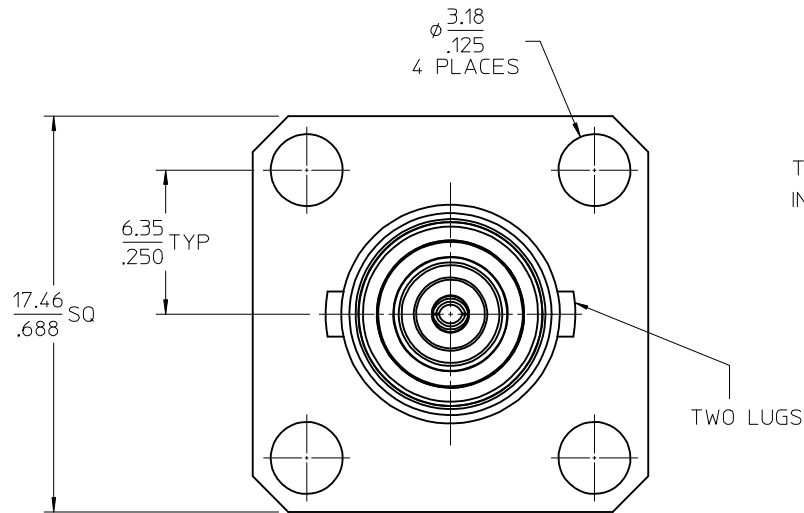
MATERIALS AND FINISHES:

BODY, RING: BRASS
PLATED NICKEL

INSULATORS: TEFLON

INTERMEDIATE CONTACT: BRASS
PLATED GOLD

CENTER CONTACT: BERYLLIUM COPPER
PLATED GOLD



PART # 73415-1760

CHG: NEW RELEASE EC NO: URF2013-0129 DRWN: JWIENER CHKD: SSS APPR: JWIENER	2012/09/04 2012/09/04 2012/09/26	DESCRIPTION	QUALITY SYMBOLS	GENERAL TOLERANCES (UNLESS SPECIFIED)		DIMENSION STYLE	SCALE	DESIGN UNITS	THIRD ANGLE PROJECTION
				mm	INCH	MM/IN	METRIC		
A	REV	DESCRIPTION	QUALITY SYMBOLS	4 PLACES	± ---	± ---	DRAWN BY JWIENER	DATE 2012/09/04	TITLE TRIAx JACK 2 LUG 4H FLG SOLDER POT TRIAx-BJ EWR-5035
				3 PLACES	± ---	± ---		CHECKED BY SSS	
				2 PLACES	± ---	± ---	APPROVED BY JWIENER	DATE 2012/09/26	molex
				1 PLACE	± ---	± ---	MATERIAL NO.	DOCUMENT NO. SD-73415-176	
				0 PLACE	± ---	± ---	SIZE C	THIS DRAWING CONTAINS INFORMATION THAT IS PROPRIETARY TO MOLEX INCORPORATED AND SHOULD NOT BE USED WITHOUT WRITTEN PERMISSION	SHEET NO. 1 OF 1