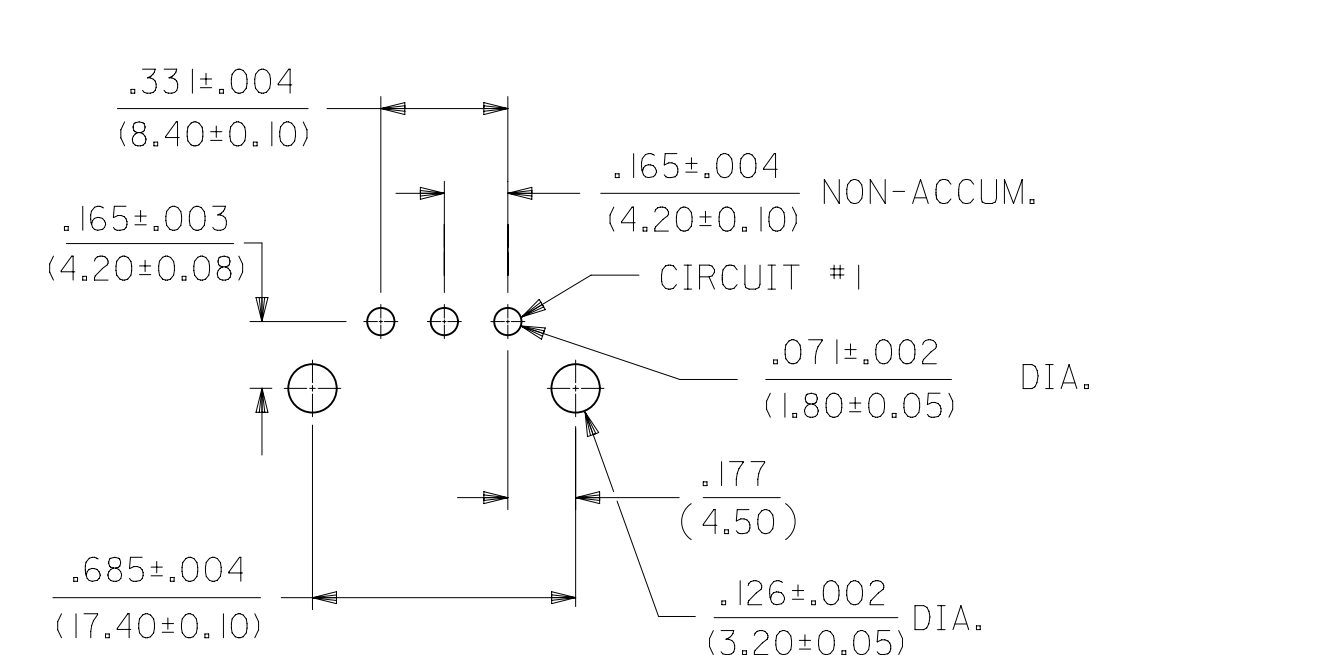
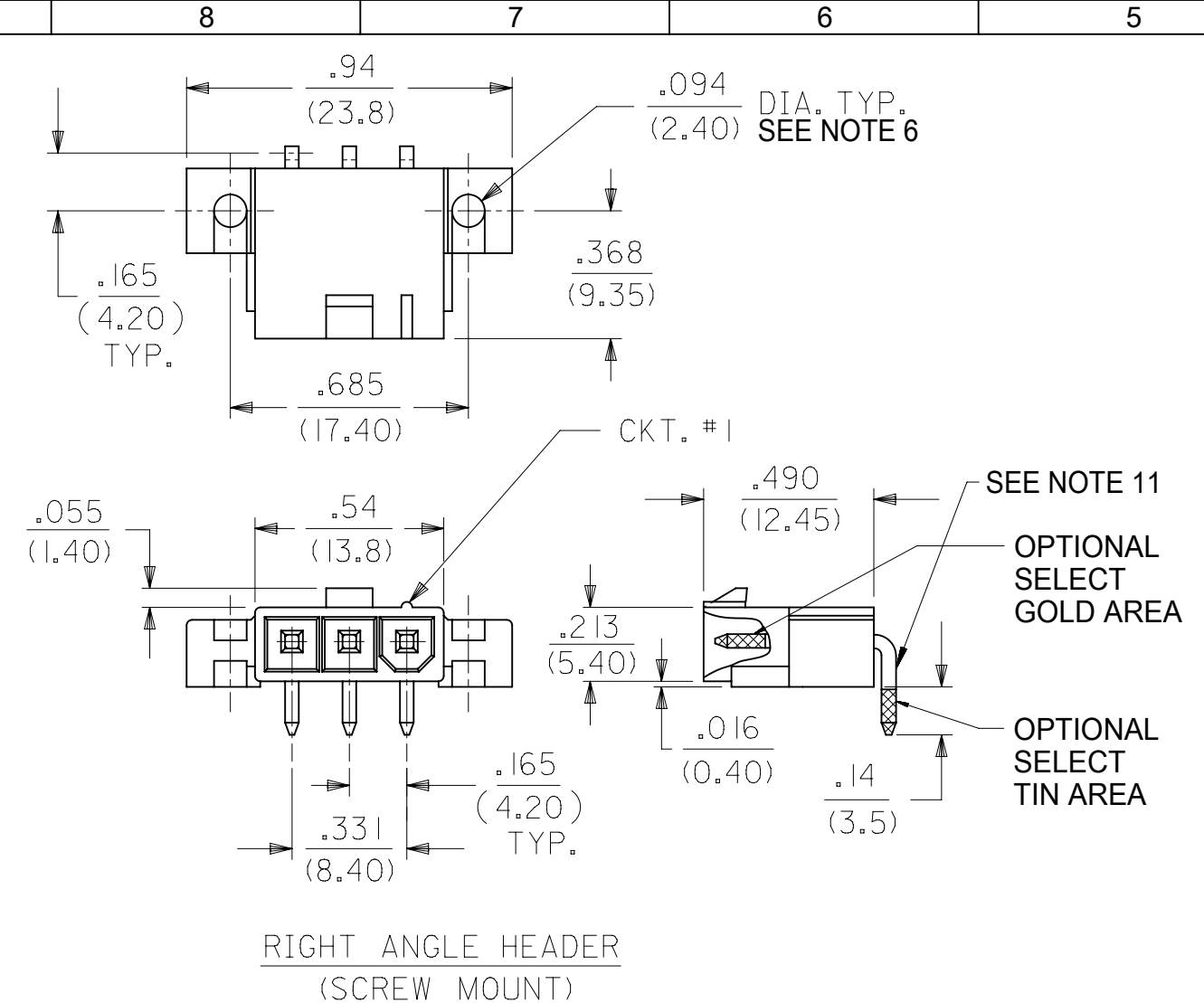


PART NUMBER	ENGINEERING NUMBER	MOUNT OPTION	PLATING	MAT'L.	PACKAGING
39-31-1032	5569-03A4-BL	4	BLANK	BL	BULK
39-30-3035	5569-03A4	4	BLANK	BLANK	
39-30-4033	5569-03A4GS2	4	15 GOLD	BLANK	
39-30-3037	5569-03A4G	4	30 GOLD	BLANK	
39-30-3032	5569-03A3-210	3	BLANK	210	TRAY
39-30-3034	5569-03A3G-210	3	30 GOLD		
39-30-3036	5569-03A4-210	4	BLANK		BULK
39-30-4030	5569-03A4G2-210	4	15 GOLD		
39-30-3038	5569-03A4G-210	4	30 GOLD	210	
NO E.D.P.	5569-03A5G	5	30 GOLD	BLANK	
NO E.D.P.	5569-03A5MS	5	TIN/NICKEL	BLANK	
NO E.D.P.	5569-03A5G-210	5	30 GOLD	210	
39-34-3037	5569-03A5MS-210	5	TIN/NICKEL	210	
46999-0700	5569-03A8MS-130	8	TIN/NICKEL	130	TRAY

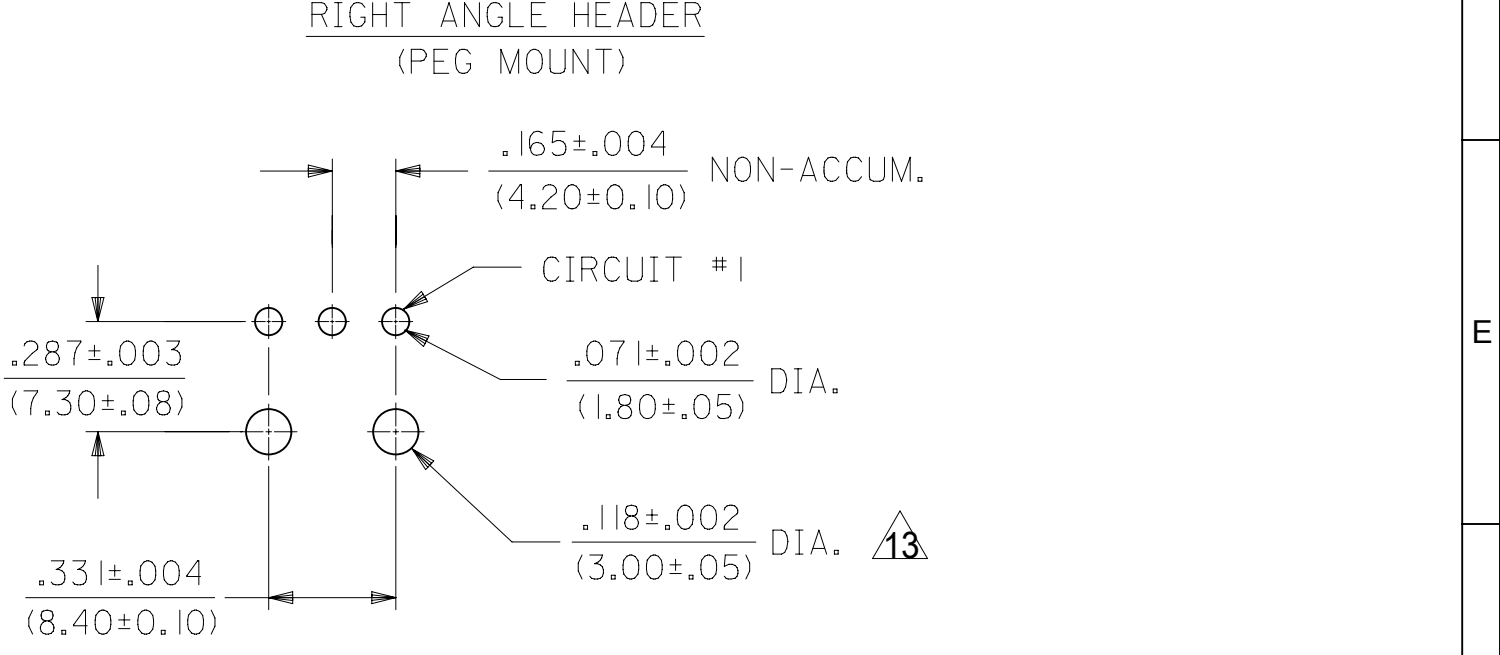
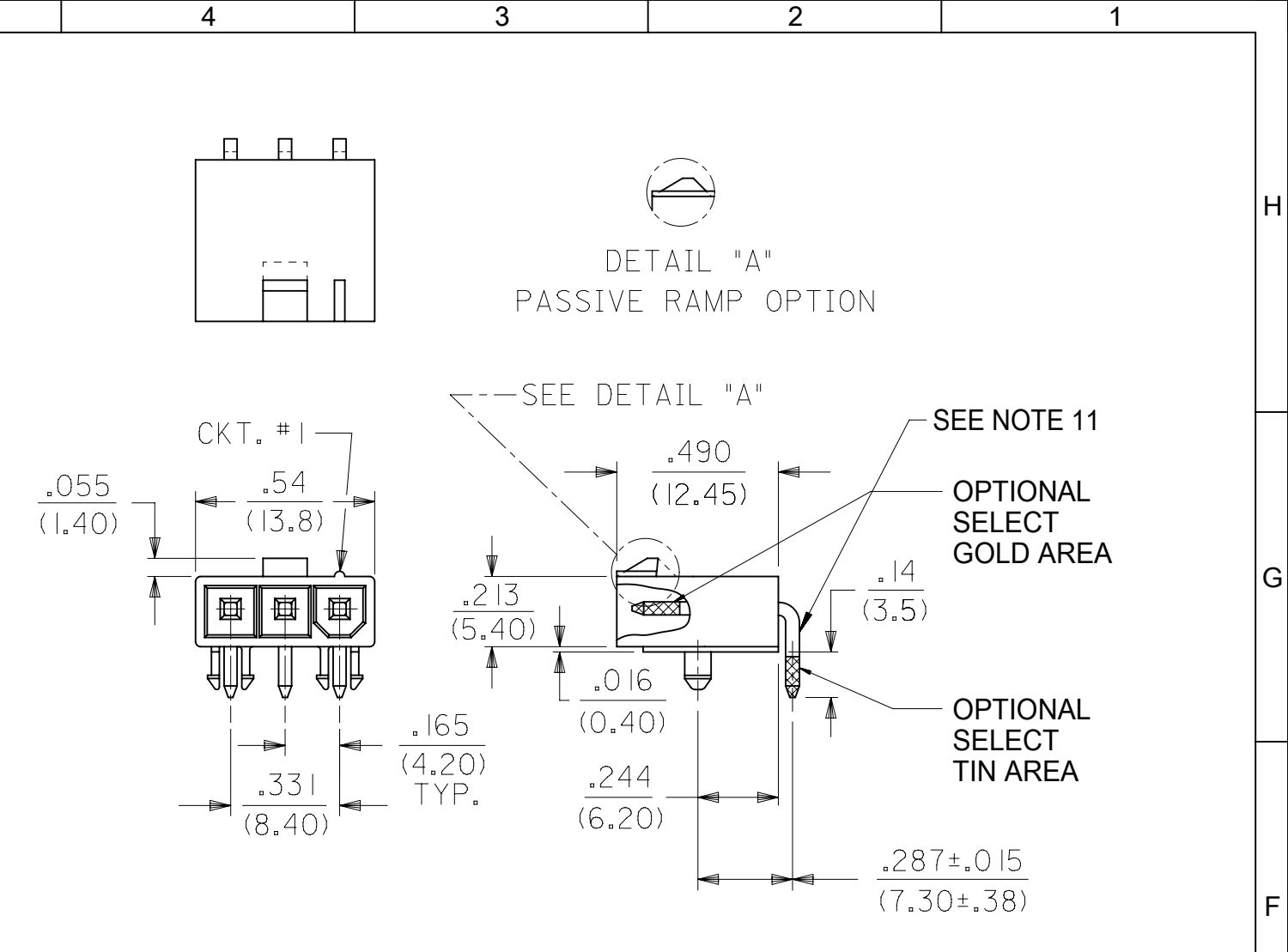


RIGHT ANGLE HEADER (SCREW MOUNT)

RIGHT ANGLE HEADER (PEG MOUNT)

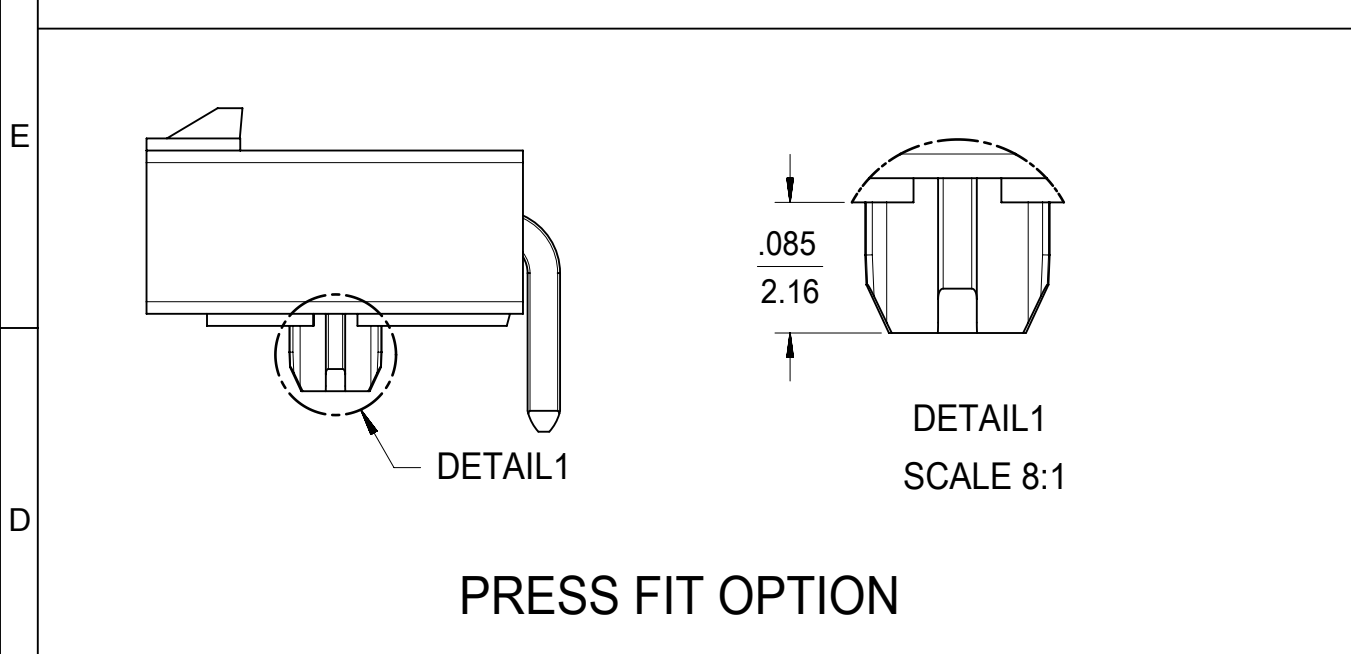
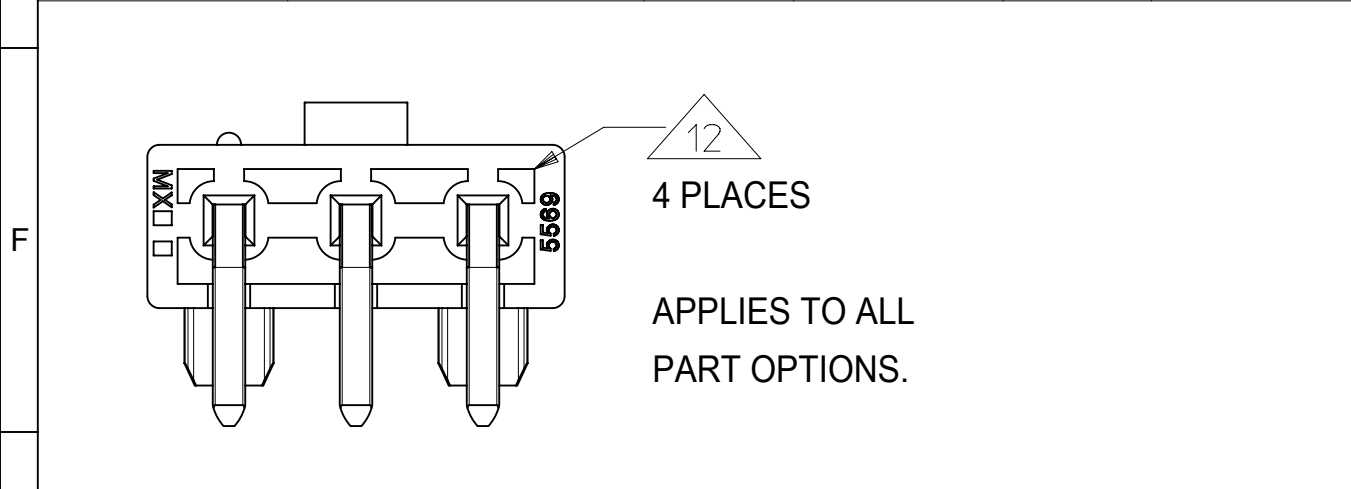
RECOMMENDED HOLE LAYOUT FOR .070/(1.78) MAX. THICK P.C. BOARD VIEWED FROM COMPONENT SIDE

RECOMMENDED HOLE LAYOUT FOR .070/(1.78) MAX. THICK P.C. BOARD VIEWED FROM COMPONENT SIDE



RIGHT ANGLE HEADER (PEG MOUNT)

RECOMMENDED HOLE LAYOUT FOR .070/(1.78) MAX. THICK P.C. BOARD VIEWED FROM COMPONENT SIDE



NOTES:

1) HOUSING MATERIAL:
 "BLANK" = NYLON 6/6, U.L. 94V-2, COLOR: NATURAL.
 130 = LCP, U.L. 94V-0, COLOR: BLACK
 IEC 60335-1, 5TH EDITION GLOW WIRE CAPABLE
 210 = NYLON 6/6, U.L. 94V-0, COLOR: NATURAL.
 BL = NYLON 6/6, U.L. 94V-2, COLOR: BLACK.
 TERMINAL MATERIAL: BRASS, ALLOY

2) TERMINAL PLATING:
 "BLANK," MS - .000100/(0.00254) MIN. MATTE TIN OVER .000050/(0.00127) MIN. NICKEL
 G - .000030/(.00076) MIN. SELECT GOLD, .000100/(.00254) MIN. SELECT MATTE TIN OVER .000050/(.00127) MIN. NICKEL OVERALL.
 G2,GS2 - .000015/(.00038) MIN. SELECT GOLD, .000100/(.0254) MIN. SELECT MATTE TIN OVER .000050/(.00127) MIN. NICKEL OVERALL.

3) PRODUCT SPECIFICATION: PS-5556-001

4) PACKAGING SPECIFICATION: BULK PACK PER PK-5569-002
 TRAY PACK PER PK-5569-005

5) PART MATES WITH MOLEX RECEPTACLE #5557.

6) PART IS DESIGNED FOR USE WITH #4 OR M3 SELF TAPPING SCREWS.

7) DISCOLORATION IN THE BANDOLIER CARRIER AREA OF THE PIN IS INHERENT TO THE PLATING PROCESS AND IS DUE TO THE MASKING EFFECT OF THE CARRIER. THIS DISCOLORATION IS IN A NON-FUNCTIONAL AREA OF THE PIN AND WILL NOT AFFECT THE PERFORMANCE OF THE HEADER ASSEMBLY.

8) CONNECTORS ARE NOT BE BE MATED OR UNMATED WHILE CIRCUITS ARE LIVE.

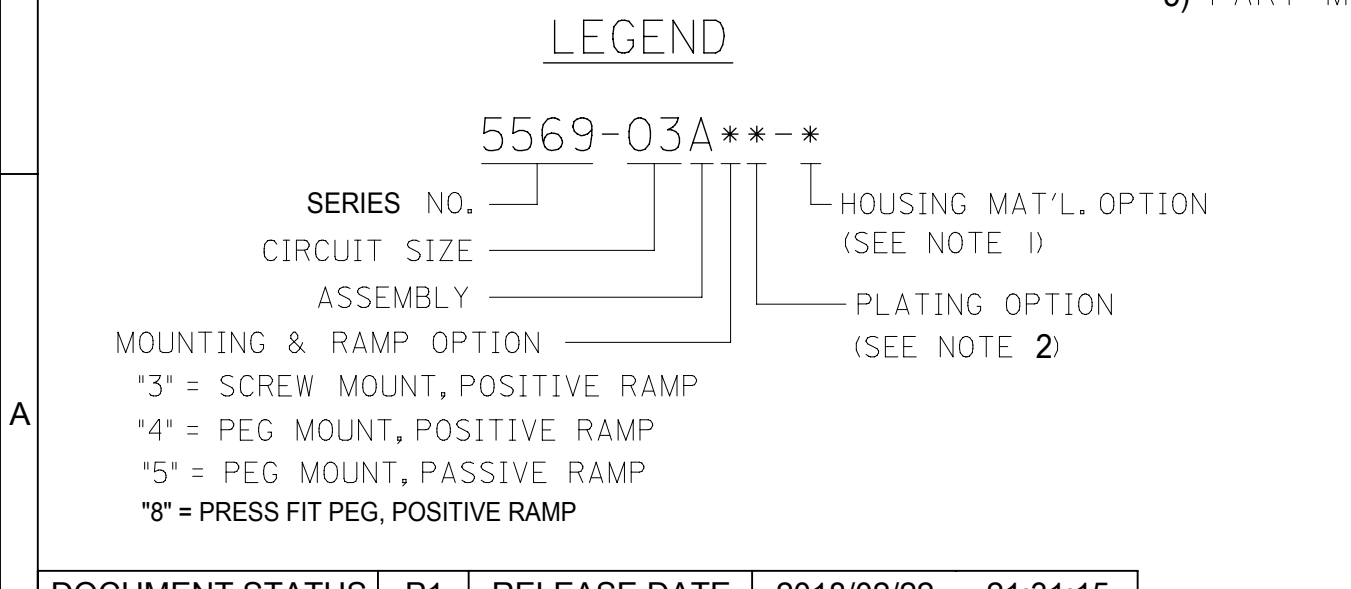
9) PARTS ARE NOT DESIGNED FOR CURRENT SHARING.

10) PART CONFORMS TO CLASS "B" REQUIREMENTS OF "COSMETIC SPECIFICATION PS-45499-002."

11) FORMING MARKS ON PINS ARE ACCEPTABLE

12) CORNER CORE-OUTS ARE OPTIONAL AND MAY OR MAY NOT BE PRESENT

13) HOLE TOLERANCE FOR PART NUMBER 46999-0700 IS ±.001 / ±0.03



SYMBOLS	THIS DRAWING CONTAINS INFORMATION THAT IS PROPRIETARY TO MOLEX ELECTRONIC TECHNOLOGIES, LLC AND SHOULD NOT BE USED WITHOUT WRITTEN PERMISSION
IN/MM	SCALE 10:1
GENERAL TOLERANCES (UNLESS SPECIFIED)	
4 PLACES ±	MM INCH
3 PLACES ±	± 0.01
2 PLACES ±	0.25 ± 0.015
1 PLACE ±	0.38 ±
0 PLACES ±	±
ANGULAR TOL ± 3.0°	
DRAFT WHERE APPLICABLE MUST REMAIN WITHIN DIMENSIONS	
THIRD ANGLE PROJECTION	DRAWING C-SIZE
SERIES 5569	

EC NO: 172489
 DRWN: ANESSER 2018/01/26
 CHK'D: JBELL 2018/02/20
 APPR: FSMITH 2018/02/22

INITIAL REVISION:
 DRWN: GEP 1990/09/20
 APPR: FSMITH 2014/05/16

DOCUMENT NUMBER: 55690304-SD
 DOC TYPE: PSD
 DOC PART: 000
 REVISION: A

RIGHT ANGLE HEADER ASSY,
 3 CKT., SINGLE ROW, MINI-FIT JR. SERIES

PRODUCT CUSTOMER DRAWING

MATERIAL NUMBER: SEE CHART
 CUSTOMER: GENERAL MARKET
 SHEET NUMBER: 1 OF 1

Mouser Electronics

Authorized Distributor

Click to View Pricing, Inventory, Delivery & Lifecycle Information:

[Molex:](#)

[39-34-3037](#)